

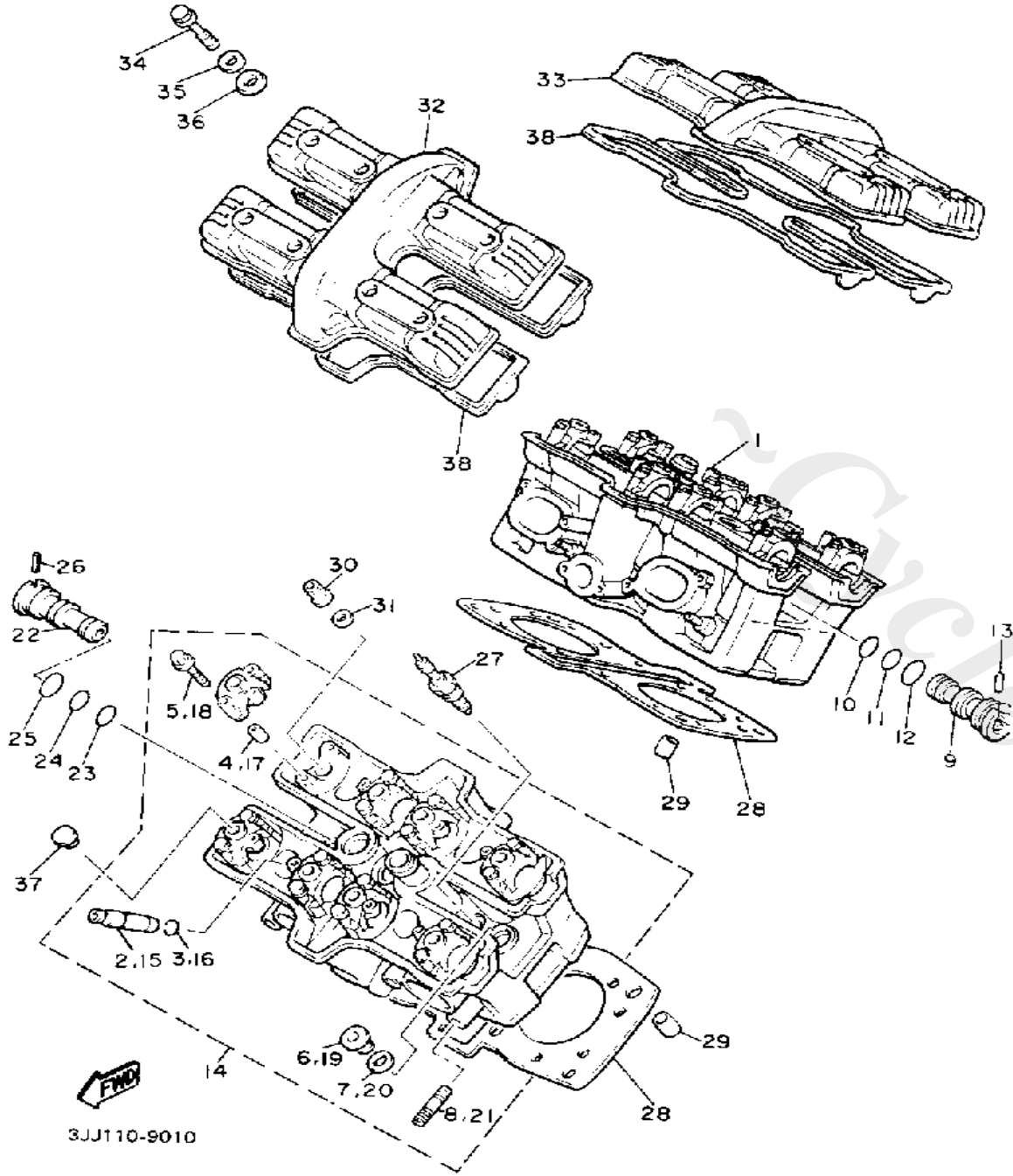
**YAMAHA**

**GENUINE**

**PARTS CATALOGUE**

**MOTORCYCLE**

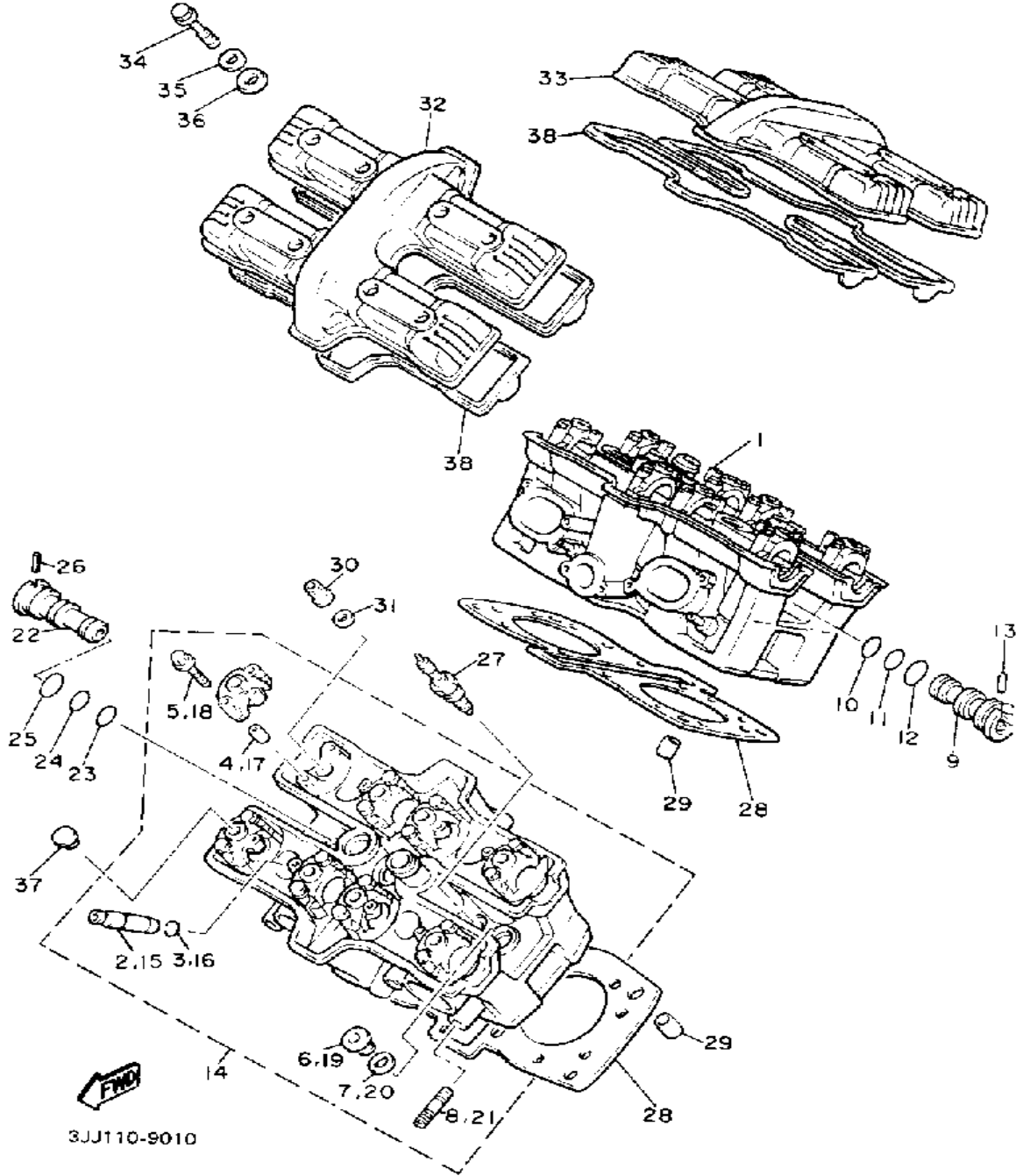
# CYLINDER HEAD



Ref. No.	Part Number	Description	Qty	Remarks
1	1NL-11110-00-00	CYLINDER HEAD ASS'Y	1	
2	26H-11133-10-00	. GUIDE, INTAKE VALVE	1	
3	93440-12117-00	. CIRCLIP	8	
4	99510-08016-00	. PIN, DOWEL	16	
5	90105-06153-00	. BOLT, WASHER BASED	16	
6	90340-20090-00	. PLUG, STRAIGHT SCREW	3	
7	90201-195F4-00	. WASHER, PLATE	3	
8	95911-08625-00	. BOLT, STUD	4	
9	26H-12469-01-00	JOINT 1	1	
10	93210-16629-00	O-RING	1	
11	93210-18322-00	O-RING	1	
12	93210-21631-00	O-RING	1	
13	90254-03008-00	PIN, SPRING	1	
14	1NL-11120-00-00	CYLINDER. HEAD ASS'Y 2	1	
15	26H-11133-10-00	. GUIDE, INTAKE VALVE	8	
16	93440-12117-00	. CIRCLIP	8	
17	99510-08016-00	. PIN, DOWEL	16	
18	90105-06153-00	. BOLT, WASHER BASED	16	
19	90340-20090-00	. PLUG, STRAIGHT SCREW	3	
20	90201-195F4-00	. WASHER, PLATE	3	
21	95911-08625-00	. BOLT, STUD	4	
22	26H-12469-01-00	JOINT 1	1	
23	93210-16629-00	O-RING	1	
24	93210-18322-00	O-RING	1	
25	93210-21631-00	O-RING	1	
26	90254-03008-00	PIN, SPRING	1	
27	NGK-DPR8E-A9-00	NGK DPR8EA-9 10PK	4	UR
28	1NL-11181-00-00	GASKET, CYLINDER HEAD 1	2	
29	99510-14016-00	PIN, DOWEL	4	

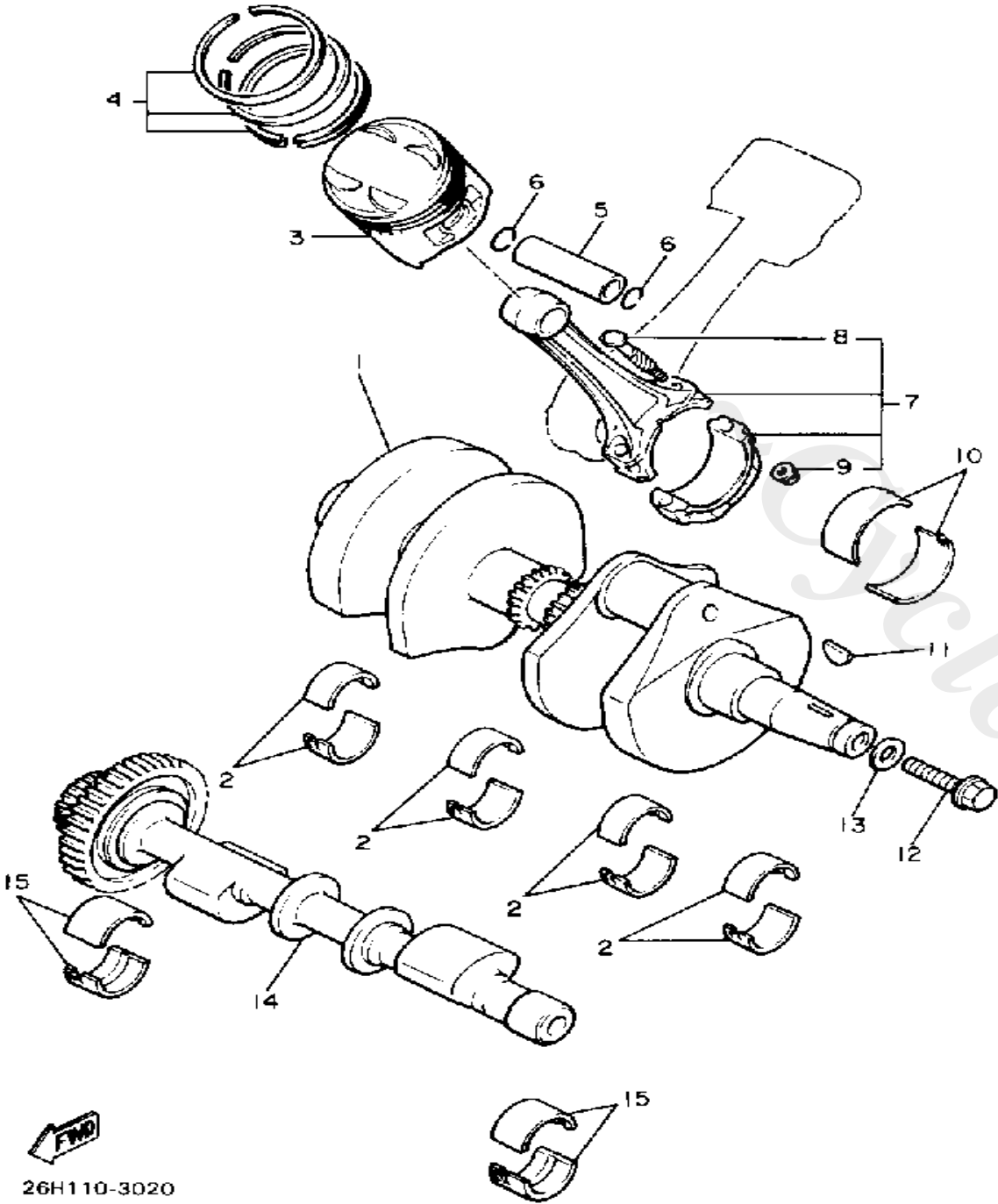
CONTINUED ON NEXT FRAME ➤

# CYLINDER HEAD



Ref. No.	Part Number	Description	Qty	Remarks
30	90179-10414-00	NUT .....	16	
31	90201-102G9-00	WASHER, PLATE .....	16	
32	26H-11191-01-00	COVER, cyl. head 1 .....	1	
33	26H-11191-01-00	COVER, cyl. head 1 .....	1	
34	90109-064F0-00	BOLT .....	16	
35	90209-11262-00	WASHER .....	16	
36	2GH-1111G-00-00	RUBBER, MOUNT 1 .....	16	
37	90338-10150-00	PLUG .....	16	
38	26H-11193-00-00	GASKET, HEAD COVER 1 .....	2	

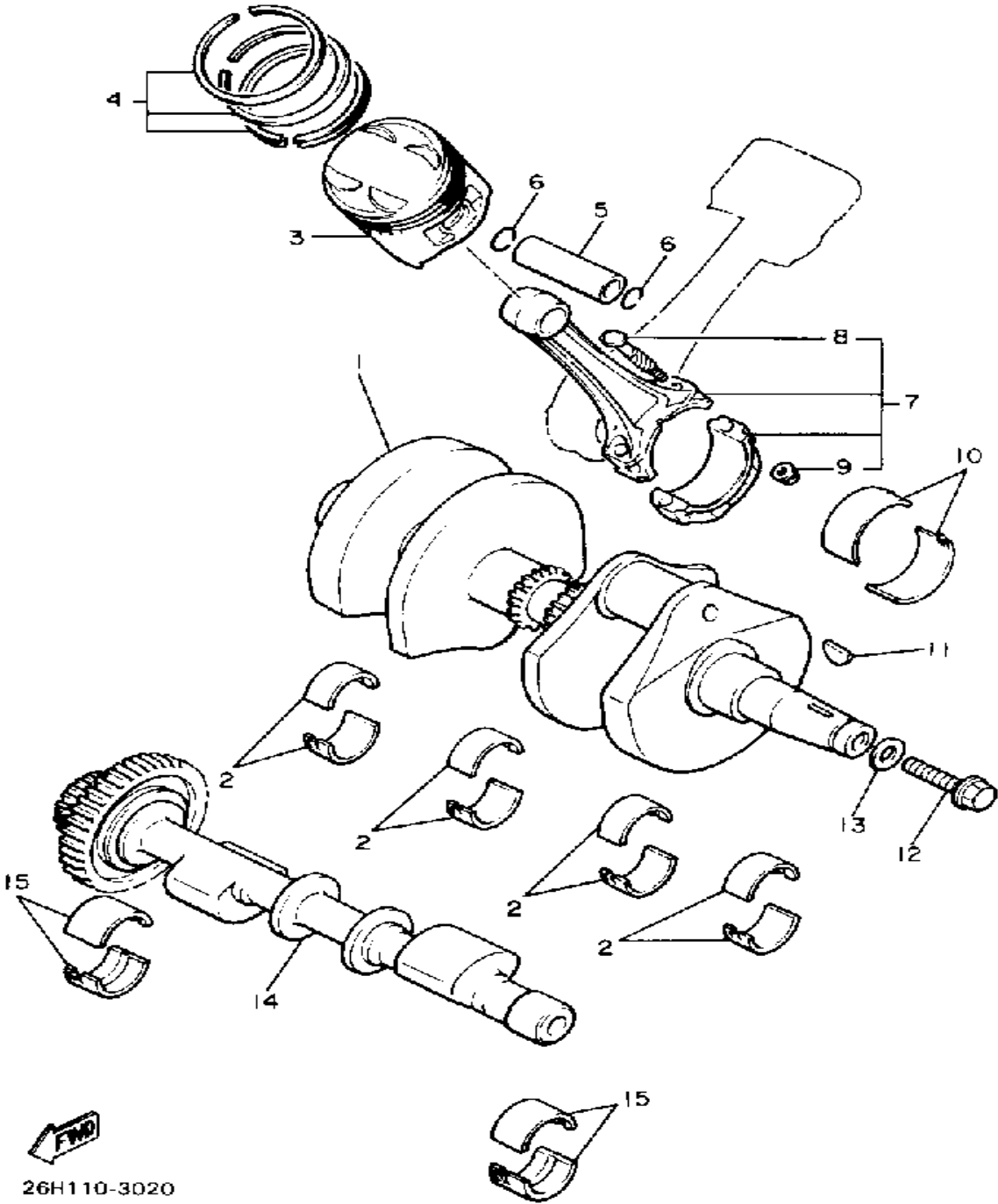
# CRANKSHAFT - PISTON



Ref. No.	Part Number	Description	Qty	Remarks
1	1FK-11400-00-00	CRANKSHAFT ASSEMBLY ...	1	
2	1FK-11416-01-00	PLANE BEARING, CRANKSHAFT 1 .....	8	UR BLUE
	1FK-11416-11-00	PLANE BEARING, CRANKSHAFT 1 .....	8	UR BLACK
	1FK-11416-21-00	PLANE BEARING, CRANKSHAFT 1 .....	8	UR BROWN
	1FK-11416-31-00	PLANE BEARING, CRANKSHAFT 1 .....	8	UR GREEN
	1FK-11416-41-00	PLANE BEARING, CRANKSHAFT 1 .....	8	UR YELLOW
	1FK-11416-51-00	PLANE BEARING, CRANKSHAFT 1 .....	8	UR PINK
	1FK-11416-61-00	PLANE BEARING, CRANKSHAFT 1 .....	8	UR RED
3	1NL-11631-00-A0	PISTON (STD) .....	4	
	1NL-11635-00-00	PISTON (0.25MM O/S) .....	4	AP
	1NL-11636-00-00	PISTON (0.50MM O/S) .....	4	AP
4	(1NL-11610-20-00)	PISTON RING SET .....	4	AP
	1NL-11610-00-00	PISTON RING SET (STD) .....	4	
	1NL-11610-10-00	PISTON RING SET (0.25MM O/S) .....	4	AP
5	1FK-11633-00-00	PIN, PISTON .....	4	
6	93450-19095-00	CIRCLIP .....	8	
7	26H-11650-00-00	CONNECTING ROD ASSEMBLY	4	
8	26H-11654-00-00	. BOLT, CONNECTING ROD ..	2	
9	90179-08327-00	. NUT .....	2	
10	1FK-11656-00-00	PLANE BEARING, CONNECTING ROD .....	8	UR BLUE
	1FK-11656-10-00	PLANE BEARING, CONNECTING ROD .....	8	UR BLACK
	1FK-11656-20-00	PLANE BEARING, CONNECTING ROD .....	8	UR BROWN

CONTINUED ON NEXT FRAME ➤

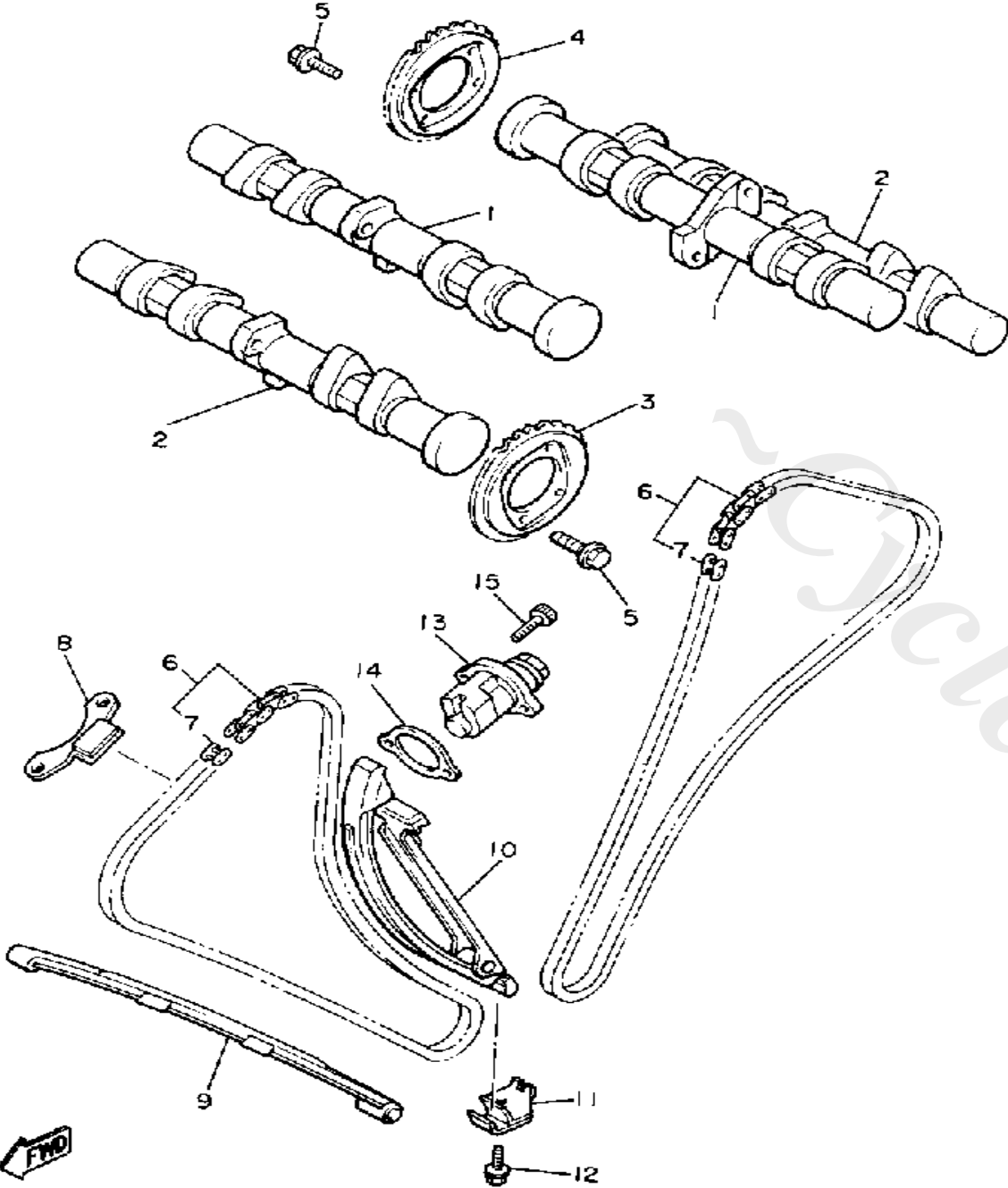
# CRANKSHAFT - PISTON



Ref. No.	Part Number	Description	Qty	Remarks
10	1FK-11656-30-00	PLANE BEARING, CONNECTING ROD .....	8	UR GREEN
	1FK-11656-40-00	PLANE BEARING, CONNECTING ROD .....	8	UR YELLOW
	1FK-11656-50-00	PLANE BEARING, CONNECTING ROD .....	8	UR PINK
11	90280-05029-00	KEY, WOODRUFF .....	1	
12	90105-12374-00	BOLT, WASHER BASED .....	1	
13	90201-121H0-00	WASHER, PLATE .....	1	
14	1FK-11500-00-00	BALANCER ASSEMBLY .....	1	
15	26H-11413-01-00	PLANE BEARING, BALANCE WEIGHT .....	4	UR BLUE
	26H-11413-11-00	PLANE BEARING, BALANCE WEIGHT .....	4	UR BLACK
	26H-11413-21-00	PLANE BEARING, BALANCE WEIGHT .....	4	UR BROWN
	26H-11413-31-00	PLANE BEARING, BALANCE WEIGHT .....	4	UR GREEN
	26H-11413-41-00	PLANE BEARING, BALANCE WEIGHT .....	4	UR YELLOW
	26H-11413-51-00	PLANE BEARING, BALANCE WEIGHT .....	4	UR PINK
	26H-11413-61-00	PLANE BEARING, BALANCE WEIGHT .....	4	UR RED


  
 26H110-3020

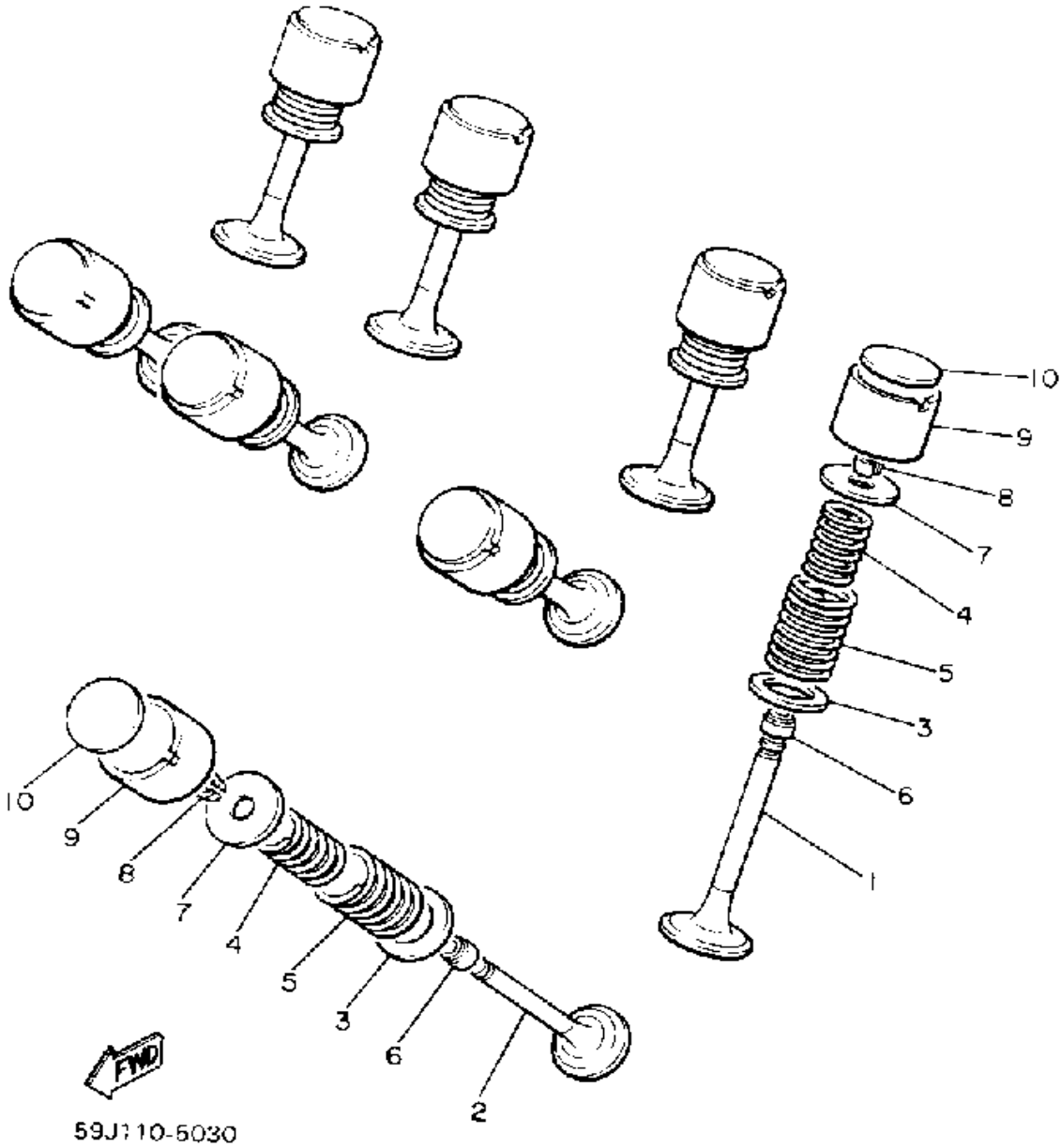
# CAMSHAFT - CHAIN



26HT10-3030

Ref. No.	Part Number	Description	Qty	Remarks
1	(2WT-12171-00-00)	CAMSHAFT 1 .....	2	UR CALIF. ONLY
	1NL-12171-00-00	CAMSHAFT 1 .....	2	UR NON-CALIF.
2	1NL-12181-00-00	CAMSHAFT 2 .....	2	
3	26H-12177-01-00	SPROCKET, CAM CHAIN .....	2	
4	26H-12176-02-00	SPROCKET, CAM CHAIN .....	2	
5	90105-07087-00	BOLT, WASHER BASED .....	8	
6	94580-81118-00	CHAIN (D.I.D 219FTS118LL) ..	2	
7	94600-02001-00	. JOINT, CHAIN (BF05M) .....	1	TSUBAKIMOTO
8	26H-12241-00-00	GUIDE, STOPPER 2 .....	2	
9	26H-12251-00-00	DAMPER, CHAIN 1 .....	2	
10	26H-12252-00-00	DAMPER, CHAIN 2 .....	2	
11	26H-12233-00-00	PLATE, GUIDE STOPPER 1 ...	1	
12	95821-08025-00	BOLT, FLANGE .....	1	
13	26H-12210-03-00	TENSIONER ASSEMBLY, CAM CHAIN .....	2	
14	3JP-12213-00-00	GASKET, TENSIONER CASE ..	2	
15	91311-06020-00	BOLT, SOCKET HEAD .....	4	

# VALVE

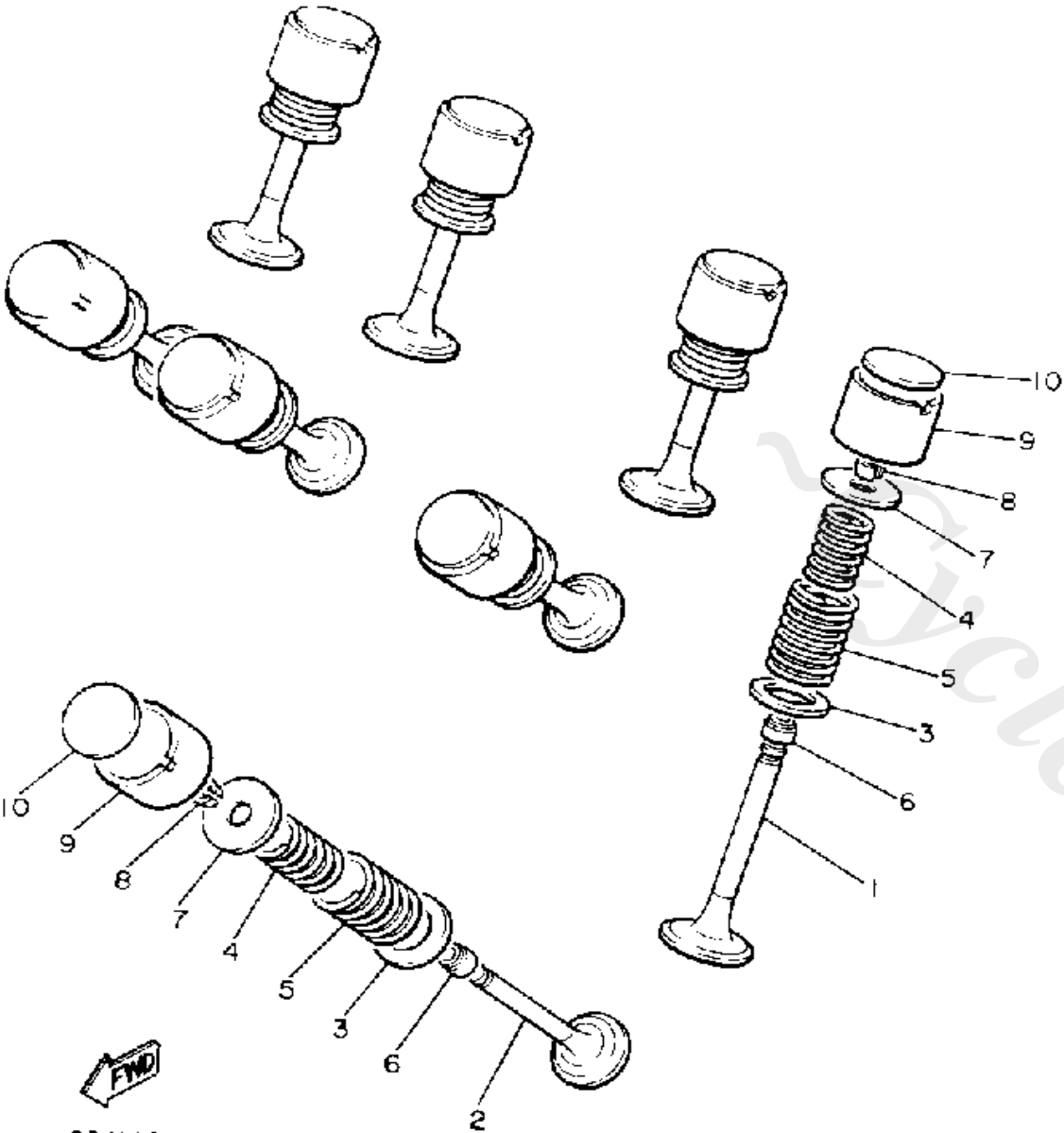


Ref. No.	Part Number	Description	Qty	Remarks
1	26H-12111-00-00	VALVE, intake	8	
2	26H-12121-00-00	VALVE, exhaust	8	
3	26H-12116-00-00	SEAT, VALVE SPRING	16	
4	26H-12113-00-00	SPRING, VALVE INNER	16	
5	26H-12114-00-00	SPRING, VALVE OUTER	16	
6	26H-12119-00-00	SEAL, valve stem	16	
7	26H-12117-00-00	RETAINER, VALVE SPRING	16	
8	4G0-12118-00-00	COTTER, VALVE	32	
9	26H-12153-00-J0	LIFTER, VALVE (O/S)	16	UR
	26H-12153-00-Y0	LIFTER, VALVE	16	UR
10	26H-12168-00-00	PAD, ADJUSTING (2.00)	16	UR
	26H-12168-20-00	PAD, ADJUSTING (2.05)	16	UR
	26H-12168-40-00	PAD, ADJUSTING (2.10)	16	UR
	26H-12168-60-00	PAD, ADJUSTING (2.15)	16	UR
	26H-12168-80-00	PAD, ADJUSTING (2.20)	16	UR
	26H-12168-A0-00	PAD, ADJUSTING (2.25)	16	UR
	26H-12168-F0-00	PAD, ADJUSTING (2.30)	16	UR
	26H-12168-H0-00	PAD, ADJUSTING (2.35)	16	UR
	26H-12168-K0-00	PAD, ADJUSTING (2.40)	16	UR
	26H-12168-M0-00	PAD, ADJUSTING (2.45)	16	UR
	26H-12168-R0-00	PAD, ADJUSTING (2.50)	16	UR
	26H-12168-U0-00	PAD, ADJUSTING (2.55)	16	UR
	26H-12168-W0-00	PAD, ADJUSTING (2.60)	16	UR
	26H-12168-Y0-00	PAD, ADJUSTING (2.65)	16	UR
	26H-12169-10-00	PAD, ADJUSTING (2.70)	16	UR
	26H-12169-30-00	PAD, ADJUSTING (2.75)	16	UR
	26H-12169-50-00	PAD, ADJUSTING (2.80)	16	UR
	26H-12169-70-00	PAD, ADJUSTING (2.85)	16	UR
	26H-12169-90-00	PAD, ADJUSTING (2.90)	16	UR

CONTINUED ON NEXT FRAME ➤

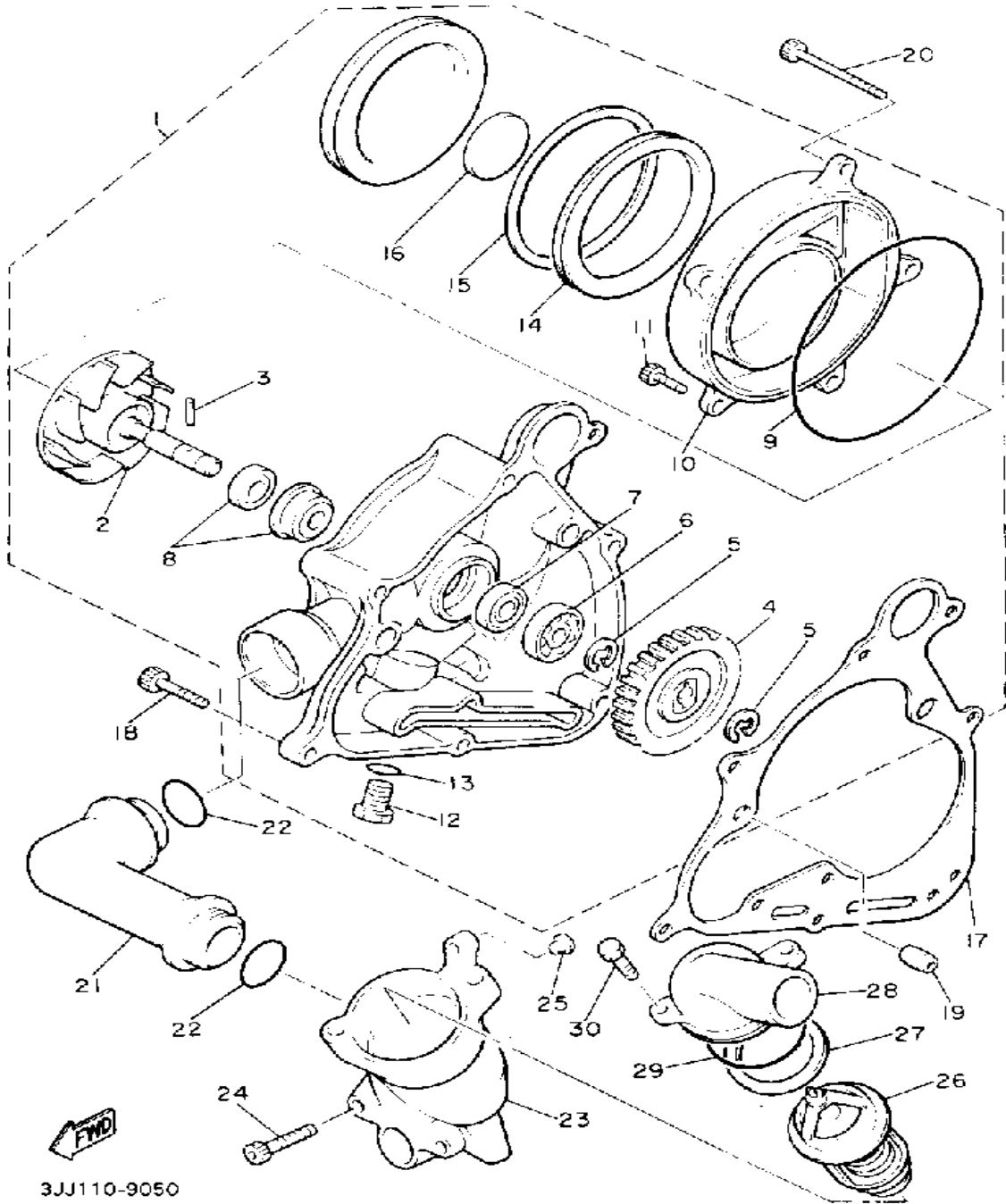
# VALVE

Ref. No.	Part Number	Description	Qty	Remarks
10	26H-12169-E0-00	PAD, ADJUSTING (2.95)	..... 16	UR
	26H-12169-G0-00	PAD, ADJUSTING (3.00)	..... 16	UR
	26H-12169-J0-00	PAD, ADJUSTING (3.05)	..... 16	UR
	26H-12169-L0-00	PAD, ADJUSTING (3.10)	..... 16	UR
	26H-12169-N0-00	PAD, ADJUSTING (3.15)	..... 16	UR
	26H-12169-T0-00	PAD, ADJUSTING (3.20)	..... 16	UR



59J110-5030

# WATER PUMP

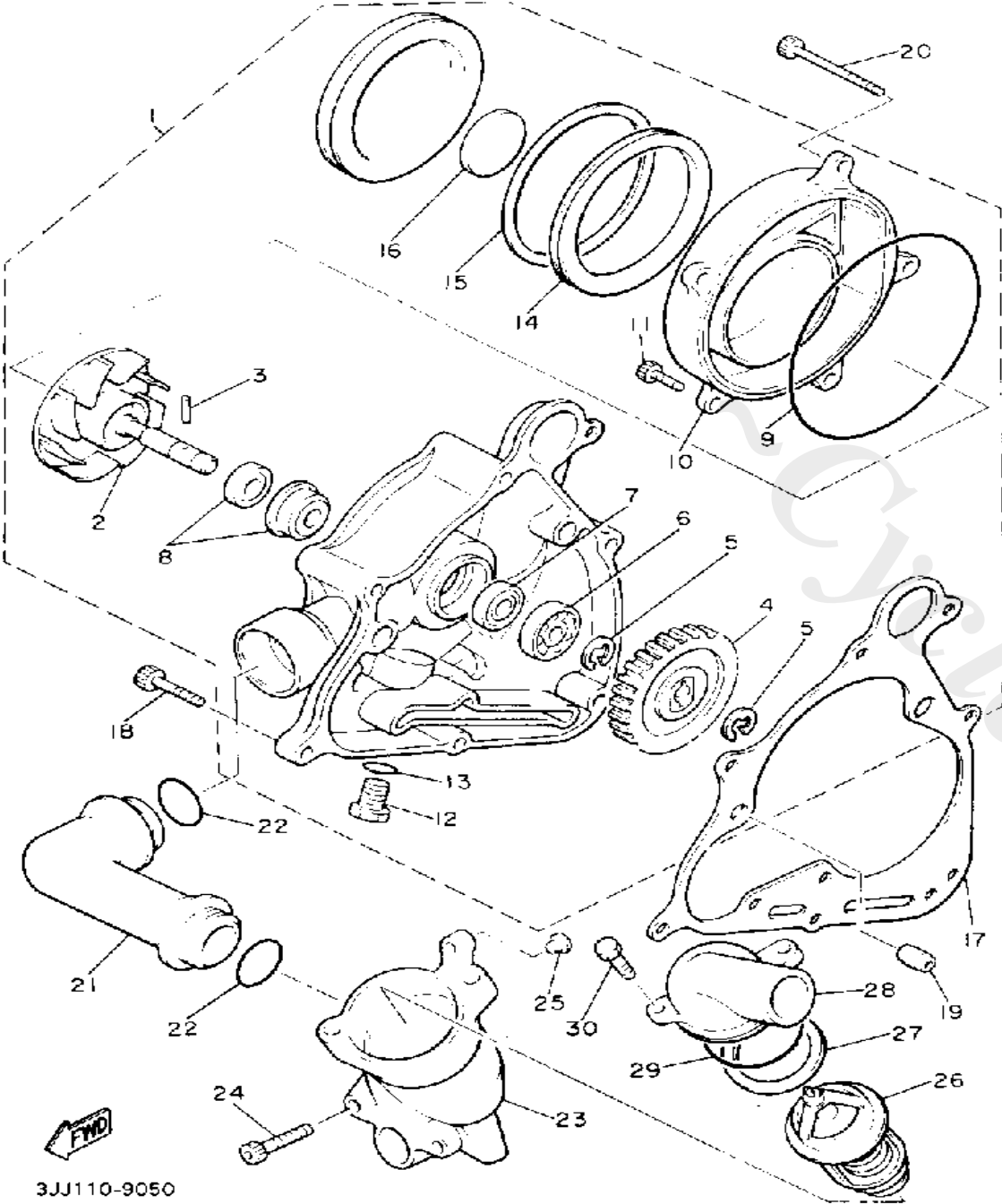


3JJ110-9050

Ref. No.	Part Number	Description	Qty	Remarks
1	26H-12420-01-00	WATER PUMP ASS'Y	1	
2	1FK-12450-00-00	. IMPELLER SHAFT ASSEMBLY	1	
3	93603-14026-00	. PIN, DOWEL	1	
4	26H-12459-00-00	. GEAR, IMPELLER SHAFT (31T)	1	
5	99009-10400-00	. CIRCLIP	2	
6	93306-00004-00	. BEARING	1	
7	93101-10090-00	. OIL SEAL	1	
8	11H-12438-00-00	. SEAL, MECHANICAL	1	
9	93211-16591-00	. O-RING	1	
10	26H-12422-00-00	. COVER, housing	1	
11	91311-06016-00	. BOLT, SOCKET HEAD	2	
12	3VD-13455-00-00	. PLUG	1	
13	214-11198-01-00	. GASKET	1	
14	26H-15337-01-00	. DAMPER 4	1	
15	90468-98132-00	. CLIP	1	
16	26H-15338-00-00	. DAMPER, ENGINE MOUNT 5	1	
17	3JP-12449-01-00	GASKET, WATER PUMP	1	
18	91311-06025-00	BOLT, SOCKET HEAD	4	
19	99530-10014-00	PIN, DOWEL	2	
20	91311-06065-00	BOLT	3	
21	26H-12446-00-00	JOINT	1	
22	93210-27778-00	O-RING	2	
23	26H-12417-00-00	HOUSING, THERMOSTAT	1	
24	91311-06020-00	BOLT, SOCKET HEAD	2	
25	90338-06134-00	PLUG	1	
26	11H-12410-00-00	THERMOSTAT ASSEMBLY	1	
27	11H-12412-00-00	SEAL, THERMOSTAT (11H-12412-01-00)	1	

CONTINUED ON NEXT FRAME ►

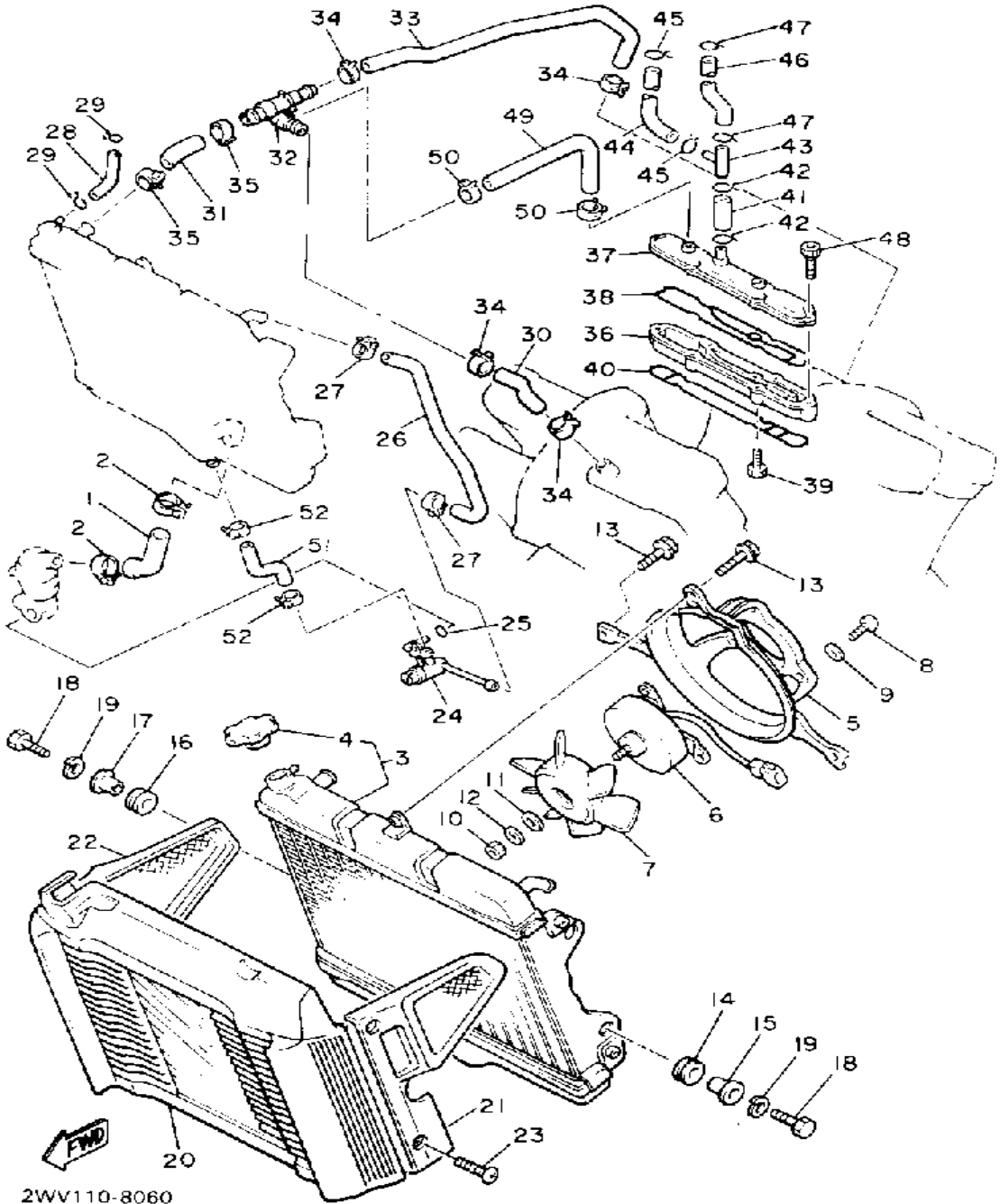
# WATER PUMP



Ref. No.	Part Number	Description	Qty	Remarks
28	26H-12413-00-00	COVER, THERMOSTAT	1	
29	93210-45511-00	O-RING	1	
30	90110-06084-00	BOLT, HEXAGON SOCKET HEAD	2	

3JJ110-9050

# RADIATOR - HOSE

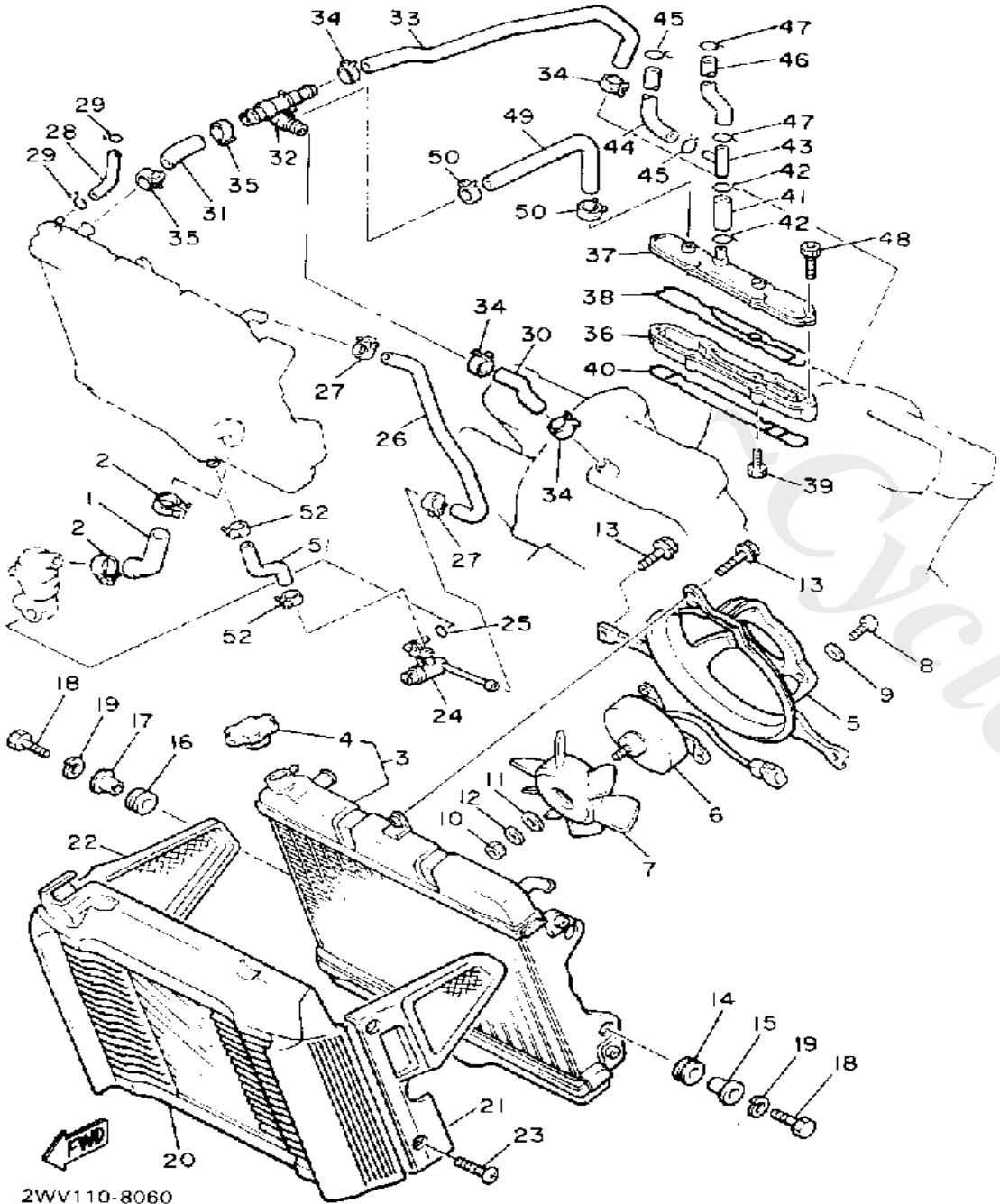


2WV110-8060

Ref. No.	Part Number	Description	Qty	Remarks
1	26H-12578-00-00	HOSE 3	1	
2	90460-38285-00	CLAMP, HOSE	2	
3	26H-12461-00-00	RADIATOR ASS'Y	1	
4	26H-12462-00-00	. CAP, RADIATOR	1	
5	26H-12620-00-00	AIR SHROUD ASS'Y	1	
6	26H-12630-00-00	MOTOR ASSEMBLY	1	
7	26H-12611-00-00	FAN	1	
8	98580-05010-00	SCREW, PAN HEAD	3	
9	92901-05600-00	WASHER, PLATE	3	
10	95380-05600-00	NUT	1	
11	11H-12673-00-00	WASHER	1	
12	92990-05300-00	WASHER, INTERNAL TOOTH	1	
13	90119-06044-00	BOLT, WITH WASHER	3	
14	90480-18276-00	GROMMET	2	
15	90387-07037-00	COLLAR	2	
16	90480-19283-00	GROMMET	2	
17	90387-06033-00	COLLAR	2	
18	97011-06020-00	BOLT	4	
19	92995-06100-00	WASHER, SPRING	4	
20	26H-1246F-01-00	COVER 3	1	
21	26H-1246G-01-00	COVER 4	1	
22	26H-1246H-01-00	COVER 5	1	
23	90154-05059-00	SCREW, BINDING	4	
24	26H-12560-00-00	DRAIN COCK ASS'Y	1	
25	93210-14104-00	O-RING	1	
26	26H-12566-01-00	PIPE, bypass	1	
27	90460-15227-00	CLAMP, HOSE	2	
28	90445-09107-00	HOSE	1	
29	90467-08003-00	CLIP	2	

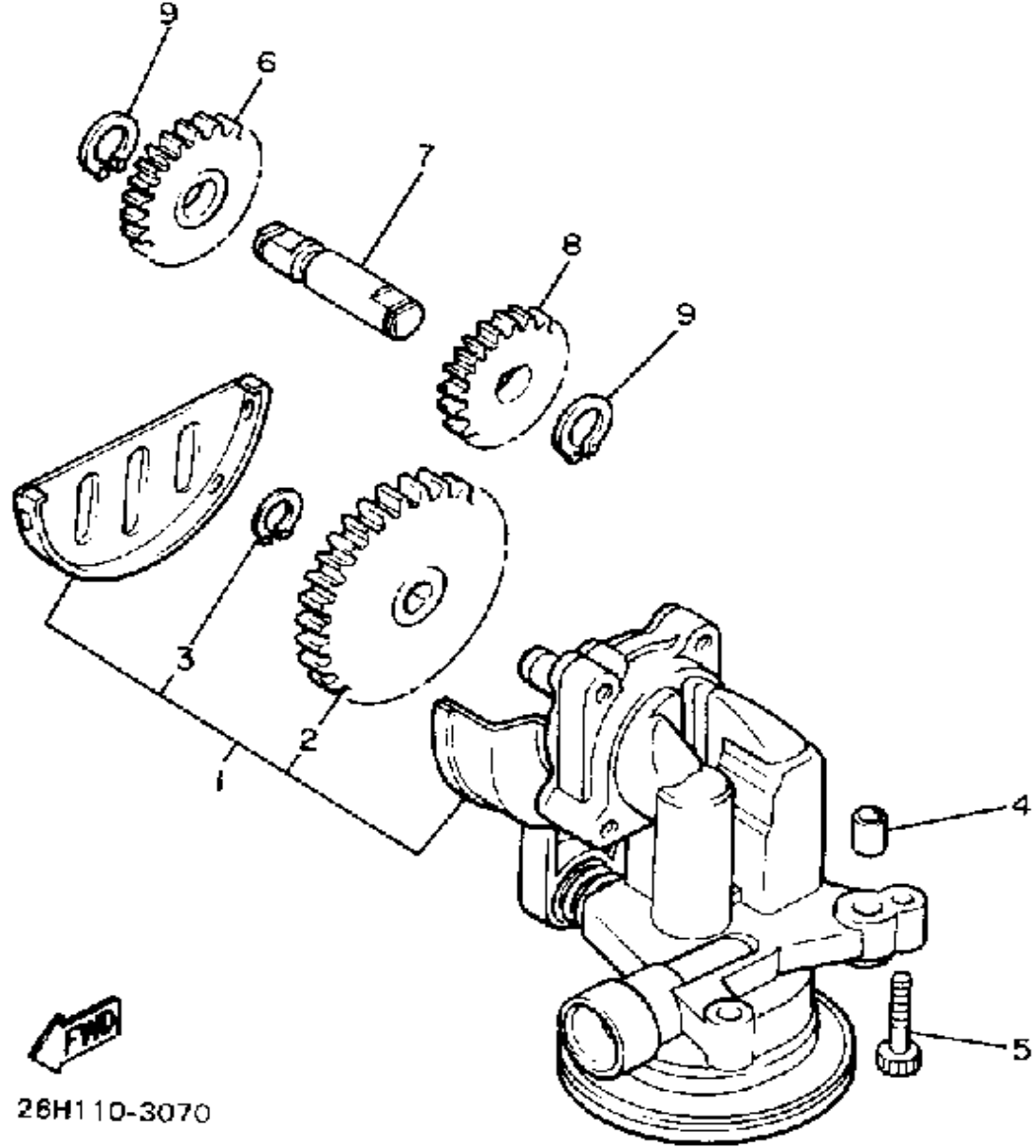
CONTINUED ON NEXT FRAME ➤

# RADIATOR - HOSE



Ref. No.	Part Number	Description	Qty	Remarks
30	26H-12576-01-00	HOSE 1 .....	1	
31	26H-12579-01-00	HOSE 4 .....	1	
32	1NL-12479-01-00	JOINT .....	1	
33	26H-12577-01-00	HOSE 2 .....	1	
34	90467-23067-00	CLIP .....	4	
35	90460-38285-00	CLAMP, HOSE .....	2	
36	26H-1246A-02-00	COVER 1 .....	1	
37	26H-1246E-02-00	COVER 2 .....	1	
38	26H-12428-00-00	GASKET, HOUSING COVER 2 .	1	
39	91311-06016-00	BOLT, SOCKET HEAD .....	4	
40	26H-12427-00-00	GASKET, HOUSING COVER 1 .	1	
41	90445-162A0-00	HOSE .....	1	
42	90467-14015-00	CLIP .....	2	
43	90413-12017-00	WAY 3 .....	1	
44	90445-11637-00	HOSE .....	1	
45	90467-11102-00	CLIP, SCISSOR .....	2	
46	47G-11166-00-00	PIPE, breather 1 .....	1	
47	90467-14015-00	CLIP .....	2	
48	91311-06040-00	BOLT .....	6	
49	26H-12589-00-00	HOSE 6 .....	1	
50	90467-11090-00	CLIP .....	2	
51	26H-12588-01-00	HOSE 5 .....	1	
52	90460-15227-00	CLAMP, HOSE .....	2	

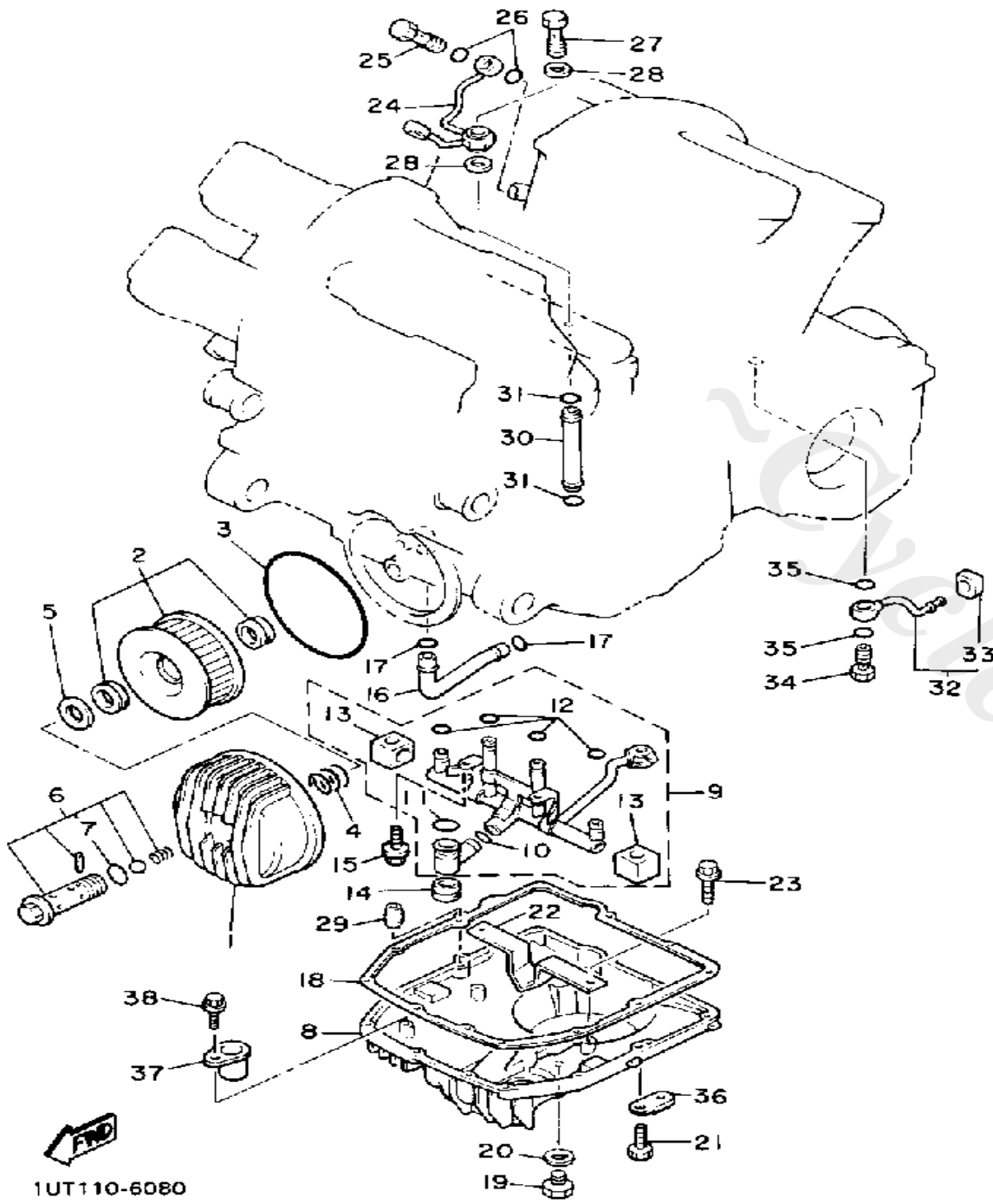
# OIL PUMP



26H110-3070

Ref. No.	Part Number	Description	Qty	Remarks
1	26H-13300-02-00	OIL PUMP ASSEMBLY	1	
2	26H-13325-00-00	. GEAR, PUMP DRIVEN (28T)	1	
3	99009-11400-00	. CIRCLIP	1	
4	99530-10014-00	PIN, DOWEL	2	
5	91316-06025-00	BOLT	3	
6	26H-13351-01-00	GEAR, PUMP IDLE 1 (16T)	1	
7	26H-13342-00-00	SHAFT, IDLE GEAR	1	
8	26H-13361-00-00	GEAR, PUMP IDLE 2 (15T)	1	
9	99009-12400-00	CIRCLIP	2	

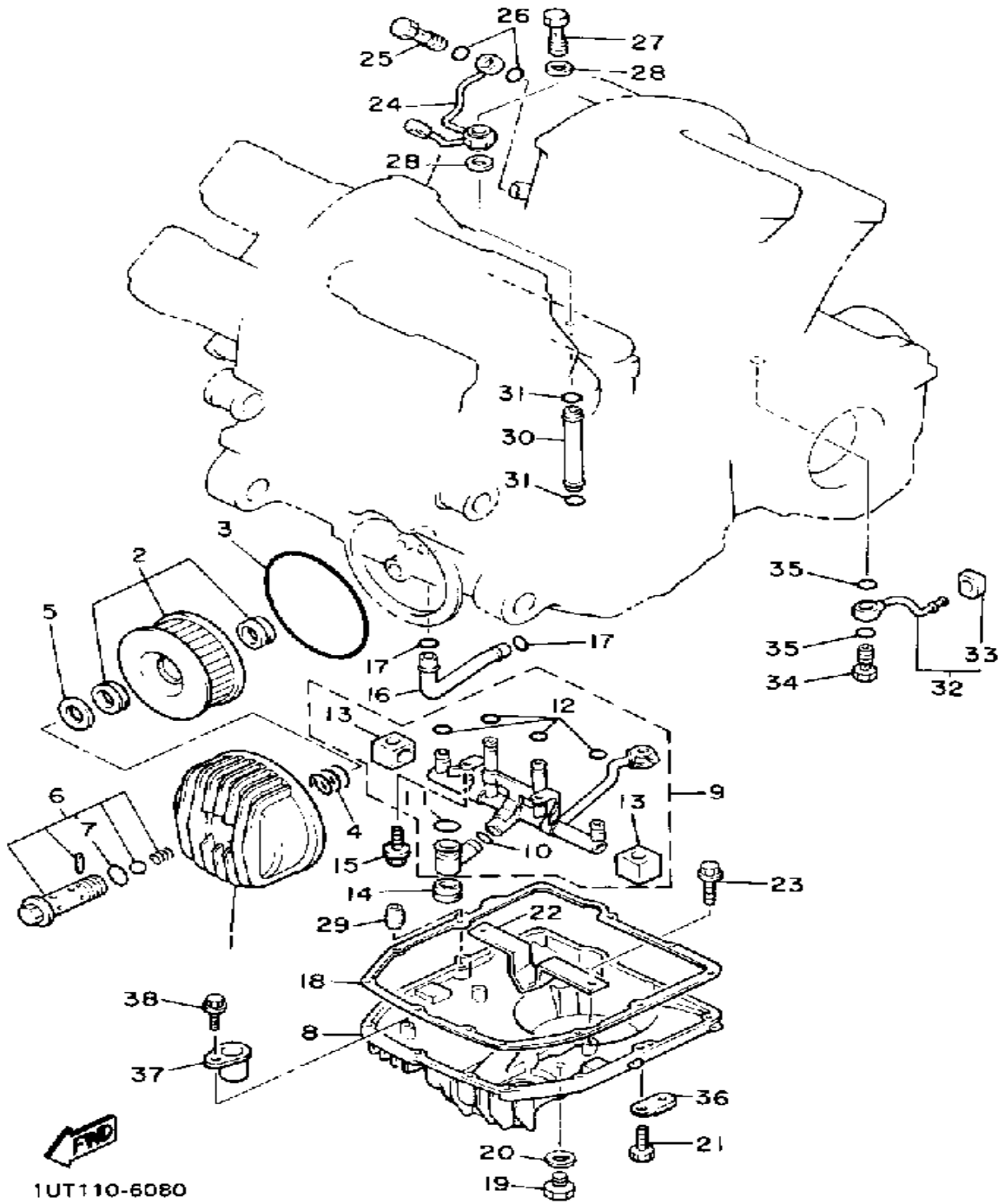
# OIL FILTER



Ref. No.	Part Number	Description	Qty	Remarks
1	26H-13447-01-00	COVER, oil element (26H-13447-00)	1	
2	1J7-13441-10-00	ELEMENT, OIL CLEANER	1	
3	93211-19413-00	O-RING	1	
4	90501-18433-00	SPRING, COMPRESSION	1	
5	90201-21608-00	WASHER, PLATE	1	
6	2H7-13340-00-00	BY-PASS VALVE ASSEMBLY	1	
7	93210-16314-00	. O-RING	1	
8	26H-13417-01-00	COVER, STRAINER	1	
9	26H-Y1319-01-00	DELIVERY PIPE ASS'Y	1	
10	93210-13361-00	. O-RING	1	
11	93210-14637-00	. O-RING	1	
12	93210-06667-00	. O-RING	4	
13	26H-15365-00-00	. GROMMET	2	
14	26H-15366-01-00	GROMMET	1	
15	95811-06012-00	BOLT, FLANGE	2	
16	26H-13161-00-00	PIPE, DELIVERY 1	1	
17	93210-14579-00	O-RING	2	
18	3JP-13414-00-00	GASKET, STRAINER COVER	1	
19	3VD-13455-00-00	PLUG	1	
20	214-11198-01-00	GASKET	1	
21	90110-06138-00	BOLT, HEX SKT HEAD	12	
22	26H-13337-01-00	PLATE, BAFFLE LOWER	1	
23	95811-06012-00	BOLT, FLANGE	2	
24	26H-13181-02-00	PIPE, DELIVERY 3 (26H-13181-03-00)	1	
25	90401-08038-00	BOLT, UNION	2	
26	90201-08087-00	WASHER, PLATE	4	
27	90401-10108-00	BOLT, UNION	1	

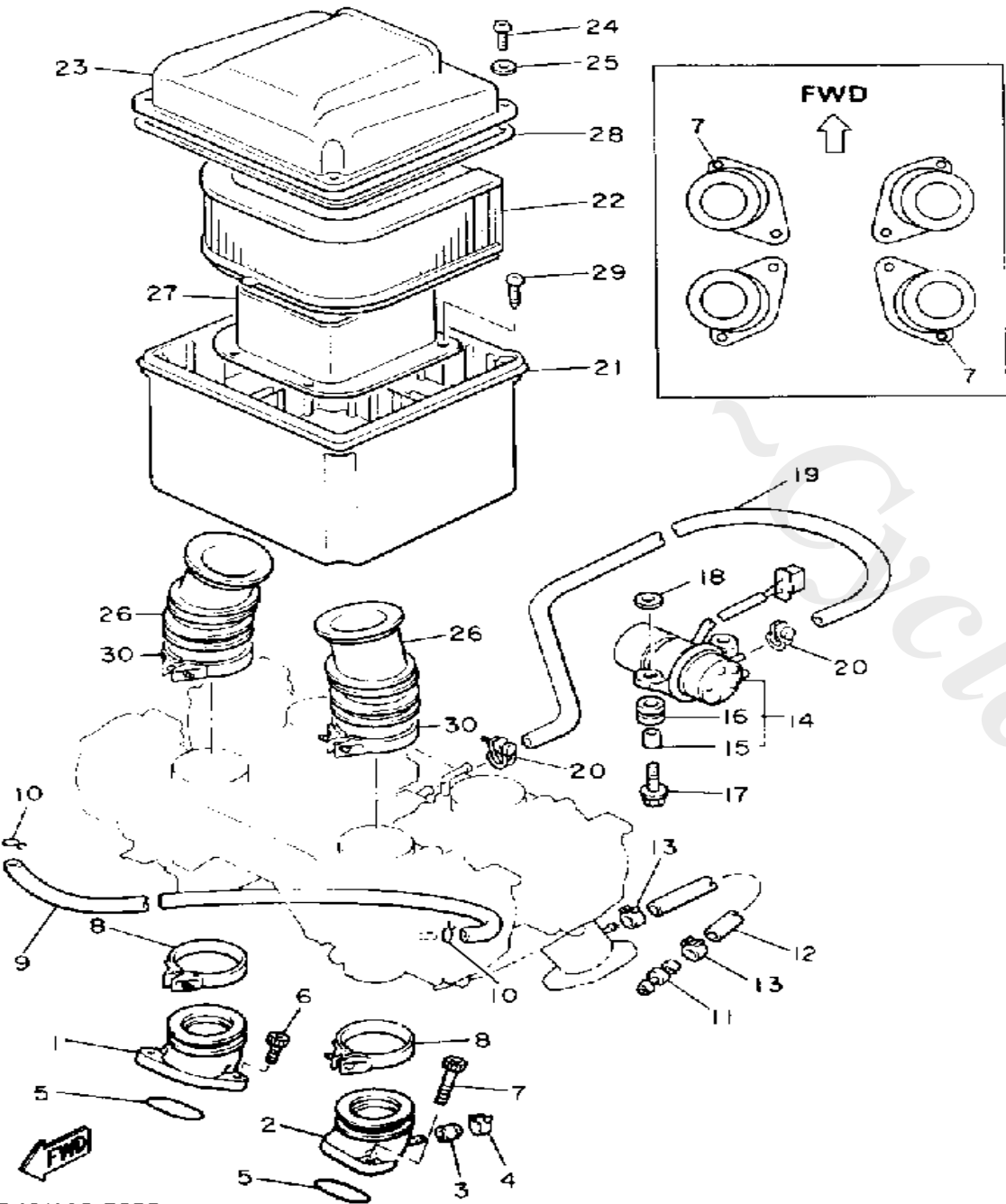
CONTINUED ON NEXT FRAME ►

# OIL FILTER



Ref. No.	Part Number	Description	Qty	Remarks
28	90201-11723-00	WASHER, PLATE	2	
29	99510-08016-00	PIN, DOWEL	2	
30	26H-13171-00-00	PIPE, DELIVERY 2	1	
31	93210-06667-00	O-RING	2	
32	26H-13416-00-00	PIPE, OIL 1 (26H-13416-01-00)	1	
33	26H-13476-00-00	GASKET	1	
34	90401-08093-00	BOLT, UNION	1	
35	90201-08087-00	WASHER, PLATE	2	
36	90465-08193-00	CLAMP	1	
37	1FK-13151-00-00	STAY	1	
38	95811-06012-00	BOLT, FLANGE	1	

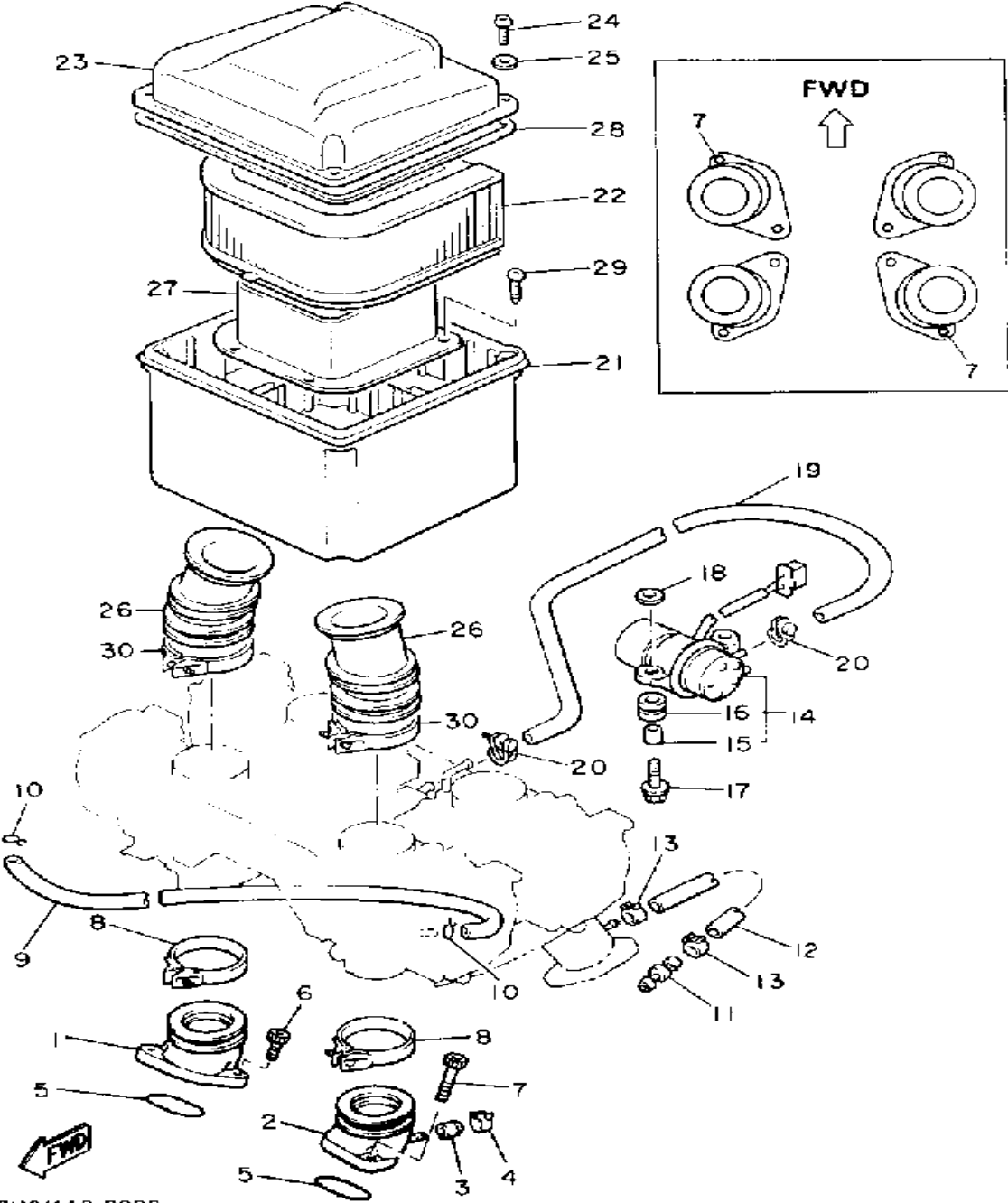
# AIR FILTER



Ref. No.	Part Number	Description	Qty	Remarks
1	26H-13586-00-00	JOINT, carburetor 1	2	
2	26H-13596-00-00	JOINT, carburetor 2	2	
3	16G-13569-00-00	PLUG, BLIND	3	
4	90467-10039-00	CLIP	3	
5	93210-45578-00	O-RING	4	
6	91316-06020-00	BOLT, SOCKET HEAD	6	
7	91311-06016-00	BOLT, SOCKET HEAD	2	
8	1AE-13575-00-00	BAND	4	
9	90445-08674-00	HOSE	1	
10	90467-08021-00	CLIP	2	
11	41R-14489-00-00	NOZZLE	1	
12	90445-090A9-00	HOSE	1	
13	90467-08092-00	CLIP	2	
14	1NL-13907-00-00	FUEL PUMP COMP	1	
15	90387-060A7-00	. COLLAR	2	
16	90480-12475-00	. GROMMET	2	
17	95816-06016-00	BOLT, FLANGE	2	
18	90209-06174-00	WASHER	2	
19	90445-12722-00	HOSE	1	
20	90460-11149-00	CLAMP, HOSE	2	
21	26H-14411-00-00	CASE, air cleaner 1	1	
22	26H-14451-00-00	ELEMENT, air cleaner	1	
23	26H-14412-00-00	CAP, cleaner case 1	1	
24	98511-05020-00	SCREW, PAN HEAD	4	
25	92901-05600-00	WASHER, PLATE	4	
26	26H-14453-00-00	JOINT, air cleaner 1	4	
27	26H-14437-00-00	DUCT	1	
28	1VJ-14462-00-00	SEAL	1	
29	97780-60512-00	SCREW, TAPPING	4	

CONTINUED ON NEXT FRAME ➤

# AIR FILTER

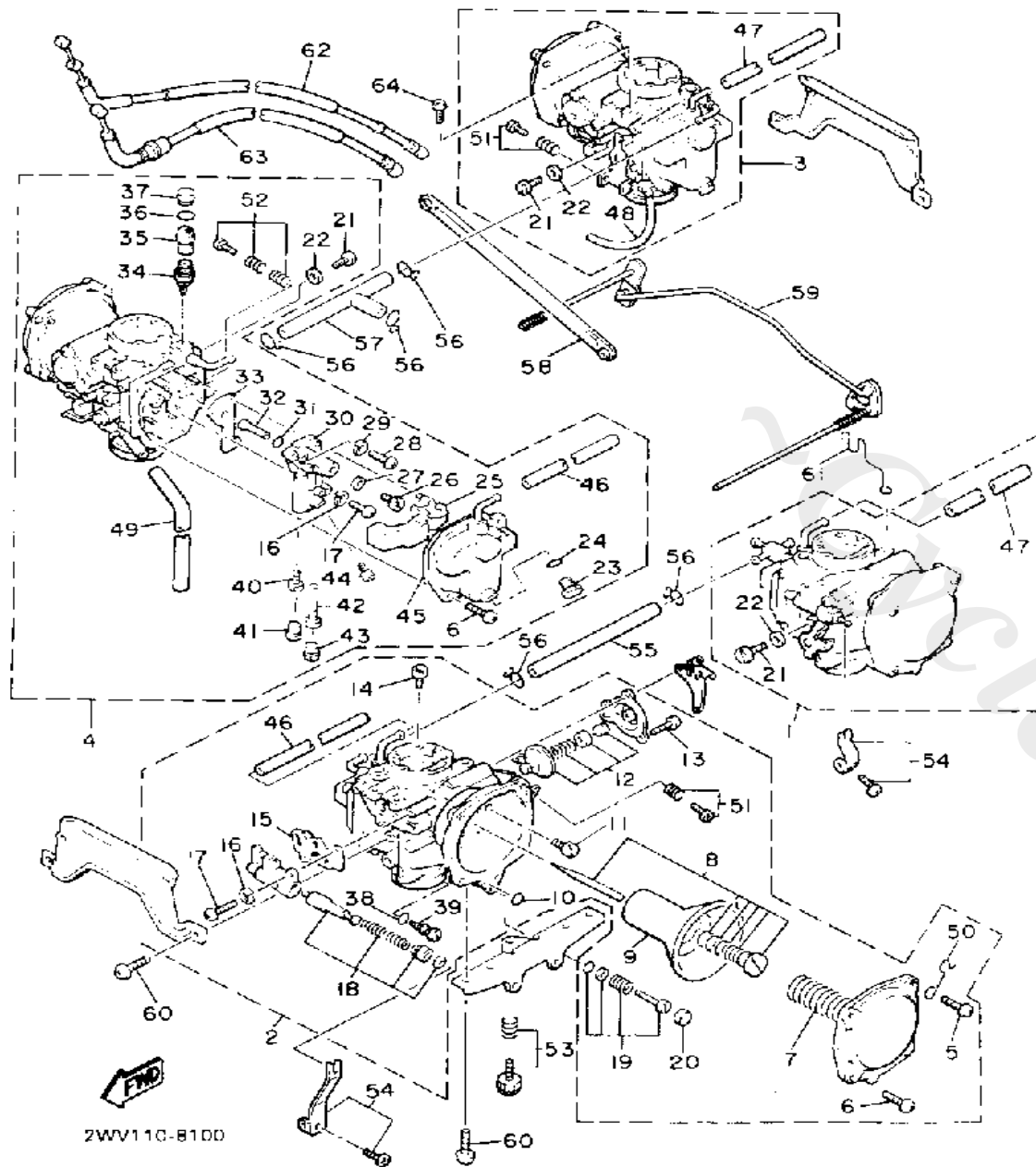


2WV110-8090

Ref. No.	Part Number	Description	Qty	Remarks
----------	-------------	-------------	-----	---------

30	90460-58015-00	CLAMP, HOSE .....	4	
----	----------------	-------------------	---	--

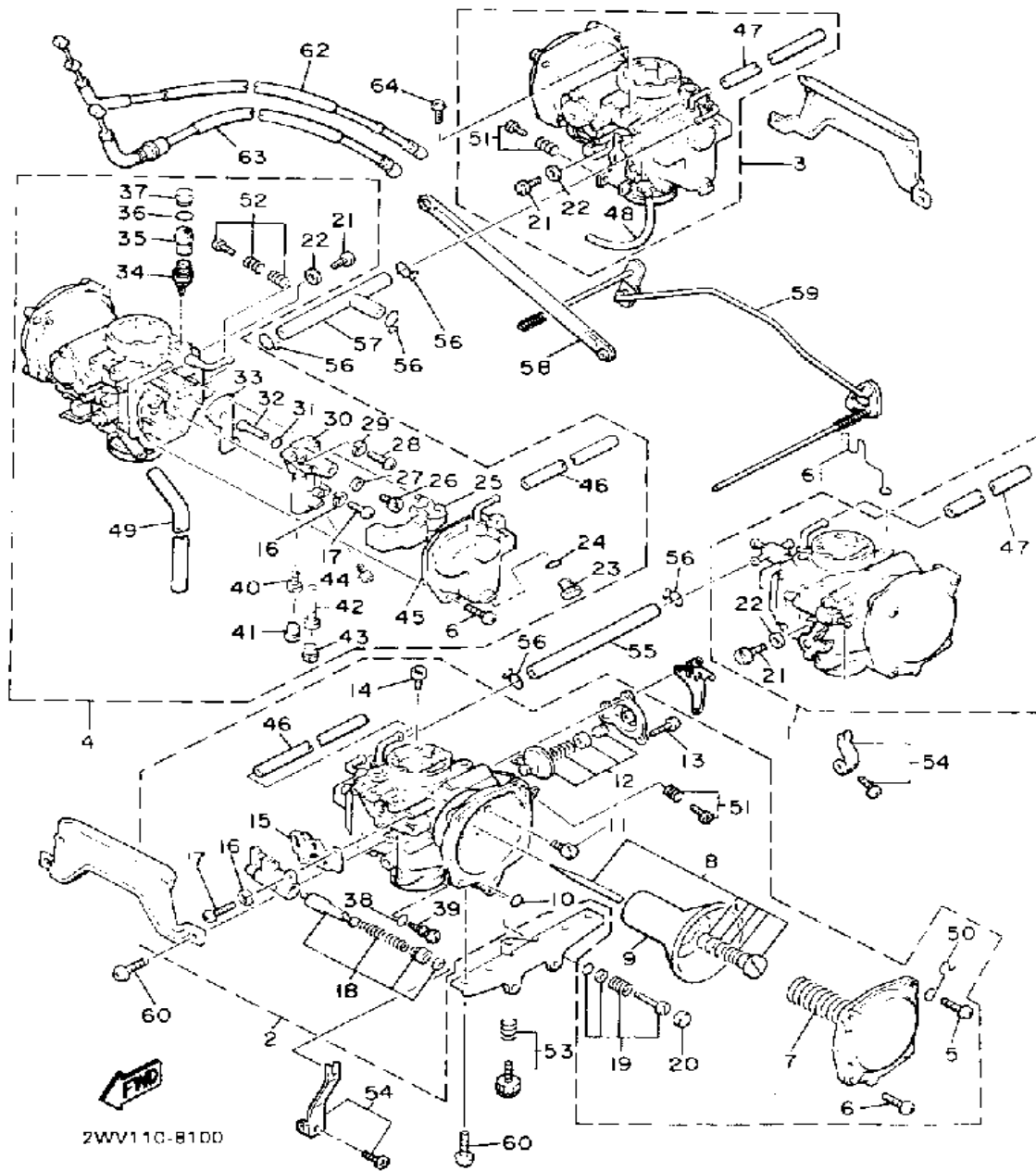
# CARBURETOR (NON-CALIFORNIA MODEL)



Ref. No.	Part Number	Description	Qty	Remarks
1	1NL-14901-01-00	CARBURETOR ASS'Y 1	1	
2	1NL-14902-01-00	CARBURETOR ASS'Y 2	1	
3	1NL-14903-01-00	CARBURETOR ASS'Y 3	1	
4	1NL-14904-01-00	CARBURETOR ASS'Y 4	1	
5	90157-05050-00	. SCREW, PAN HEAD	1	
6	98580-05012-00	. SCREW, PAN HEAD	7	
7	1FK-14933-00-00	. SPRING, DIAPHRAGM	1	
8	1NL-1490J-00-00	. NEEDLE SET	1	
9	1FK-14940-00-00	. DIAPHRAGM ASSEMBLY	1	
10	93210-03119-00	. O-RING	1	
11	3G2-14231-34-00	. JET, PILOT AIR (#170)	1	
12	3LD-1490H-00-00	. DIAPHRAGM SET, 5 (26H-1490H-00-00)	1	
13	98511-04012-00	. SCREW, PAN HEAD	3	
	98580-04010-00	. SCREW, PAN HEAD	3	
14	3G2-14231-16-00	. JET, MAIN #80 (#80)	1	
15	3JB-14536-00-00	. GASKET	1	
16	92901-04100-00	. WASHER, SPRING	4	
17	98511-04012-00	. SCREW, PAN HEAD	4	
18	11H-1410A-00-00	. STARTER SET	1	
19	12R-14105-00-00	. PILOT SCREW SET	1	
20	3F9-14118-00-00	. CAP	1	
21	341-14991-00-00	. SCREW	1	
22	26H-14952-00-00	. WASHER	1	
23	22U-14115-00-00	. PLUG, SCREW	1	
24	22U-14561-00-00	. O-RING	1	
25	1FK-14985-00-00	. FLOAT	1	
26	22U-14565-00-00	. SCREW	1	
27	137-14153-00-00	. WASHER, MAIN JET	1	

CONTINUED ON NEXT FRAME ►

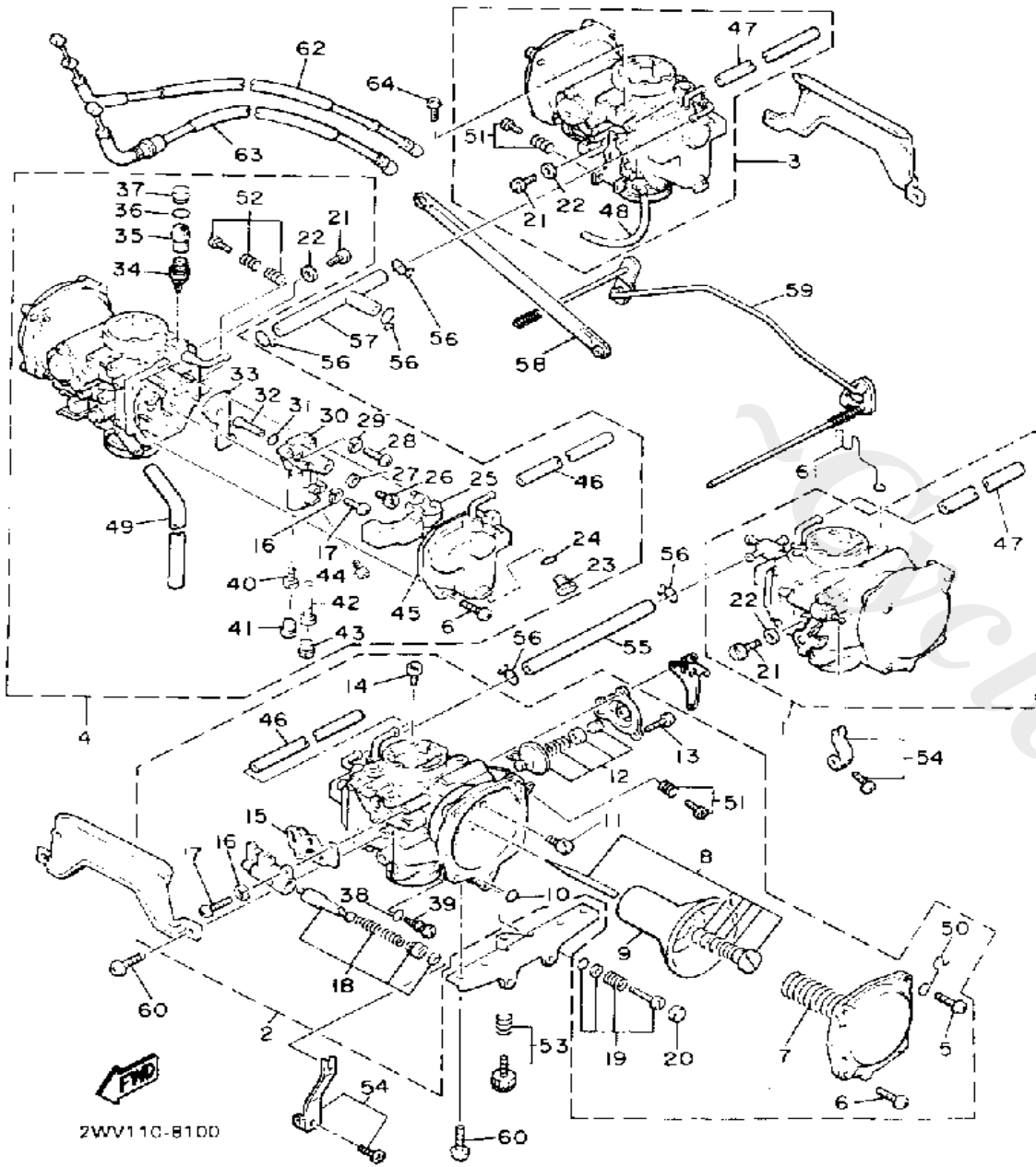
# CARBURETOR (NON-CALIFORNIA MODEL)



Ref. No.	Part Number	Description	Qty	Remarks
28	98506-04018-00	. SCREW, PAN HEAD	1	
29	92901-04100-00	. WASHER, SPRING	1	
30	26H-1411A-00-09	. BLOCK JET ASSEMBLY (26H-1411A-00-00)	1	
31	22U-14147-00-00	. O-RING	1	
32	26H-14941-90-00	. NOZZLE, MAIN	1	
33	3JB-14199-00-00	. GASKET	1	
34	1FK-14190-15-00	. NEEDLE VALVE ASSEMBLY	1	
35	1J7-14994-00-00	. NET, FILTER	1	
36	1FK-14147-00-00	. O-RING	1	
37	41R-14118-01-00	. CAP	1	
38	241-14147-00-00	. O-RING	1	
39	2L1-14191-00-00	. PLUG, DRAIN	1	
40	4G0-14142-37-A0	. JET, PILOT #37.5 (4G0-14142-37-00)	1	
41	22V-14968-00-00	. CAP	1	
42	26H-1414G-00-00	. PIPE, MAIN BREED	1	
43	22U-14968-00-00	. CAP	1	
44	3G2-14231-25-00	. JET, MAIN (#125)	1	
45	22V-14147-00-00	. O-RING	1	
46	90445-111F4-00	. PIPE (1NL-14197-00)	1	
47	1UM-14197-00-00	. PIPE	1	
48	90445-07419-00	. HOSE	1	
49	90445-07419-00	. HOSE	1	
50	(31M-14139-00-00)	CLIP, PIPE	1	
51	41W-1490K-00-00	. STOP SCREW SET	1	
52	41V-1490K-00-00	. STOP SCREW SET	1	
53	41V-14103-00-00	THROTTLE SCREW SET	1	
54	(41V-1490M-00-00)	STARTER LEVR SET 2	4	

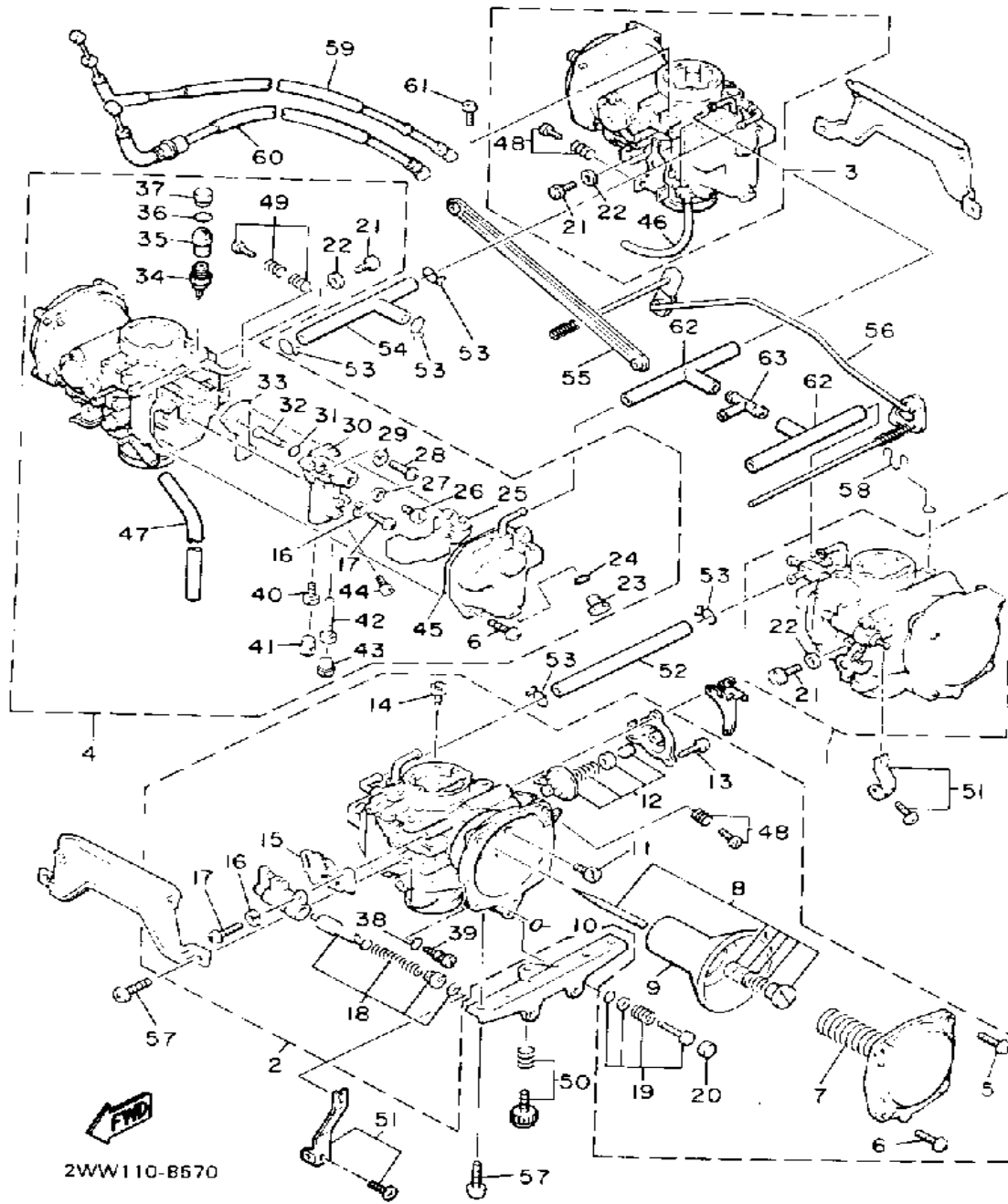
CONTINUED ON NEXT FRAME ►

# CARBURETOR (NON-CALIFORNIA MODEL)



Ref. No.	Part Number	Description	Qty	Remarks
55	31H-14987-00-00	HOSE .....	1	
56	90467-10008-00	CLIP .....	5	
57	26H-14987-00-00	HOSE .....	1	
58	ϕ41-V1450-40-00	ROD SET .....	1	
59	41V-1490L-00-00	STARTER LEVER SET, 1 .....	1	
60	98580-06010-00	SCREW, PAN HEAD (92503-06010) .....	16	
61	(26H-14139-00-00)	CLIP, PIPE .....	1	
62	41V-2631J-00-00	CABLE, throttle 4 .....	1	
63	41V-26313-01-00	CABLE, throttle 3 .....	1	
64	98580-05010-00	SCREW, PAN HEAD .....	9	

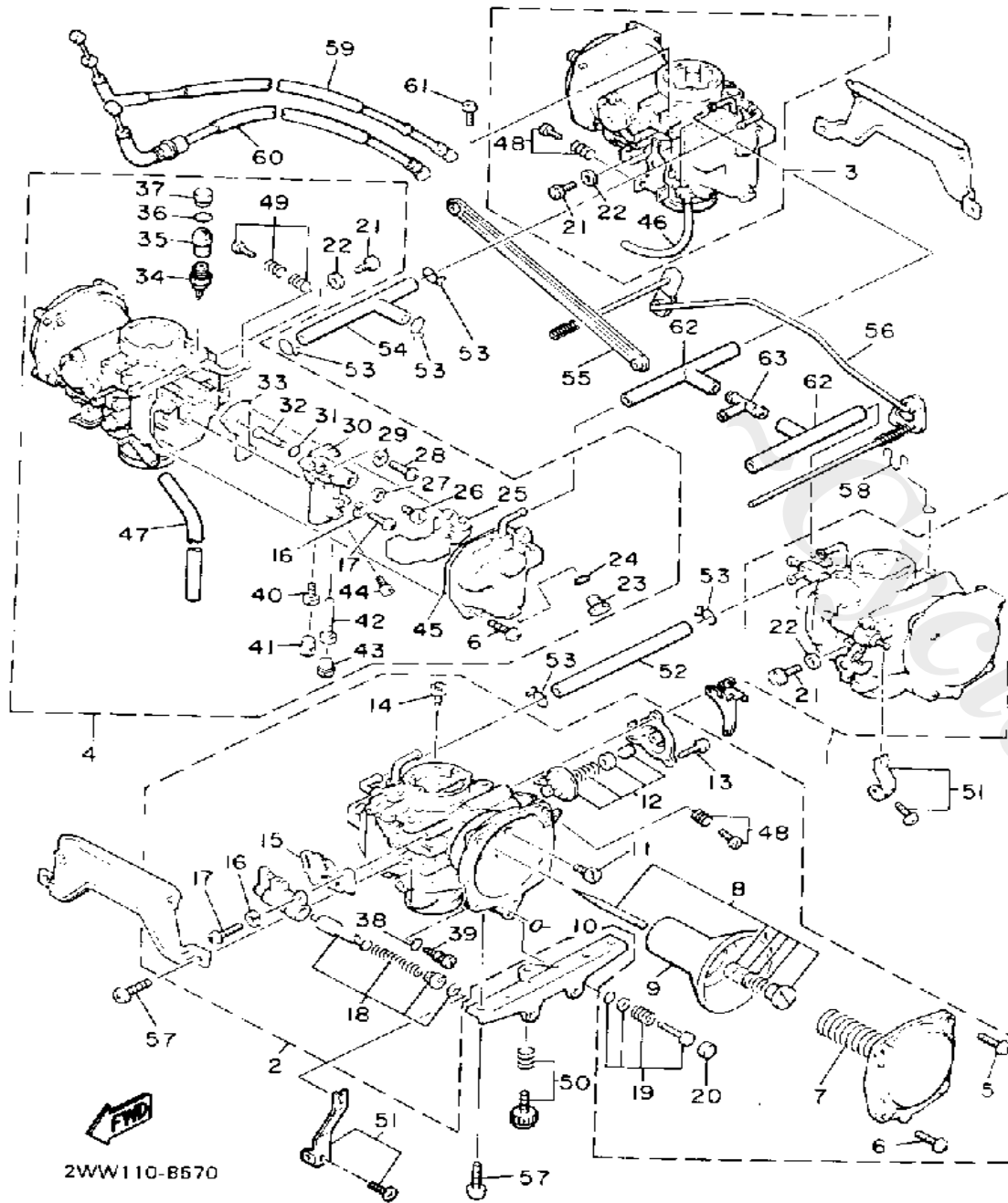
# CARBURETOR ( CALIFORNIA MODEL ON



Ref. No.	Part Number	Description	Qty	Remarks
1	1UN-14901-01-00	CARBURETOR ASS"Y 1	1	
2	1UN-14902-01-00	CARBURETOR ASS"Y 2	1	
3	1UN-14903-01-00	CARBURETOR ASS"Y 3	1	
4	1UN-14904-01-00	CARBURETOR ASS"Y 4	1	
5	90157-05050-00	. SCREW, PAN HEAD	1	
6	98580-05012-00	. SCREW, PAN HEAD	7	
7	1FK-14933-00-00	. SPRING, DIAPHRAGM	1	
8	1NL-1490J-00-00	. NEEDLE SET	1	
9	1FK-14940-00-00	. DIAPHRAGM ASSEMBLY	1	
10	93210-03119-00	. O-RING	1	
11	3G2-14231-34-00	. JET, PILOT AIR (#170)	1	
12	3LD-1490H-00-00	. DIAPHRAGM SET, 5 (26H-1490H-00-00)	1	
13	98511-04012-00	. SCREW, PAN HEAD	3	
	98580-04010-00	. SCREW, PAN HEAD	3	
14	3G2-14231-16-00	. JET, MAIN #80 (#80)	1	
15	3JB-14536-00-00	. GASKET	1	
16	92901-04100-00	. WASHER, SPRING	4	
17	98511-04012-00	. SCREW, PAN HEAD	4	
18	11H-1410A-00-00	. STARTER SET	1	
19	12R-14105-00-00	. PILOT SCREW SET	1	
20	3F9-14118-00-00	. CAP	1	
21	341-14991-00-00	. SCREW	1	
22	26H-14952-00-00	. WASHER	1	
23	22U-14115-00-00	. PLUG, SCREW	1	
24	22U-14561-00-00	. O-RING	1	
25	1FK-14985-00-00	. FLOAT	1	
26	22U-14565-00-00	. SCREW	1	
27	137-14153-00-00	. WASHER, MAIN JET	1	

CONTINUED ON NEXT FRAME ►

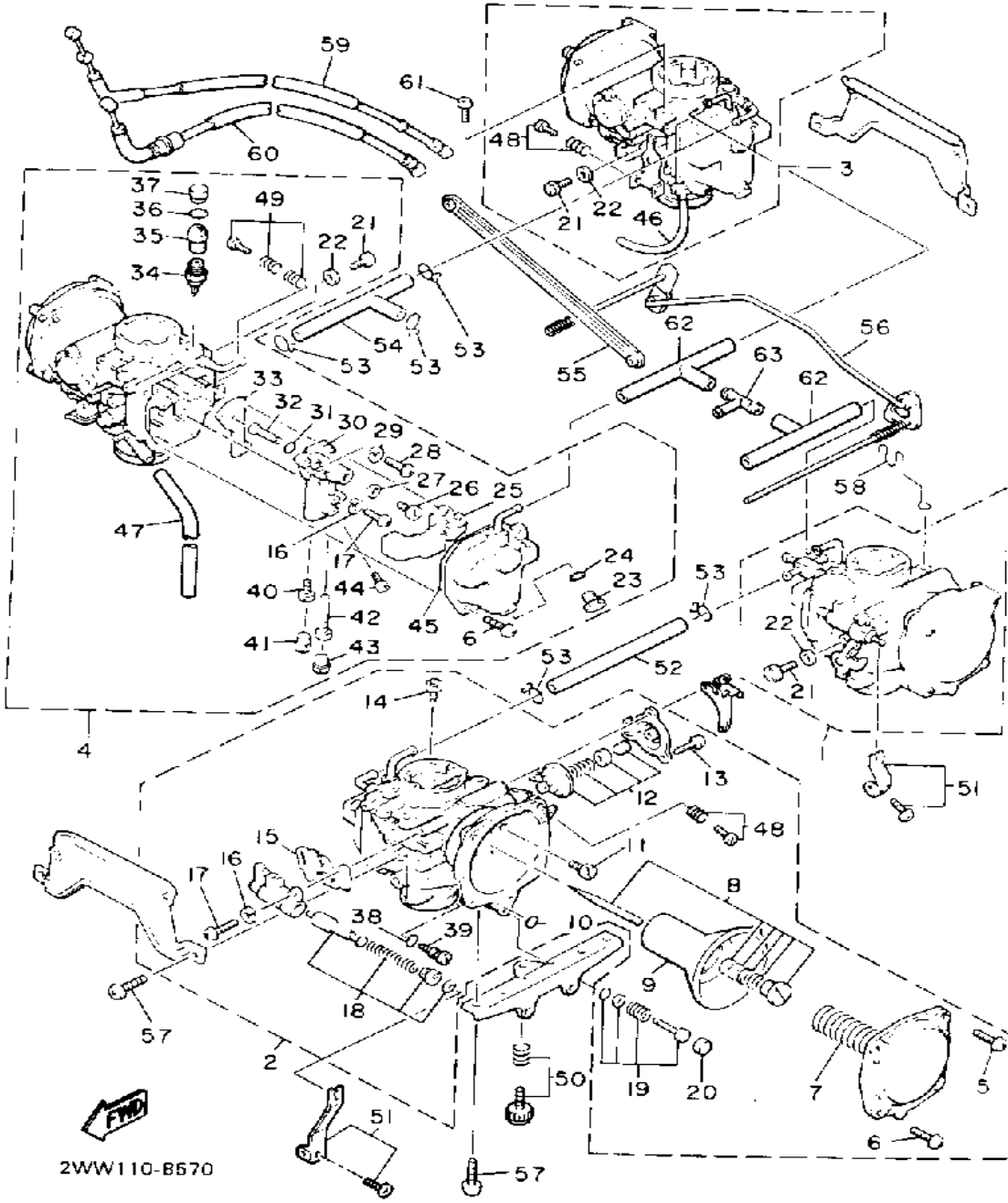
# CARBURETOR ( CALIFORNIA MODEL ON



Ref. No.	Part Number	Description	Qty	Remarks
28	98506-04018-00	. SCREW, PAN HEAD	1	
29	92901-04100-00	. WASHER, SPRING	1	
30	26H-1411A-00-09	. BLOCK JET ASSEMBLY (26H-1411A-00-00)	1	
31	22U-14147-00-00	. O-RING	1	
32	26H-14941-90-00	. NOZZLE, MAIN	1	
33	3JB-14199-00-00	. GASKET	1	
34	1FK-14190-15-00	. NEEDLE VALVE ASSEMBLY	1	
35	1J7-14994-00-00	. NET, FILTER	1	
36	1FK-14147-00-00	. O-RING	1	
37	41R-14118-01-00	. CAP	1	
38	241-14147-00-00	. O-RING	1	
39	2L1-14191-00-00	. PLUG, DRAIN	1	
40	4G0-14142-37-A0	. JET, PILOT #37.5 (4G0-14142-37-00)	1	
41	22V-14968-00-00	. CAP	1	
42	26H-1414G-00-00	. PIPE, MAIN BREED	1	
43	22U-14968-00-00	. CAP	1	
44	3G2-14231-25-00	. JET, MAIN (#125)	1	
45	22V-14147-00-00	. O-RING	1	
46	90445-07419-00	. HOSE	1	
47	90445-07419-00	. HOSE	1	
48	41W-1490K-00-00	. STOP SCREW SET	1	
49	41V-1490K-00-00	. STOP SCREW SET	1	
50	41V-14103-00-00	THROTTLE SCREW SET	1	
51	(41V-1490M-00-00)	STARTER LEVR SET 2	4	
52	31H-14987-00-00	HOSE	1	
53	90467-10008-00	CLIP	5	
54	26H-14987-00-00	HOSE	1	

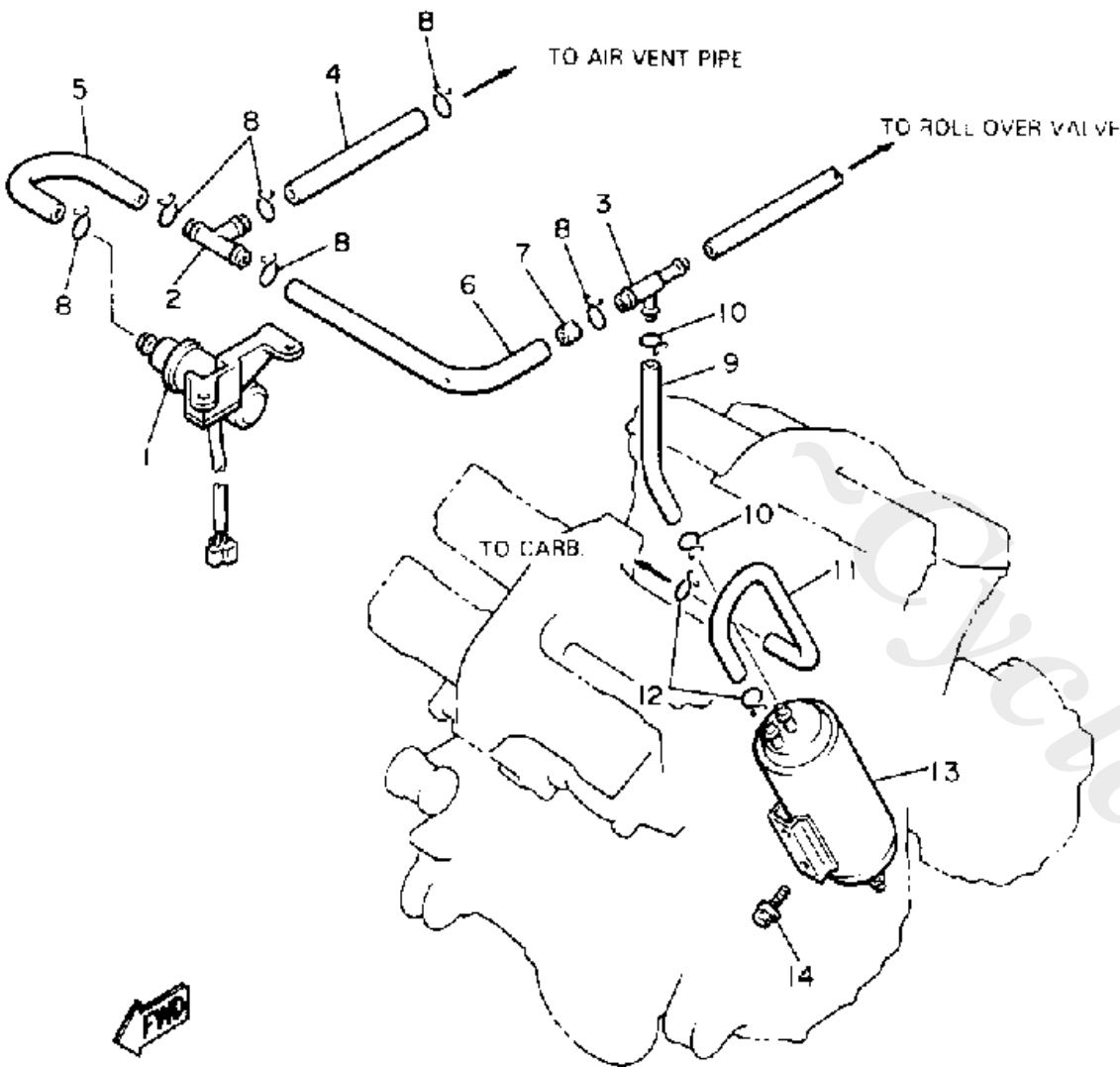
CONTINUED ON NEXT FRAME ►

# CARBURETOR ( CALIFORNIA MODEL ON



Ref. No.	Part Number	Description	Qty	Remarks
55	41-V1450-40-00	ROD SET .....	1	
56	41V-1490L-00-00	STARTER LEVER SET, 1 .....	1	
57	98580-06010-00	SCREW, PAN HEAD (92503-06010) .....	16	
58	(26H-14139-00-00)	CLIP, PIPE .....	1	
59	41V-2631J-00-00	CABLE, throttle 4 .....	1	
60	41V-26313-01-00	CABLE, throttle 3 .....	1	
61	98580-05010-00	SCREW, PAN HEAD .....	9	
62	1UN-14197-00-00	PIPE .....	2	
63	90413-11025-00	WAY 3 .....	1	

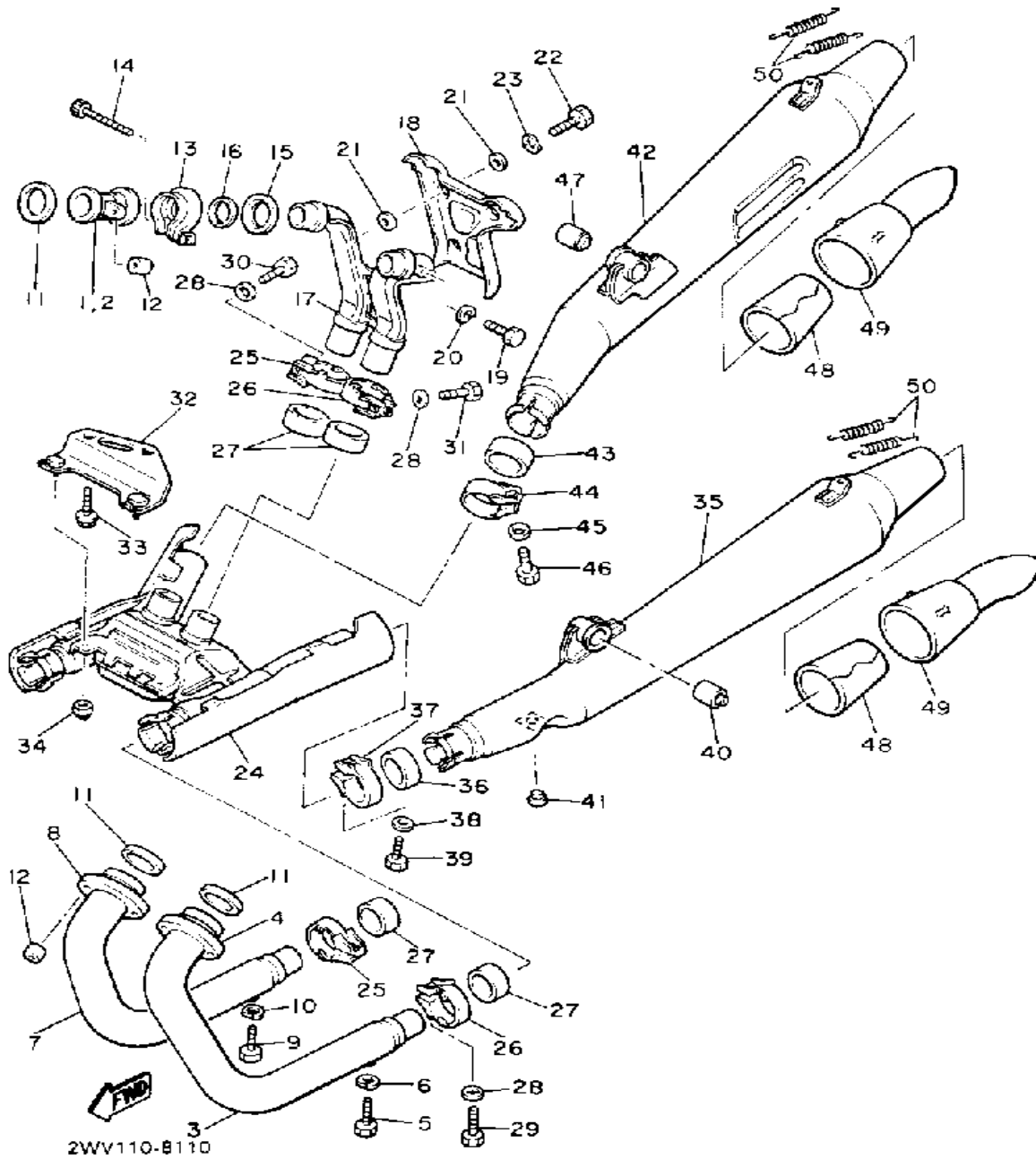
# EMISSION CONTROL DEVICE (CALIF - MOD)



2WW110-8560

Ref. No.	Part Number	Description	Qty	Remarks
1	1UN-14895-00-00	VALVE, CONTROL	1	
2	90413-11025-00	WAY 3	1	
3	90413-11026-00	WAY 3	1	
4	90445-135E2-00	HOSE	1	
5	(1UN-14872-00-00)	PIPE 2	1	
6	(1UN-14873-00-00)	PIPE 3	1	
7	(1UN-15138-00-00)	NOZZLE 1	1	
8	90467-13042-00	CLIP	6	
9	90445-09064-00	HOSE	1	
10	90467-09006-00	CLIP	2	
11	(59K-24313-00-00)	PIPE 3	1	
12	90467-10008-00	CLIP	6	
13	59K-24170-00-00	CANISTER ASS'Y	1	
14	95826-06010-00	BOLT, FLANGE	2	

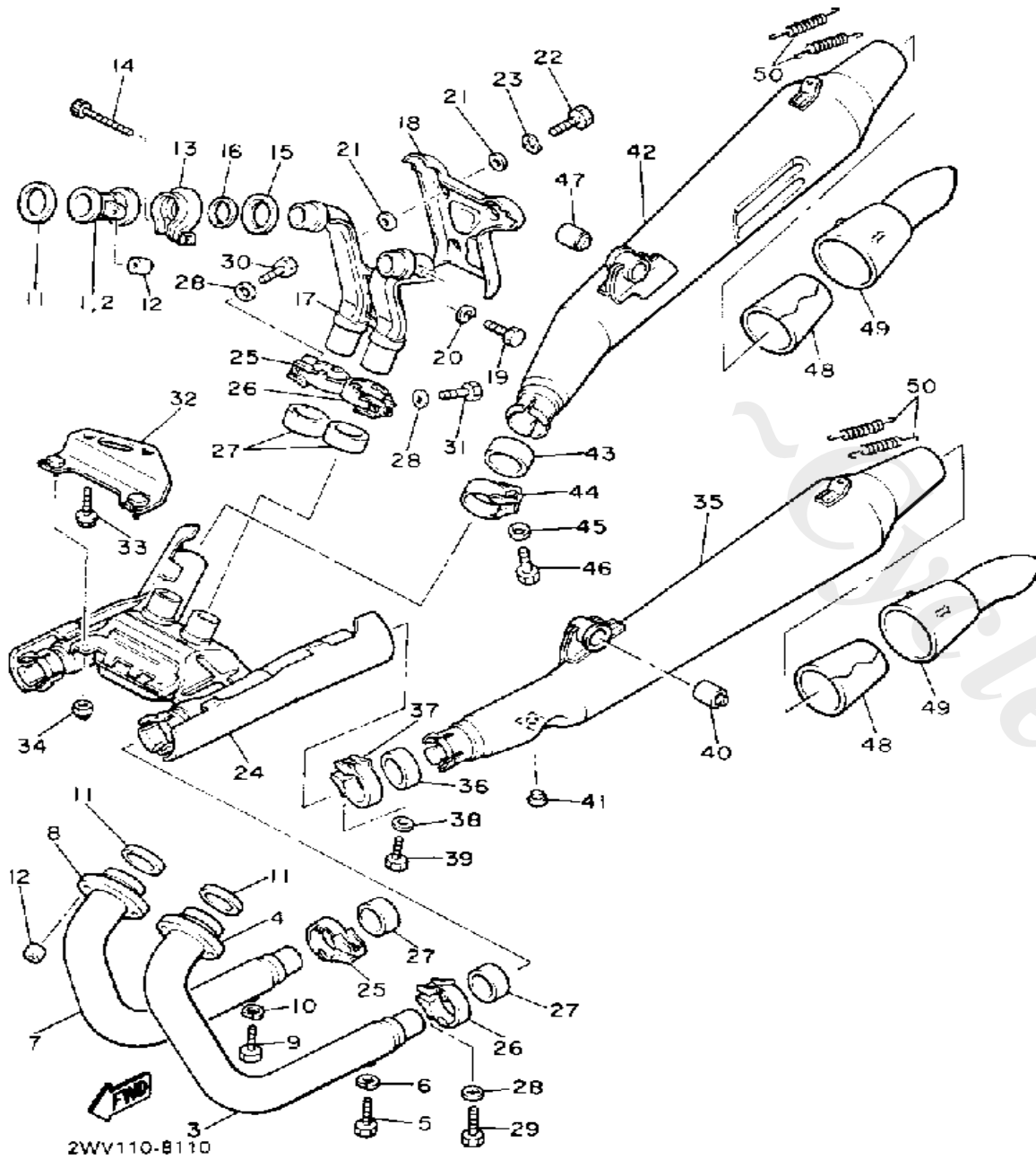
# EXHAUST



Ref. No.	Part Number	Description	Qty	Remarks
1	26H-14611-01-00	PIPE, exhaust 1 .....	1	REAR LEFT
2	26H-14631-01-00	PIPE, exhaust 3 .....	1	REAR RIGHT
3	26H-14621-02-00	PIPE, exhaust 2 .....	1	FRONT LEFT
4	26H-14612-00-00	NUT, ring .....	1	
5	90101-06576-00	BOLT .....	1	
6	92995-06100-00	WASHER, SPRING .....	1	
7	26H-14641-02-00	PIPE, exhaust 4 .....	1	FRONT RIGHT
8	26H-14612-00-00	NUT, ring .....	1	
9	90101-06576-00	BOLT .....	1	
10	92995-06100-00	WASHER, SPRING .....	1	
11	90430-38054-00	GASKET .....	4	
12	90179-08599-00	NUT .....	8	
13	26H-14715-01-00	BAND, MUFFLER .....	2	
14	90110-06054-00	BOLT, HEXAGON SOCKET HEAD .....	2	
15	26H-14618-00-00	RING, stopper .....	2	
16	26H-14613-01-00	GASKET, exhaust pipe .....	2	
17	26H-14615-01-00	JOINT, exhaust 1 .....	1	
18	26H-14624-01-00	COVER, exhaust .....	1	
19	90101-06576-00	BOLT .....	2	
20	92995-06100-00	WASHER, SPRING .....	2	
21	90202-05187-00	WASHER, PLATE .....	6	
22	90101-06576-00	BOLT .....	3	
23	90206-06090-00	WASHER, WAVE .....	3	
24	26H-14731-02-00	CHAMBER 1 .....	1	
25	26H-14788-01-00	BAND, silencer .....	2	
26	26H-14789-01-00	BAND, silencer .....	2	
27	3JJ-14623-00-00	GASKET, EXST PIPE .....	4	
28	92901-08600-00	WASHER .....	4	

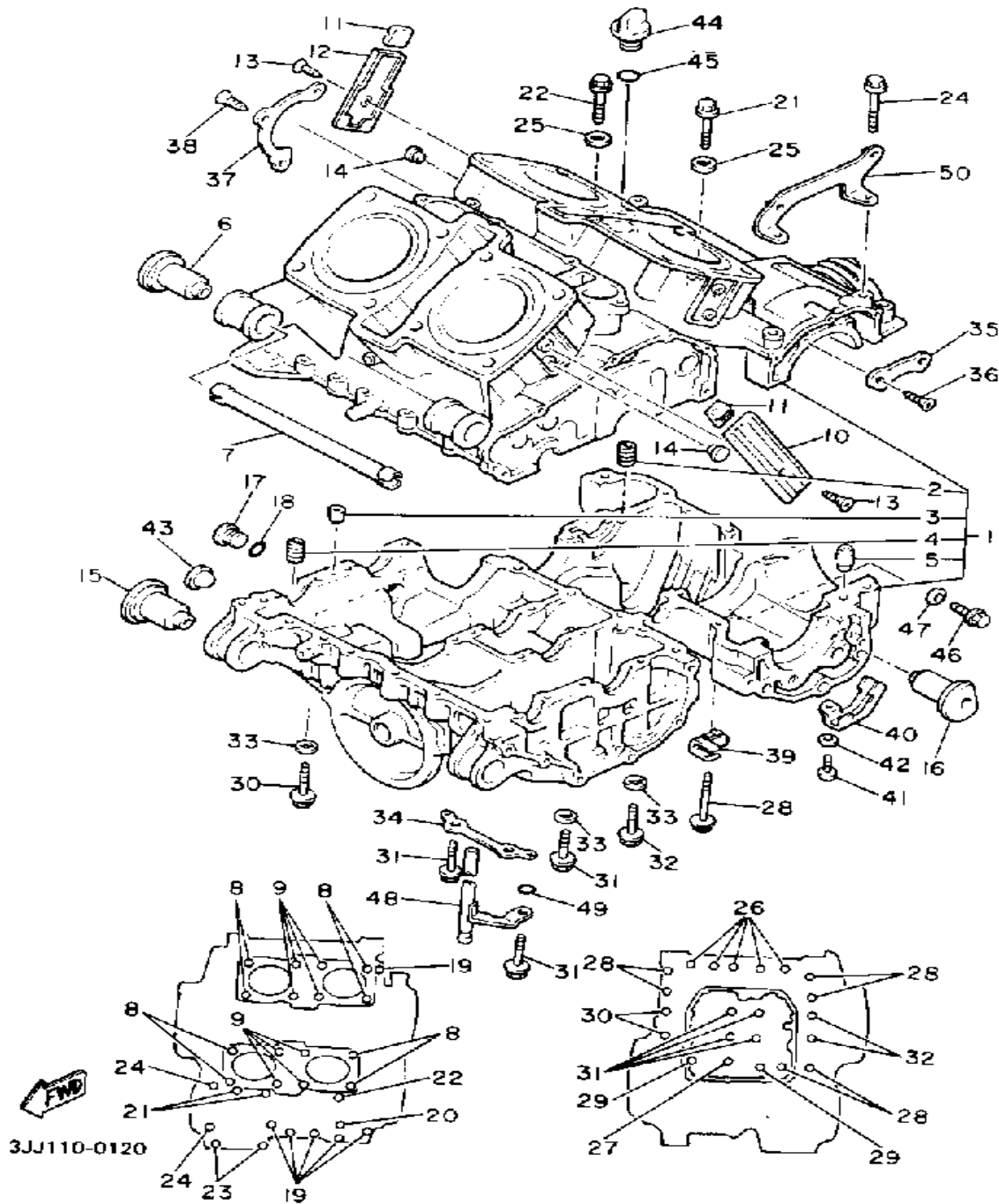
CONTINUED ON NEXT FRAME ►

# EXHAUST



Ref. No.	Part Number	Description	Qty	Remarks
29	97011-08025-00	BOLT	2	
30	97011-08020-00	BOLT	1	
31	97011-08025-00	BOLT	1	
32	26H-14772-01-00	STAY, muffler 2	1	
33	95821-08020-00	BOLT, FLANGE (95801-08020)	2	
34	95601-08200-00	NUT, U	2	
35	1NL-14711-00-00	MUFFLER 1	1	
36	3JJ-14653-00-00	GASKET, EXHAUST 4	1	
37	26H-14797-00-00	BAND, silence 4	1	
38	92901-08600-00	WASHER	1	
39	97011-08025-00	BOLT	1	
40	26H-27414-00-00	DAMPER, FOOTREST	1	
41	1A0-27114-00-00	STOPPER, MAIN STAND	1	
42	1NL-14721-01-00	MUFFLER 2	1	
43	3JJ-14653-00-00	GASKET, EXHAUST 4	1	
44	26H-14796-00-00	BAND, silencer 4	1	
45	92901-08600-00	WASHER	1	
46	97011-08025-00	BOLT	1	
47	26H-27414-00-00	DAMPER, FOOTREST	1	
48	1NL-14739-00-00	GASKET, muffler damper 1	2	
49	1NL-14746-00-00	GASKET, muffler damper 1	2	
50	90506-11392-00	SPRING, tension	4	

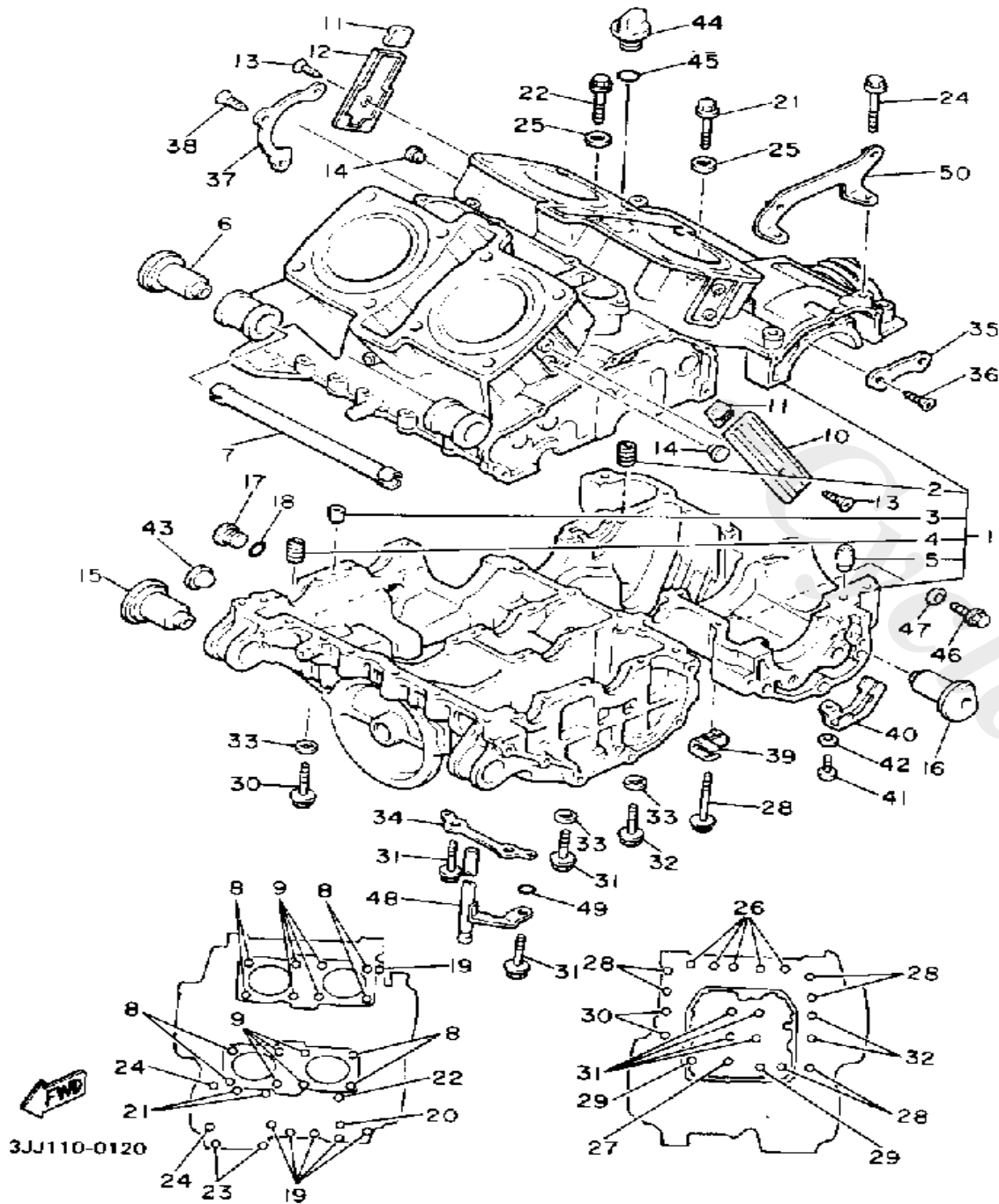
# CRANKCASE



Ref. No.	Part Number	Description	Qty	Remarks
1	1NL-15100-00-00	CRANKCASE ASS'Y	1	
2	26H-15138-00-00	. NOZZLE 1	1	
3	ø26-H1514-80-00	. NOZZLE 2	1	
4	4G0-15138-00-00	. NOZZLE 1	1	
5	99530-10014-00	. PIN, DOWEL	1	
6	1AA-15336-00-00	DAMPER, ENGINE MOUNT 3	2	
7	ø26-H1531-70-00	UNAVAILABLE IN PRICE BOOK	1	
8	90116-10411-00	BOLT, STUD	8	
9	90116-10411-00	BOLT, STUD	8	
10	26H-15417-01-00	COVER, cap	2	FOR FRONT CYLINDER
11	26H-15326-00-00	DAMPER, engine mount 2	4	
12	26H-15417-01-00	COVER, cap	2	FOR FRONT CYLINDER
13	98780-06016-00	SCREW, FLAT HEAD (92603-06016)	4	
14	90338-11152-00	PLUG	4	
15	1AA-15336-00-00	DAMPER, ENGINE MOUNT 3	2	
16	1AA-15326-00-00	DAMPER, ENGINE MOUNT 2	2	
17	4H7-15189-00-00	PLUG	1	
18	93210-20573-00	O-RING	1	
19	95811-06045-00	BOLT, flange (95812-06045-00)	6	
20	95811-06070-00	BOLT, FLANGE	1	
21	95811-06090-00	BOLT, FLANGE	2	
22	95816-06095-00	BOLT, FLANGE	1	
23	95811-08045-00	BOLT, FLANGE (JN5)	2	
24	95811-08080-00	BOLT, FLANGE	2	
25	90430-06166-00	GASKET	2	
26	95811-08050-00	BOLT, FLANGE (95812-08050)	5	
27	95811-08065-00	BOLT, FLANGE	1	

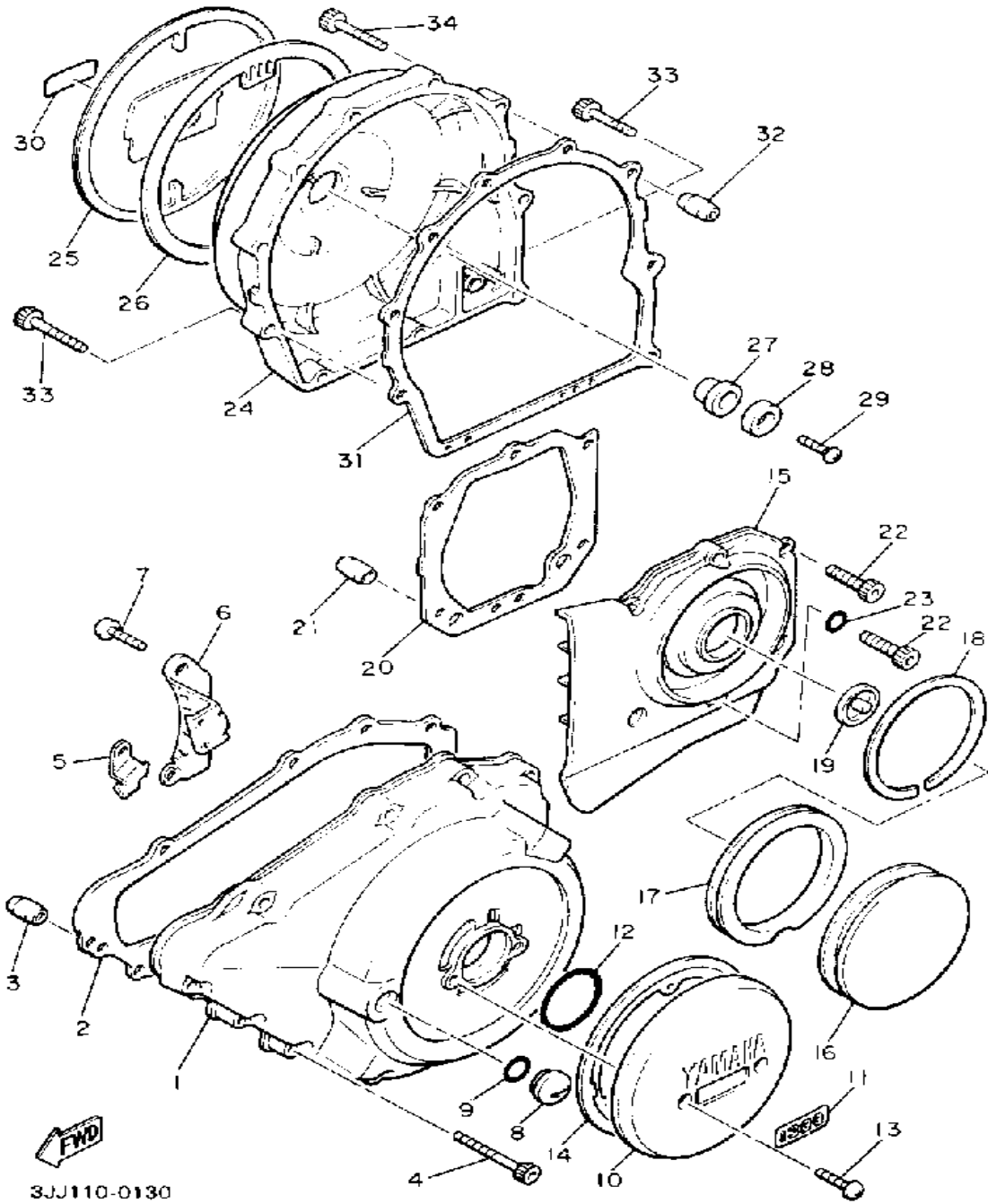
CONTINUED ON NEXT FRAME ►

# CRANKCASE



Ref. No.	Part Number	Description	Qty	Remarks
28	95811-08080-00	BOLT, FLANGE .....	6	
29	95811-08095-00	BOLT, FLANGE .....	2	
30	90105-10247-00	BOLT, WASHER BASED .....	2	
31	90105-10248-00	BOLT, WASHER BASED .....	4	
32	90105-10249-00	BOLT, WASHER BASED .....	2	
33	90201-10131-00	WASHER, PLATE .....	6	
34	26H-15113-00-00	PLATE .....	1	
35	26H-15381-00-00	PLATE, BEARING COVER .....	2	
36	90149-08152-00	SCREW .....	4	
37	26H-15383-00-00	PLATE, BEARING COVER .....	1	
38	90151-06041-00	SCREW, COUNTERSUNK .....	3	
39	90465-08233-00	CLAMP .....	1	
40	(90465-08263-00)	CLAMP .....	1	
41	98580-06012-00	SCREW, PAN HEAD .....	1	
42	92901-06600-00	WASHER .....	1	
	92901-06600-00	WASHER .....	2	
43	2H7-15361-00-00	GAUGE, LEVEL .....	1	
44	2H7-15363-00-00	PLUG, OIL .....	1	
45	93210-27778-00	O-RING .....	1	
46	95801-12016-00	BOLT, FLANGE .....	1	
47	90201-12790-00	WASHER, PLATE .....	1	
48	26H-15373-00-00	PIPE, BREATHER .....	1	
49	93210-06667-00	O-RING .....	1	
50	26H-15199-00-00	BRACKET .....	1	

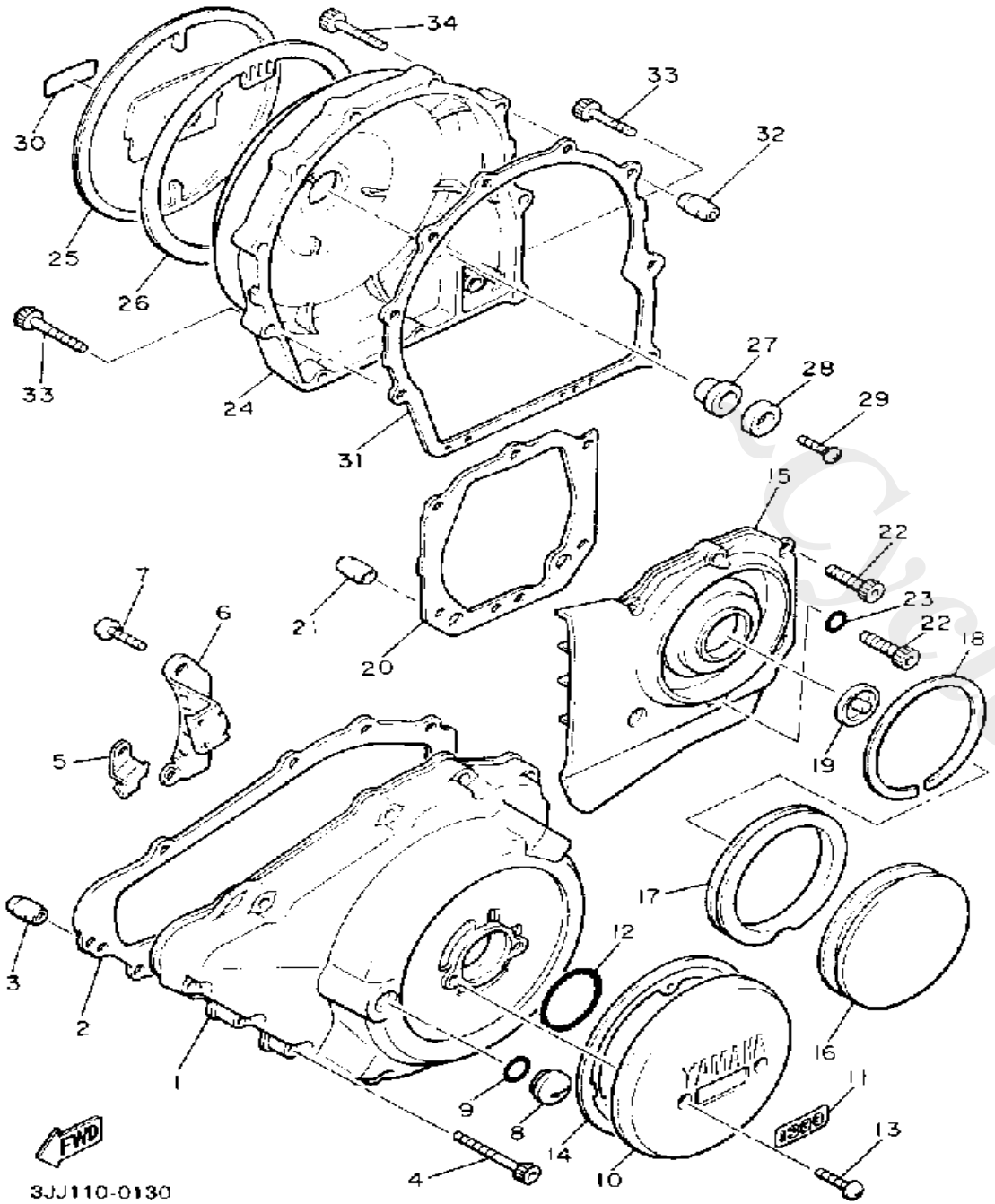
# CRANKCASE COVER



Ref. No.	Part Number	Description	Qty	Remarks
1	26H-15411-00-00	COVER, crankcase 1	1	
2	3JP-15451-00-00	GASKET, CRANKCASE COVER 1	1	
3	99530-10014-00	PIN, DOWEL	2	
4	91311-06030-00	BOLT, SOCKET HEAD	11	
5	90462-06192-00	CLAMP	1	
6	90465-08220-00	CLAMP	1	
7	98503-06014-00	SCREW, PAN HEAD (92502-06016)	1	
8	90340-14068-00	PLUG, STRAIGHT SCREW	1	
9	93210-14369-00	O-RING	1	
10	26H-15427-01-00	COVER, cap 2	1	
11	1NL-15447-00-00	EMBLEM	1	
12	93210-45150-00	O-RING	1	
13	98780-06016-00	SCREW, FLAT HEAD (92603-06016)	2	
14	26H-15455-01-00	GASKET 1	1	
15	26H-15421-04-00	COVER, crankcase 2	1	
16	26H-15428-00-00	COVER, chain case 2	1	
17	26H-15337-01-00	DAMPER 4	1	
18	90468-98132-00	CLIP	1	
19	26H-15338-00-00	DAMPER, ENGINE MOUNT 5	1	
20	3JP-15461-00-00	GASKET, CRANKCASE COVER 2	1	
21	99530-10014-00	PIN, DOWEL	2	
22	91311-06025-00	BOLT, SOCKET HEAD	6	
23	90430-06014-00	GASKET	1	
24	1NL-15431-00-00	COVER, crankcase 3	1	
25	26H-15418-01-00	COVER, chain case	1	
26	26H-15449-00-00	RING, RUBBER	1	

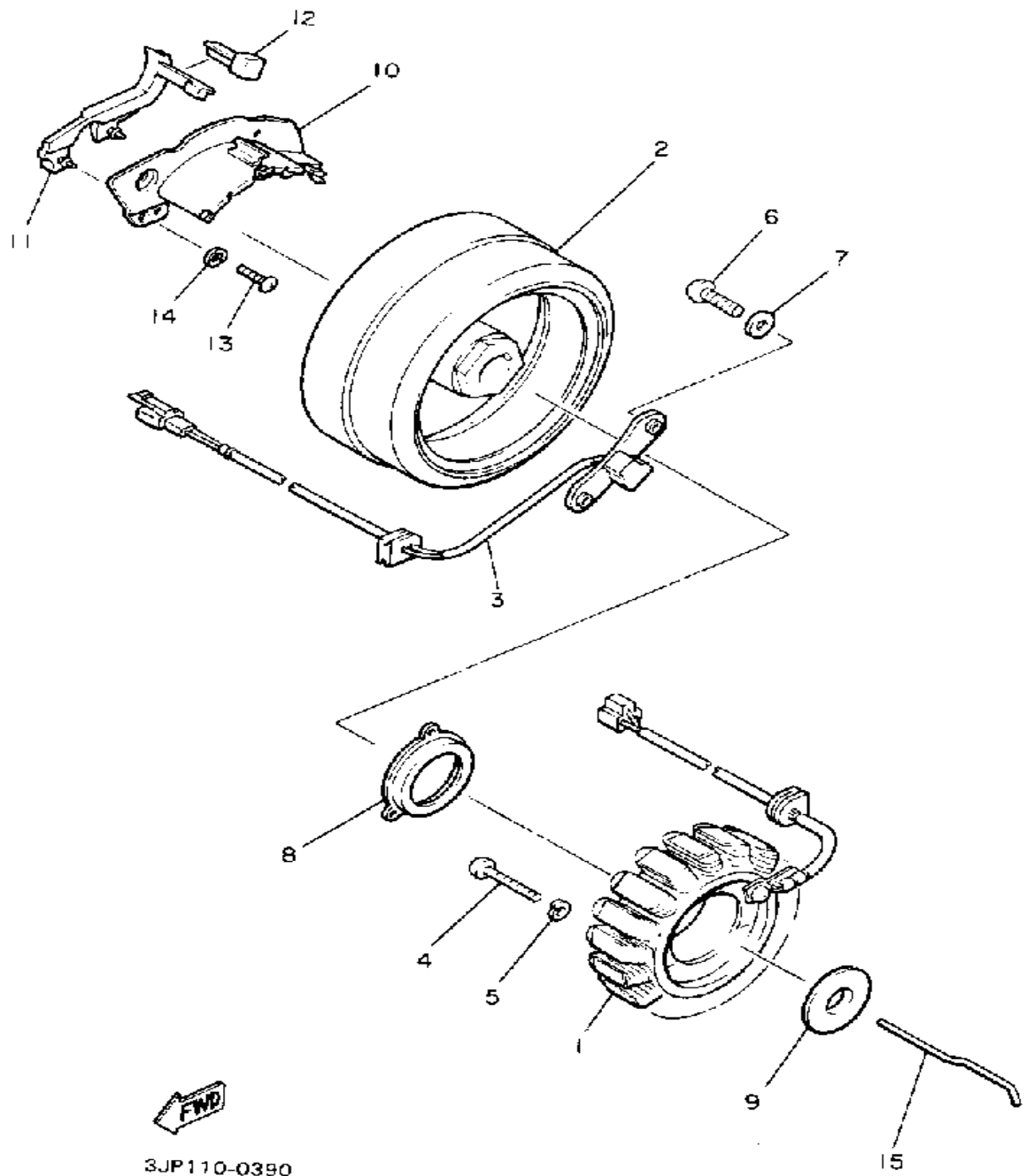
CONTINUED ON NEXT FRAME ►

# CRANKCASE COVER



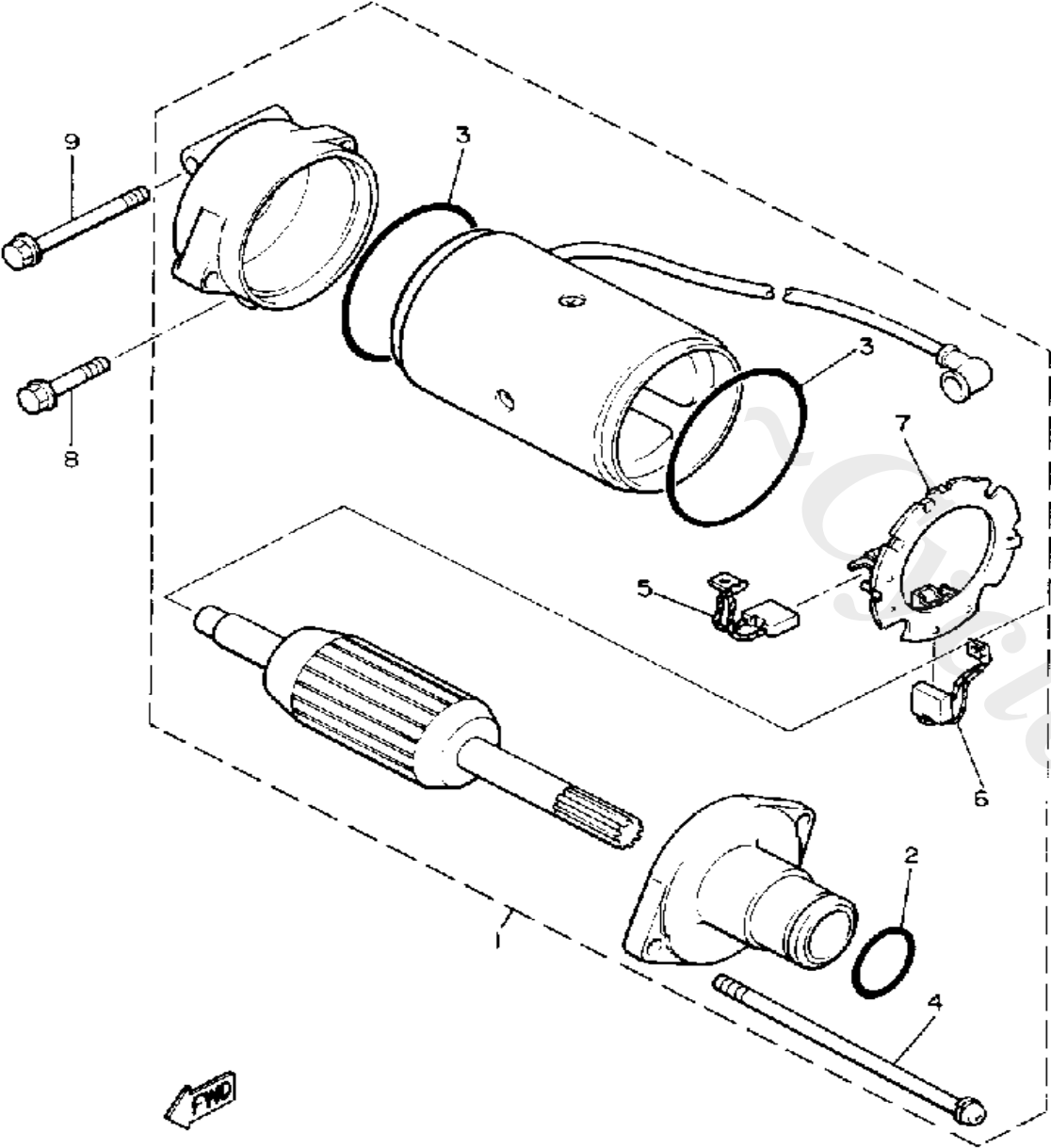
Ref. No.	Part Number	Description	Qty	Remarks
27	4H7-15486-00-00	GROMMET .....	1	
28	90209-06096-00	WASHER .....	1	
29	98580-06008-00	SCREW, PAN HEAD .....	1	
30	1NL-15447-00-00	EMBLEM .....	1	
31	3JP-15462-00-00	GASKET, CRANKCASE COVER 3 .....	1	
32	99530-10014-00	PIN, DOWEL .....	2	
33	91311-06025-00	BOLT, SOCKET HEAD .....	7	
34	91311-06035-00	BOLT, SOCKET HEAD .....	2	

# GENERATOR



Ref. No.	Part Number	Description	Qty	Remarks
1	3JJ-81410-00-00	STATOR ASS'Y	1	
2	3JJ-81450-00-00	ROTOR ASS'Y	1	
3	3UF-81670-00-00	PICK-UP ASSEMBLY	1	
4	98580-06545-00	SCREW PAN HEAD (92503-06045)	3	
5	92995-06100-00	WASHER, SPRING	3	
6	98503-06014-00	SCREW, PAN HEAD (92502-06016)	2	
7	90201-06643-00	WASHER, PLATE	2	
8	59J-15113-00-00	PLATE	1	
9	59J-15191-00-00	PLATE	1	
10	(1FK-15358-00-00)	SEPARATOR, OIL	1	
11	1FK-15379-00-00	SEAL, CRANKCASE	1	
12	1FK-15494-00-00	SEAL, PROTECTOR	1	
13	98580-06012-00	SCREW, PAN HEAD	4	
14	92995-06100-00	WASHER, SPRING	4	
15	59J-11455-00-00	SHAFT 1	1	

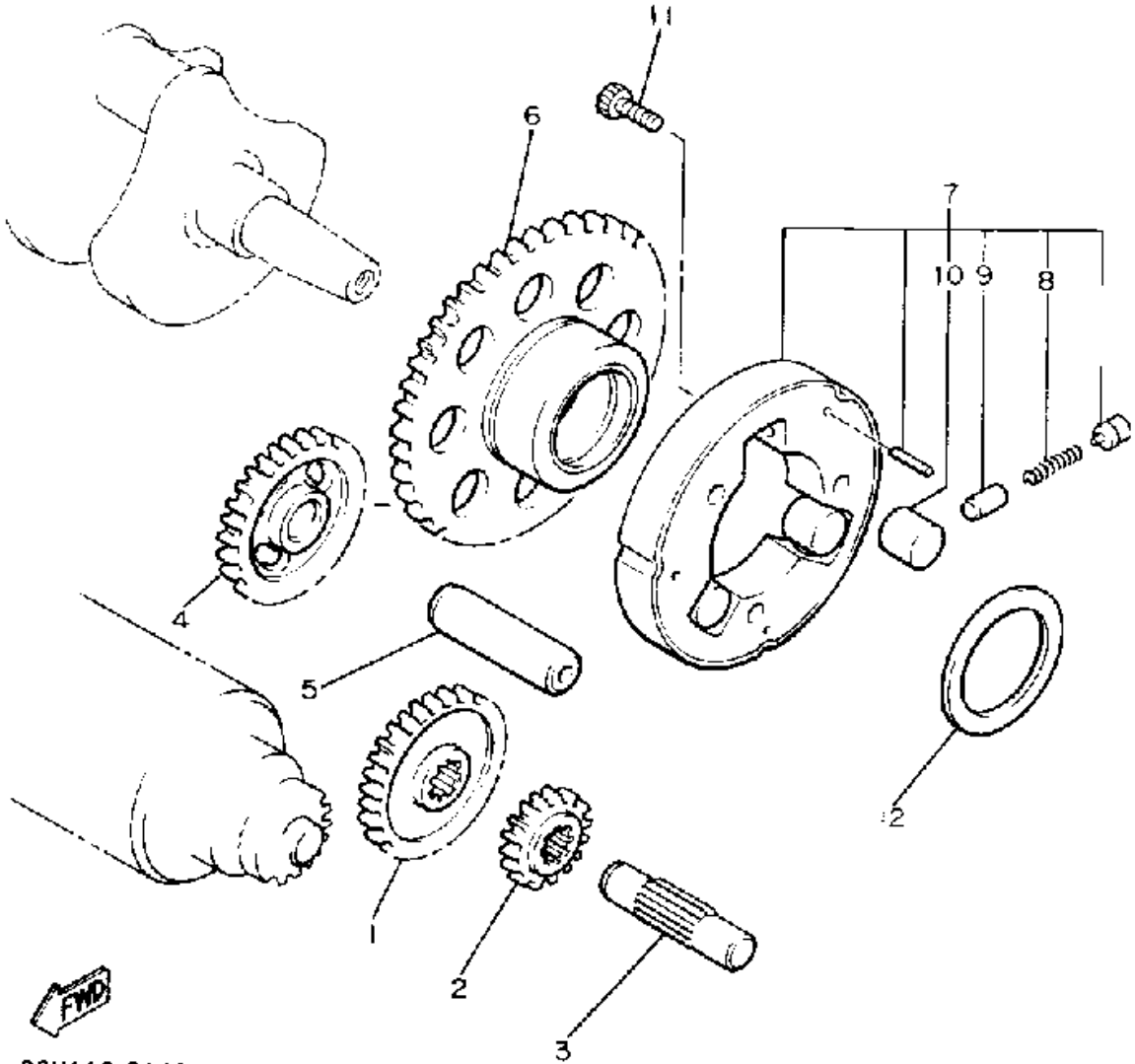
# STARTING MOTOR



26H110-3460

Ref. No.	Part Number	Description	Qty	Remarks
1	26H-81800-10-00	STARTING MOTOR ASS'Y	1	
2	26H-81847-00-00	. O-RING	1	
3	371-81847-20-00	. O-RING	2	
4	22U-81826-00-00	. BOLT	2	
5	371-81811-20-00	. BRUSH 1	1	
6	371-81812-20-00	. BRUSH 2	1	
7	1J7-81840-60-00	. BRUSH HOLDER ASSEMBLY	1	
8	95811-06025-00	BOLT, FLANGE	1	
9	95811-06055-00	BOLT, FLANGE (95802-06055)	1	

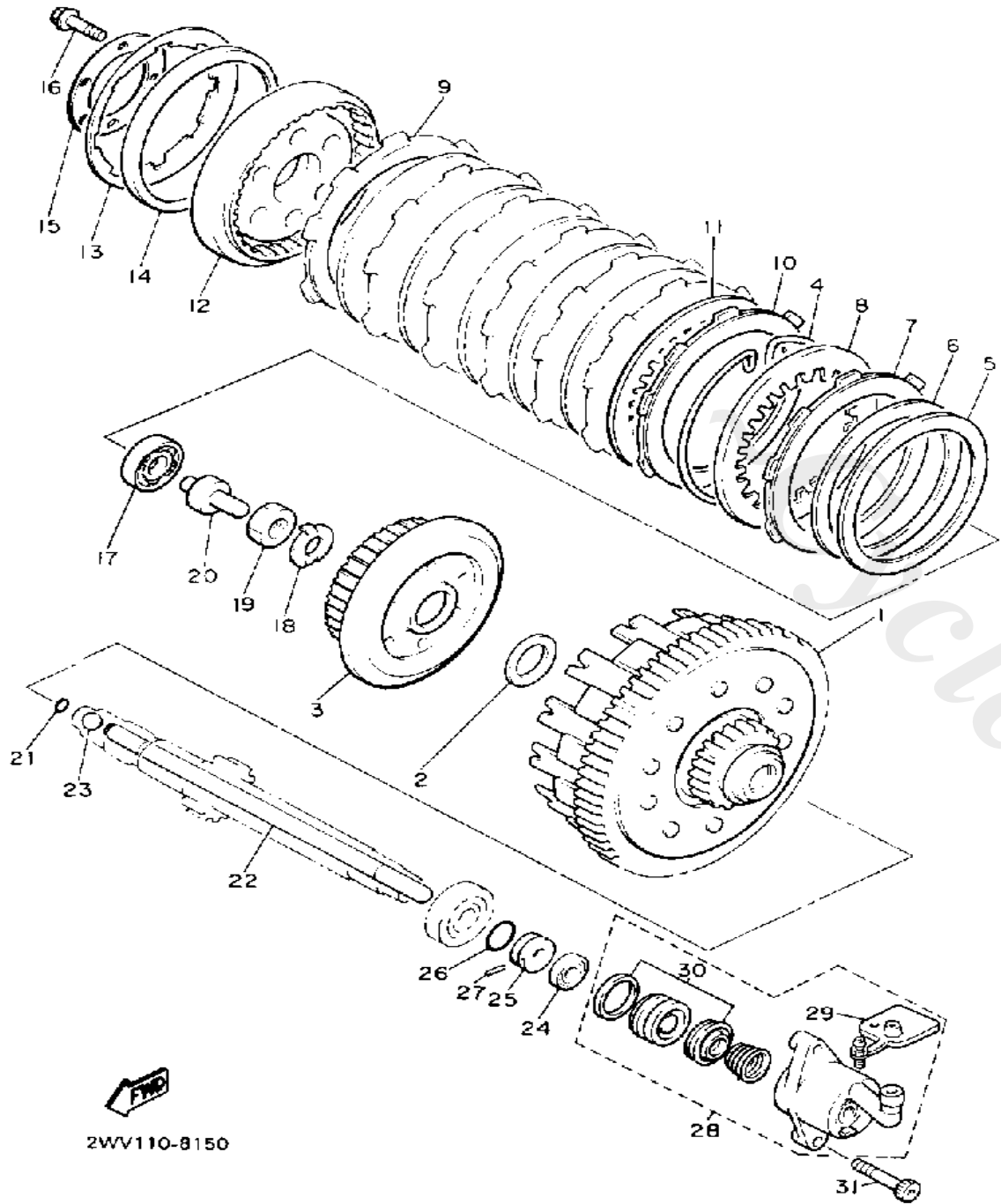
# STARTER CLUTCH



26H110-3140

Ref. No.	Part Number	Description	Qty	Remarks
1	26H-15514-00-00	GEAR 2 (42T) .....	1	
2	26H-15515-00-00	GEAR 3 (13T) .....	1	
3	26H-15522-00-00	SHAFT 2 .....	1	
4	26H-15512-00-00	GEAR, IDLER 1 (27T) .....	1	
5	26H-15521-00-00	SHAFT 1 .....	1	
6	26H-15517-00-00	GEAR, IDLER 2 (76T) .....	1	
7	11H-15580-00-00	STARTER CLUTCH OUTER ASSEMBLY .....	1	
8	90501-04623-00	. SPRING, COMPRESSION .....	3	
9	341-15583-05-00	. CAP, STR CLUTCH SPR -CLUTCH SPRING .....	3	
10	93615-12088-00	. PIN, DOWEL .....	3	
11	91316-08014-00	BOLT .....	3	
12	90201-350F3-00	WASHER, PLATE .....	1	

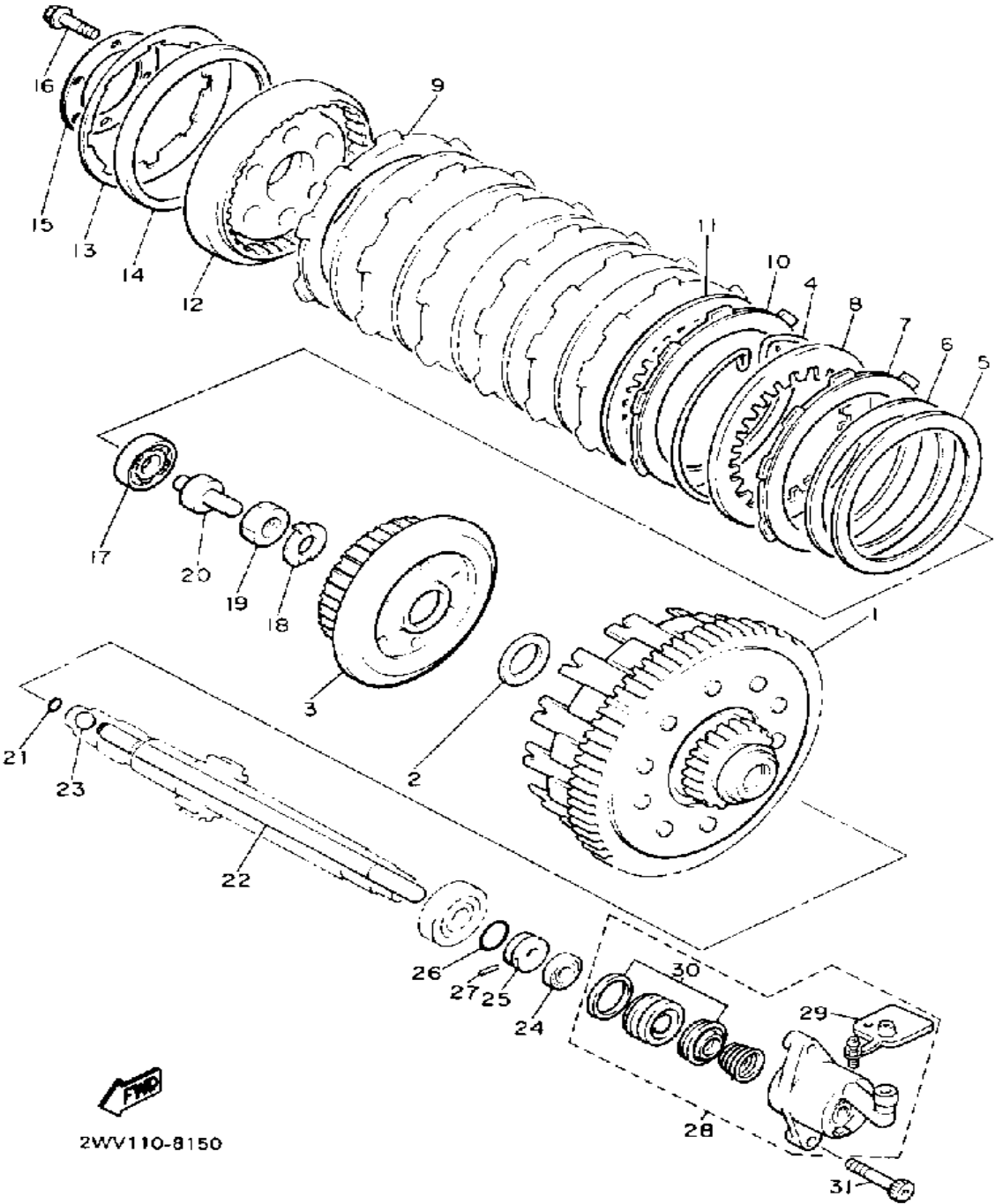
# CLUTCH



Ref. No.	Part Number	Description	Qty	Remarks
1	26H-16150-00-00	PRIMARY DRIVEN GEAR COMP. ....	1	
2	26H-16154-00-00	PLATE, THRUST 1 .....	1	
3	1FK-16371-00-00	BOSS, CLUTCH .....	1	
4	26H-16385-00-00	RING, CLUTCH BOSS .....	1	
5	26H-16384-00-00	PLATE, SEAT .....	1	
6	1FK-16383-00-00	SPRING, CLUTCH BOSS .....	1	
7	26H-16321-00-00	PLATE, FRICTION .....	1	
8	26H-16324-00-00	PLATE, CLUTCH 1 .....	1	
9	26H-16331-01-00	PLATE, FRICTION 2 .....	1	
10	26H-16307-00-00	PLATE, FRICTION 3 .....	6	
11	26H-16324-00-00	PLATE, CLUTCH 1 .....	6	
12	1FK-16351-00-00	PLATE, PRESSURE 1 .....	1	
13	1FK-16334-00-00	SPRING, CLUTCH 2 .....	1	
14	1FK-16335-00-00	HOUSING, SPRING .....	1	
15	1FK-16352-00-00	PLATE, PRESSURE 2 .....	1	
16	97011-06025-00	BOLT (97001-06025) .....	6	
17	93306-00315-00	BEARING (6003SH2C4) .....	1	
18	90215-25218-00	WASHER, LOCK .....	1	
19	90170-20323-00	NUT .....	1	
20	36Y-16356-00-00	ROD, PUSH 1 .....	1	
21	93210-06632-00	O-RING .....	1	
22	26H-16357-00-00	ROD, PUSH 2 .....	1	
23	93511-32027-00	BALL .....	1	
24	93109-08061-00	OIL SEAL .....	1	
25	26H-16399-00-00	GUIDE, PUSH ROD .....	1	
26	93210-18322-00	O-RING .....	1	
27	93603-07073-00	PIN, DOWEL .....	1	
28	1FK-16381-10-00	PUSH LEVER COMP. ....	1	

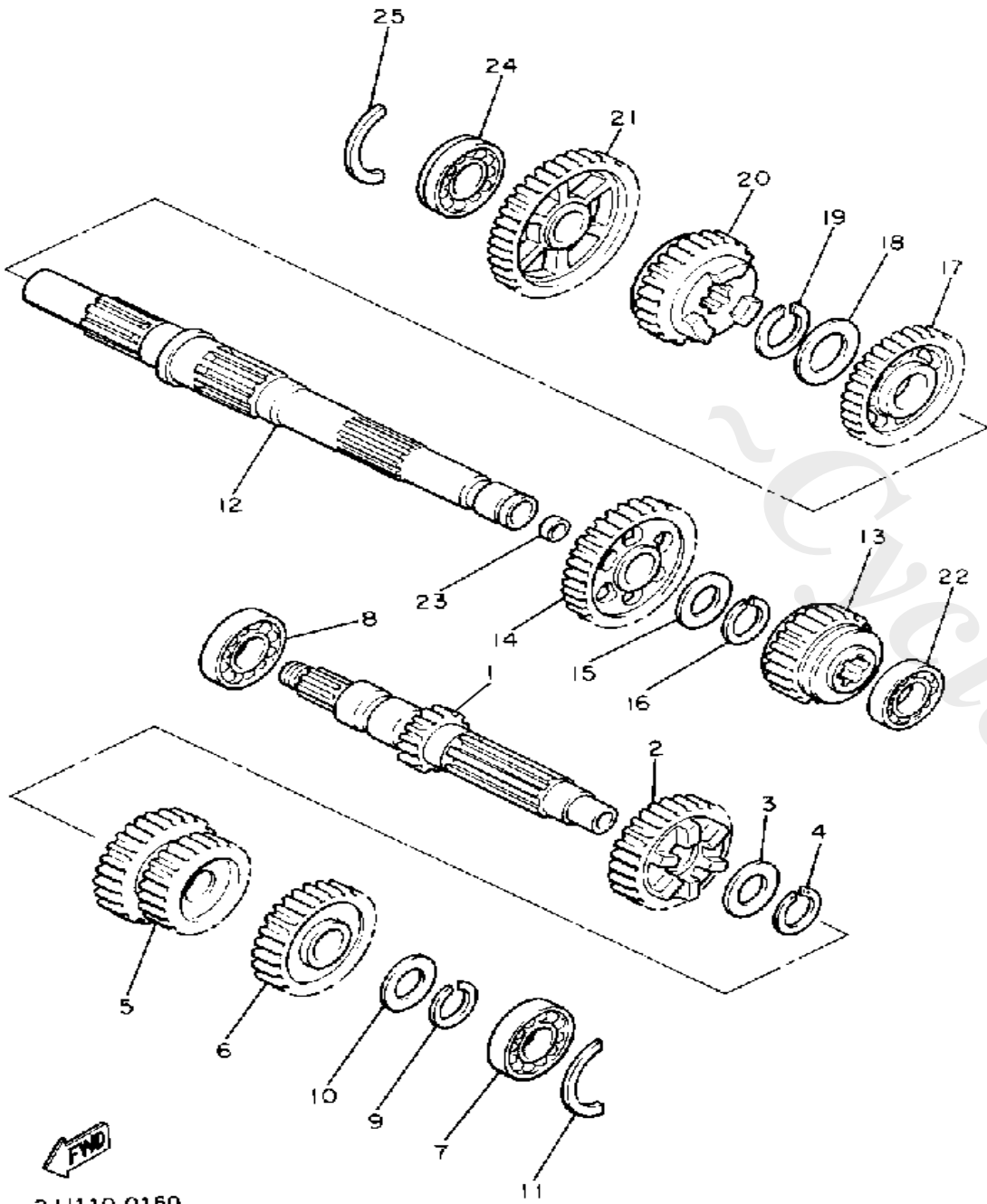
CONTINUED ON NEXT FRAME ►

# CLUTCH



Ref. No.	Part Number	Description	Qty	Remarks
29	1NL-W0048-00-00	. BLEED SCREW KIT .....	1	
30	26H-W0098-00-00	. PUSH LEVER SEAL KIT .....	1	
31	90110-06035-00	BOLT, HEXAGON SOCKET HEAD .....	2	

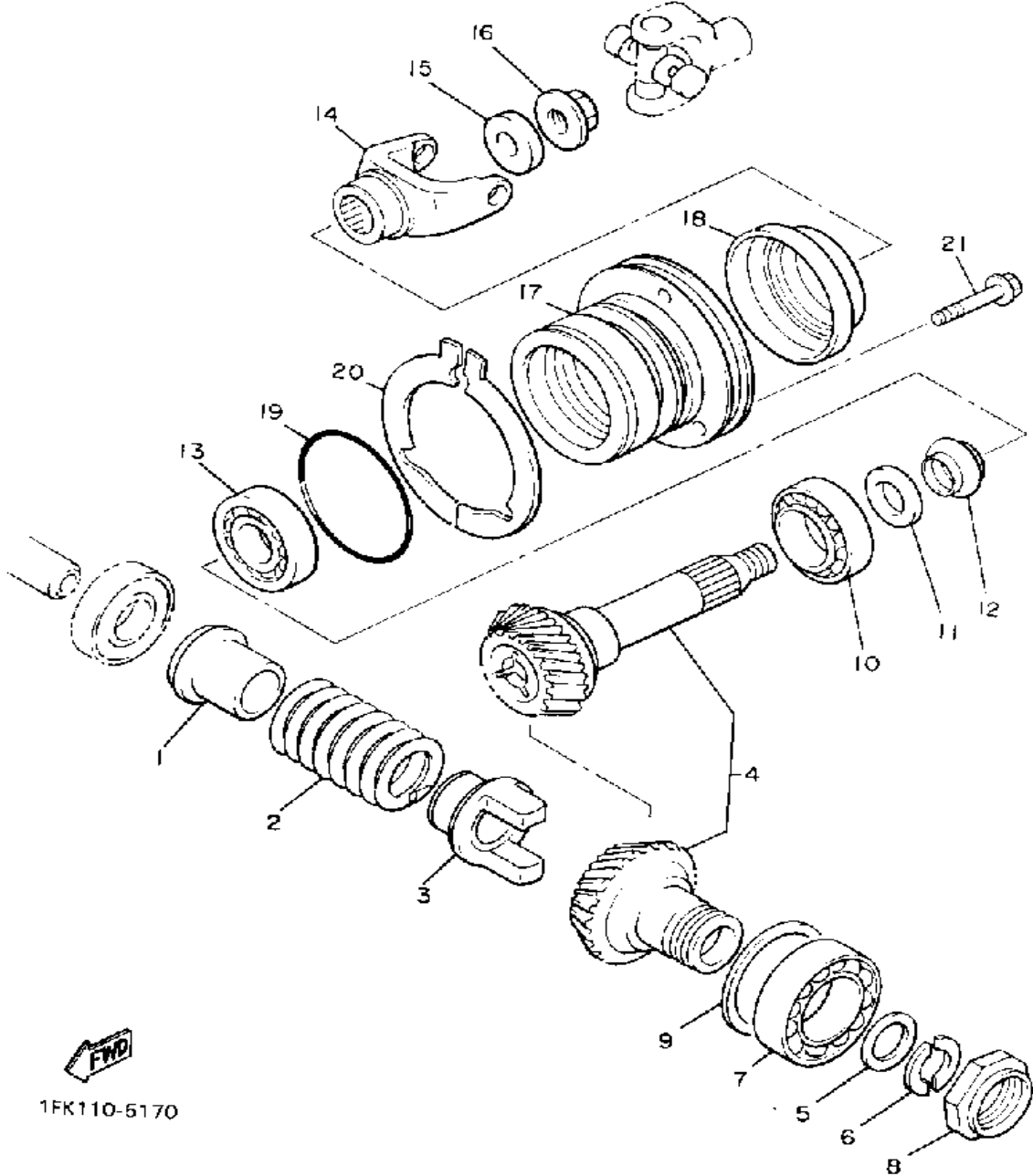
# TRANSMISSION



Ref. No.	Part Number	Description	Qty	Remarks
1	26H-17411-02-00	AXLE, main (15T)	1	
2	26H-17141-00-00	GEAR, 4th pinion (29T)	1	
3	90209-25196-00	WASHER	1	
4	93440-28062-00	CIRCLIP	1	
5	26H-17121-00-00	GEAR, 2nd/3rd pinion (22/23T)	1	
6	26H-17151-01-00	GEAR, 5th pinion (32T)	1	
7	93306-30430-00	BEARING	1	
8	93306-36401-00	BEARING	1	
9	93410-23056-00	CIRCLIP	1	
10	90201-232K5-00	WASHER, PLATE	1	
11	93440-52118-00	CIRCLIP	1	
12	26H-17421-01-00	AXLE, DRIVE	1	
13	26H-17251-01-00	GEAR, 5th wheel (29T)	1	
14	1FK-17221-01-00	GEAR, 2ND WHEEL (39T)	1	
15	90209-32231-00	WASHER	1	
16	93440-34025-00	CIRCLIP	1	
17	26H-17231-01-00	GEAR, 3RD WHEEL (31T)	1	
18	90209-27192-00	WASHER	1	
19	93440-30077-00	CIRCLIP	1	
20	26H-17241-00-00	GEAR, 4th wheel (31T)	1	
21	26H-17211-00-00	GEAR, 1st wheel (39T)	1	
22	93306-20629-00	BEARING	1	
23	90331-15039-00	PLUG	1	
24	93306-20555-00	BEARING	1	
25	93440-52118-00	CIRCLIP	1	

3JJ110-0160

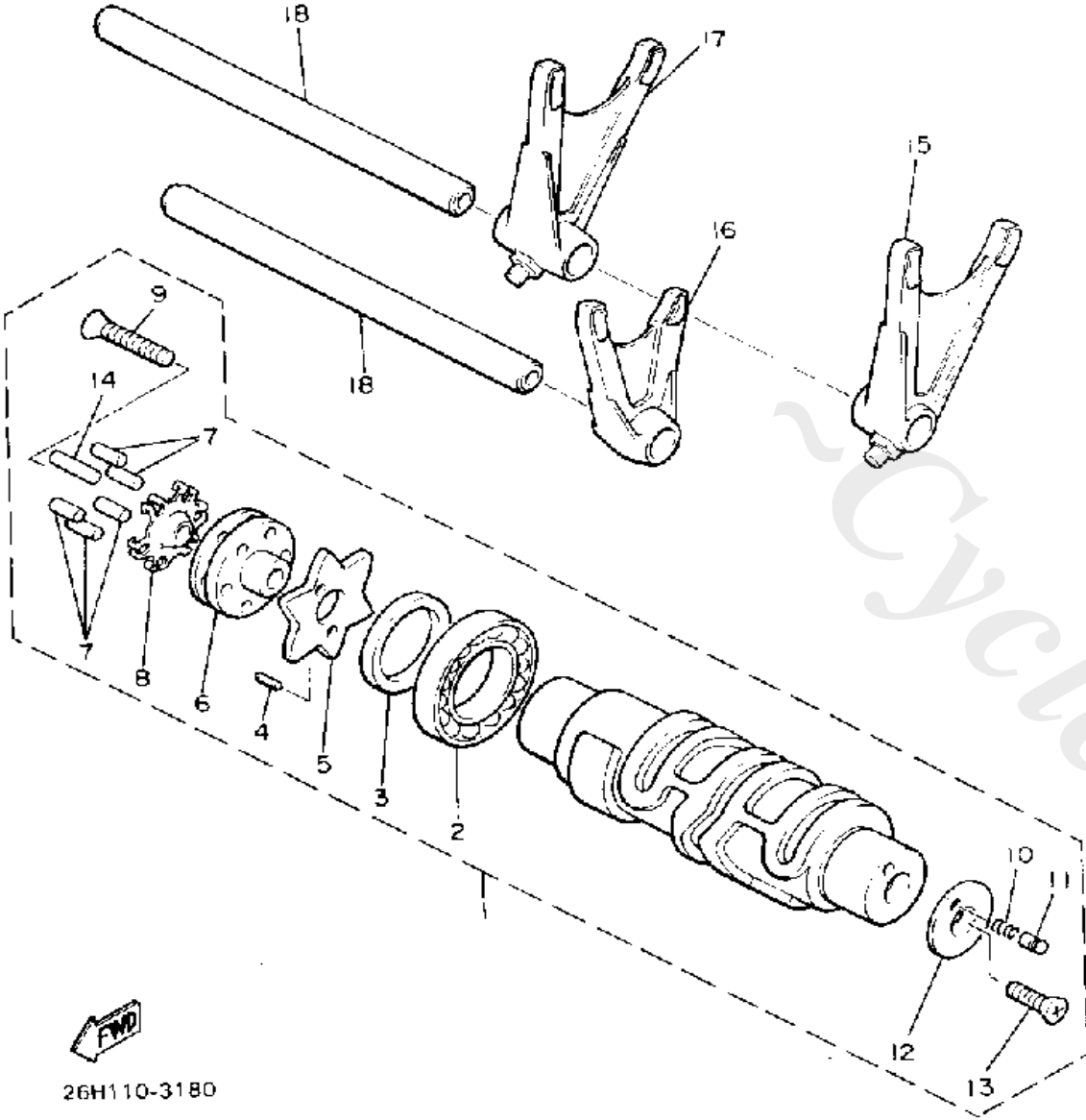
# MIDDLE DRIVE GEAR



Ref. No.	Part Number	Description	Qty	Remarks
1	2WE-17524-00-00	HOLDER	1	
2	90501-75638-00	SPRING, COMPRESSION	1	
3	2WE-17527-00-00	CAM, DRIVEN	1	
4	26H-W1751-00-00	MIDDLE GEAR COMP.	1	
5	90201-252K4-00	WASHER, PLATE	1	
6	90209-21281-00	WASHER	2	
7	93306-20901-00	BEARING (B6209RSH2-C2)	1	
8	90179-44328-00	NUT	1	
9	4X7-17531-00-15	SHIM, PINION (0.15T)	1	UR
	4X7-17531-00-30	SHIM, PINION (0.30T)	1	UR
	4X7-17531-00-50	SHIM, PINION (0.50T)	1	UR
10	93332-00028-00	BEARING	1	
11	90201-25634-00	WASHER, PLATE	1	
12	2H7-17571-01-00	SPACER, EXPANSION	1	
13	93332-00024-00	BEARING	1	
14	26H-17556-00-00	YOKE, JOINT	1	
15	90201-14633-00	WASHER, PLATE	1	
16	90179-14317-00	NUT, SPEC'L SHAPE	1	
17	26H-17551-00-00	HOUSING, BEARING	1	
18	93101-35085-00	OIL SEAL	1	
19	93210-71360-00	O-RING	1	
20	3UF-17531-00-30	SHIM, PINION (0.10T)	1	UR
	3UF-17531-10-00	SHIM, PINION (0.15T)	1	UR
21	95811-08030-00	BOLT, FLANGE	3	

FWD  
1FK110-5170

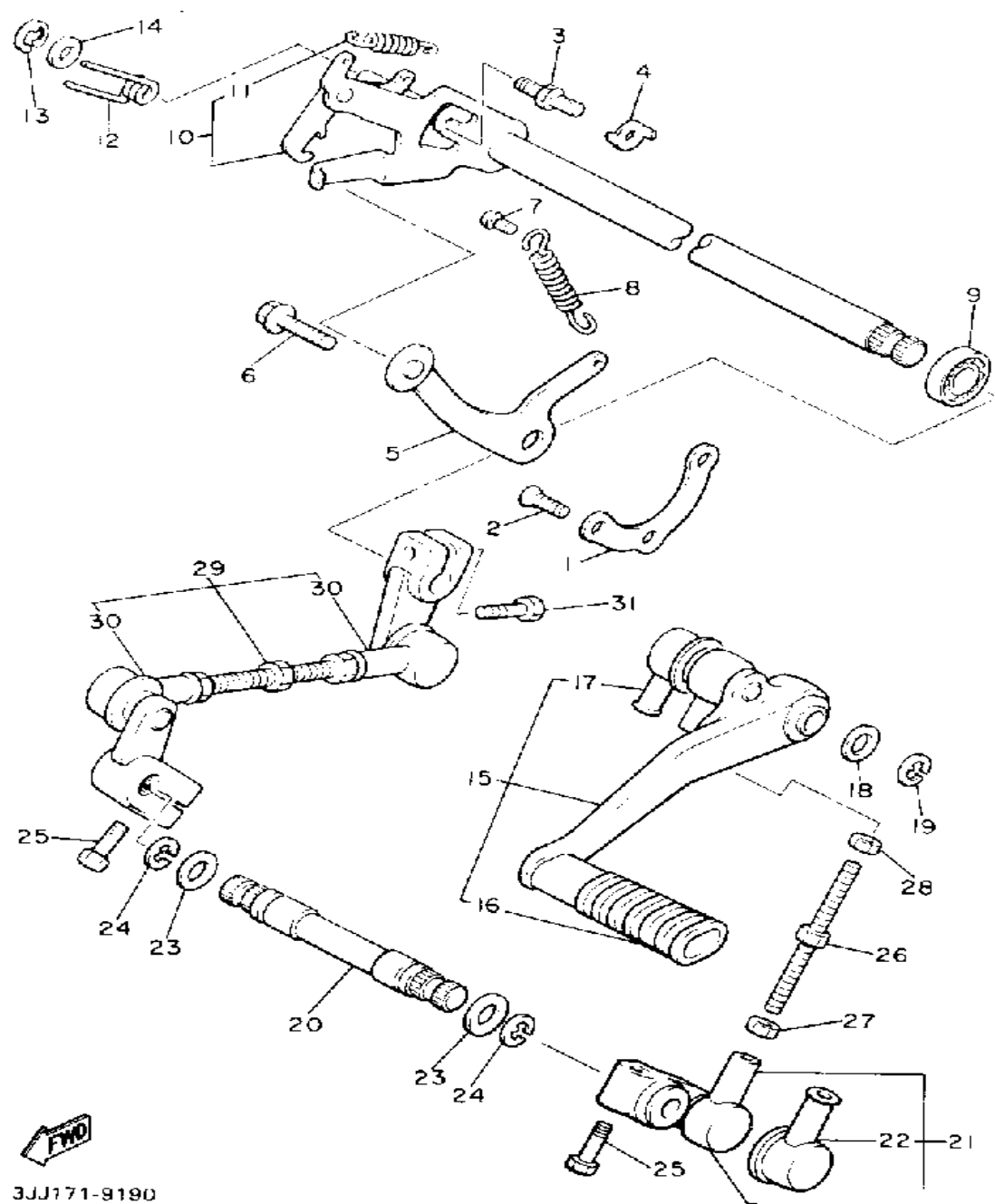
# SHIFT CAM - FORK



Ref. No.	Part Number	Description	Qty	Remarks
1	26H-18540-00-00	SHIFT CAM ASSEMBLY	1	
2	93306-90602-00	. BEARING	1	
3	90560-30234-00	. SPACER	1	
4	93603-10049-00	. PIN, DOWEL	1	
5	26H-18141-01-00	. PLATE, STOPPER	1	
6	26H-18185-00-00	. SEGMENT	1	
7	93604-17198-00	. PIN, DOWEL	5	
8	26H-18561-01-00	. PLATE, SIDE 1	1	
9	90151-06013-00	. SCREW, COUNTERSUNK	1	
10	90501-06022-00	. SPRING, COMPRESSION	1	
11	278-18542-00-00	. POINT, NEUTRAL	1	
12	278-18566-00-00	. PLATE, SIDE 2	1	
13	98701-05016-00	. SCREW, FLAT HEAD	1	
14	93604-21197-00	. PIN, DOWEL	1	
15	26H-18511-01-00	FORK, SHIFT 1	1	
16	26H-18512-00-00	FORK, SHIFT 2	1	
17	26H-18513-00-00	FORK, SHIFT 3	1	
18	26H-18531-00-00	BAR, SHIFT FORK GUIDE 1	2	

26H110-3180

# SHIFT SHAFT

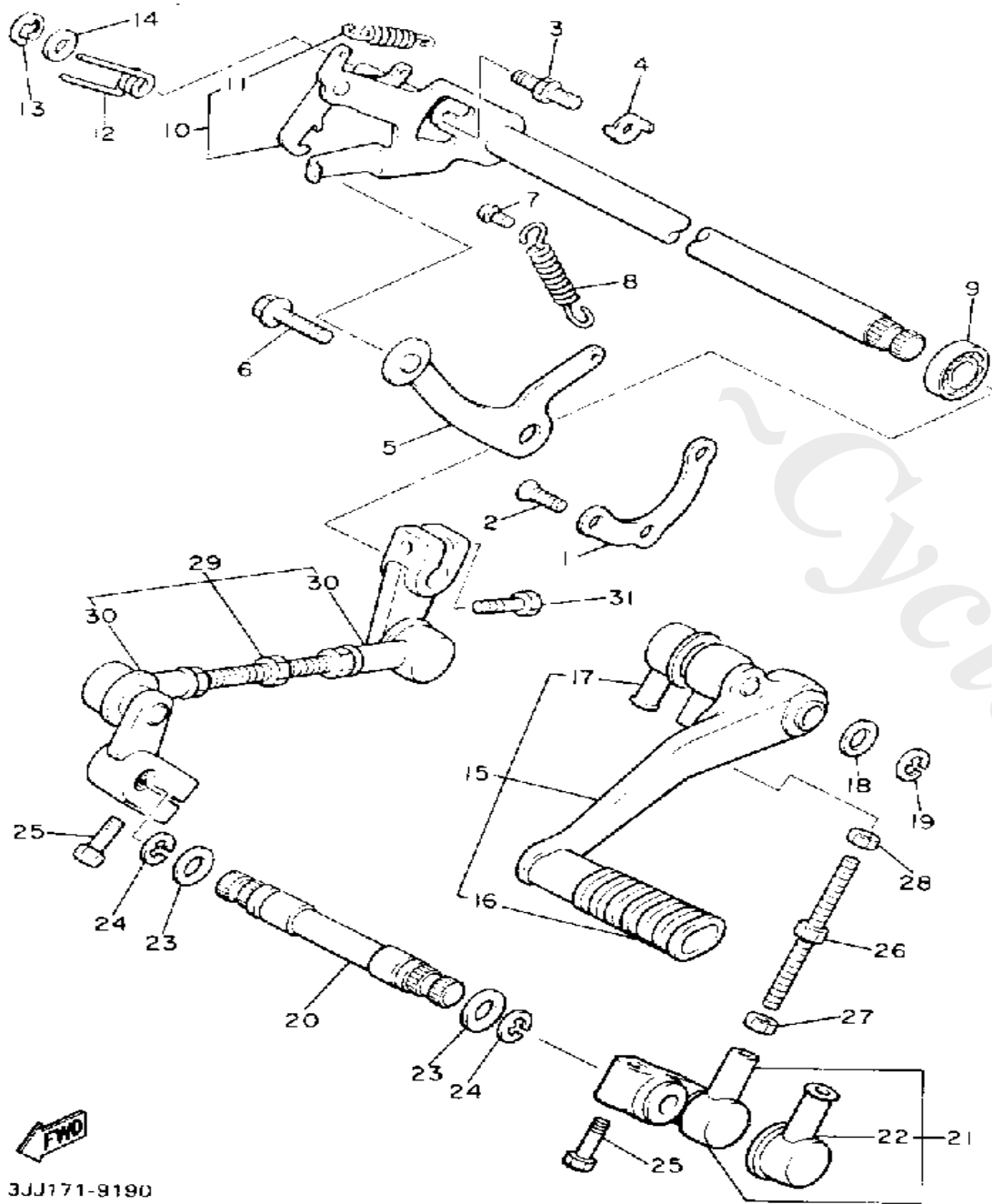


3JJ171-9190

Ref. No.	Part Number	Description	Qty	Remarks
1	26H-18536-00-00	STOPPER, SHIFT BAR .....	1	
2	90151-06041-00	SCREW, COUNTERSUNK .....	3	
3	90109-08441-00	BOLT .....	1	
4	90215-08115-00	WASHER, LOCK .....	1	
5	26H-18140-01-00	STOPPER LEVER ASSEMBLY .	1	
6	90109-063F8-00	BOLT .....	1	
7	132-16346-00-00	HOOK, SPRING .....	1	
8	90506-13312-00	SPRING, TENSION .....	1	
9	93102-12321-00	OIL SEAL, SD-TYPE .....	1	
10	26H-18120-00-00	SHIFT LEVER ASS'Y .....	1	
11	90506-08227-00	. SPRING, TENSION .....	1	
12	90508-32588-00	SPRING, TORSION .....	1	
13	99006-10600-00	CIRCLIP .....	1	
14	90201-127E1-00	WASHER, PLATE .....	1	
15	1NL-18110-00-00	SHIFT PEDAL ASS'Y .....	1	
16	22N-18113-00-00	. COVER, SHIFT PEDAL .....	1	
17	2H9-18154-00-00	. COVER, DUST .....	1	
18	90201-124E4-00	WASHER, PLATE .....	1	
19	99009-12400-00	CIRCLIP .....	1	
20	26H-18197-00-00	SHAFT .....	1	
21	1FK-18152-00-00	LEVER, SHIFT 4 .....	1	
22	2H9-18154-00-00	. COVER, DUST .....	1	
23	90201-124E4-00	WASHER, PLATE .....	2	
24	99006-10600-00	CIRCLIP .....	2	
25	97011-06020-00	BOLT .....	2	
26	26H-18115-00-00	ROD, SHIFT .....	1	
27	95380-06700-00	NUT .....	1	
28	90170-06228-00	NUT (COUNTER CLOCKWISE)	1	
29	26H-18150-00-00	SHIFT LEVER ASS'Y .....	1	
30				
31				

CONTINUED ON NEXT FRAME ➤

# SHIFT SHAFT

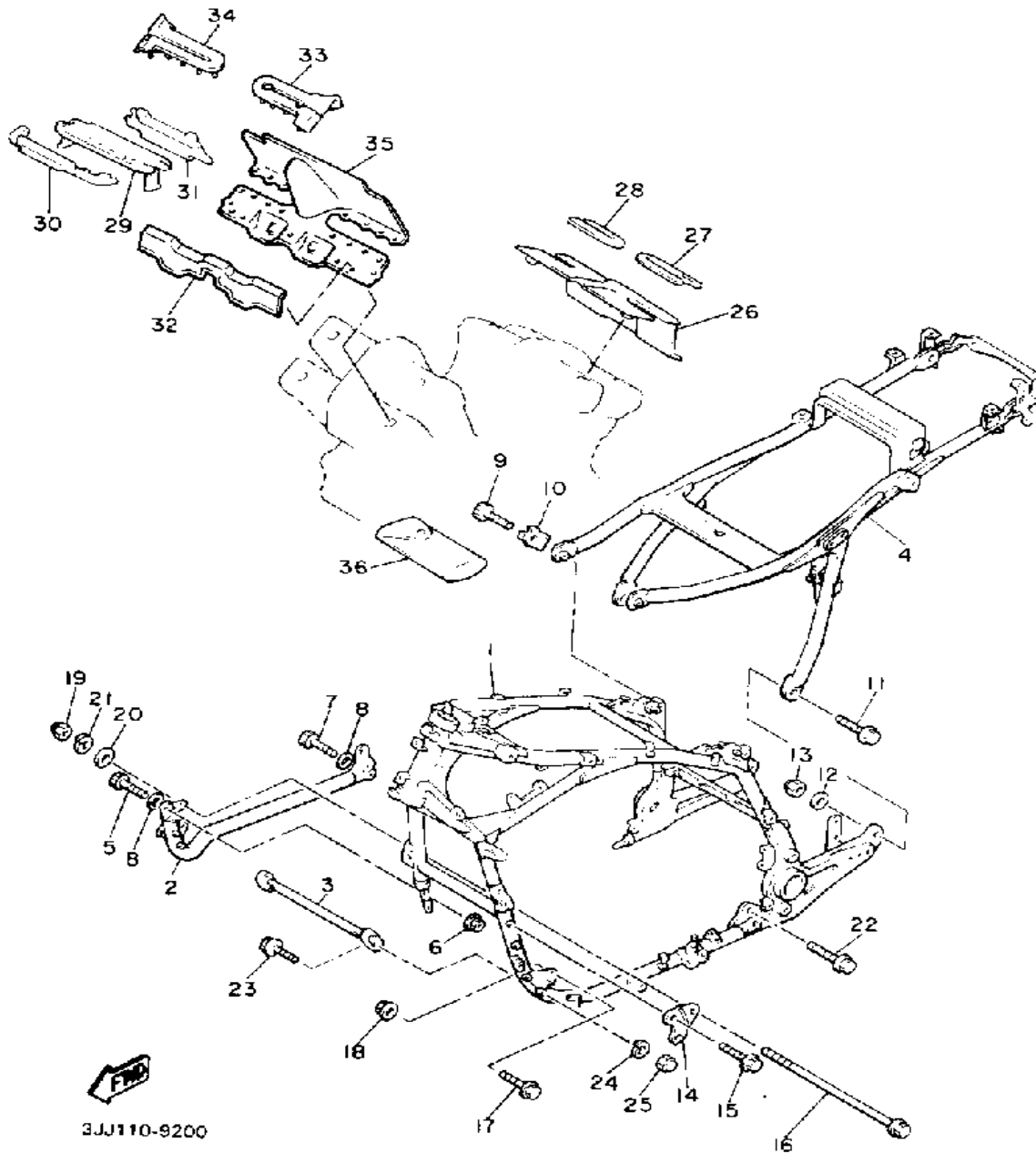


Ref. No.	Part Number	Description	Qty	Remarks
30	2H9-18154-00-00	. COVER, DUST .....	2	
31	97011-06020-00	BOLT .....	1	



3JJ171-9190

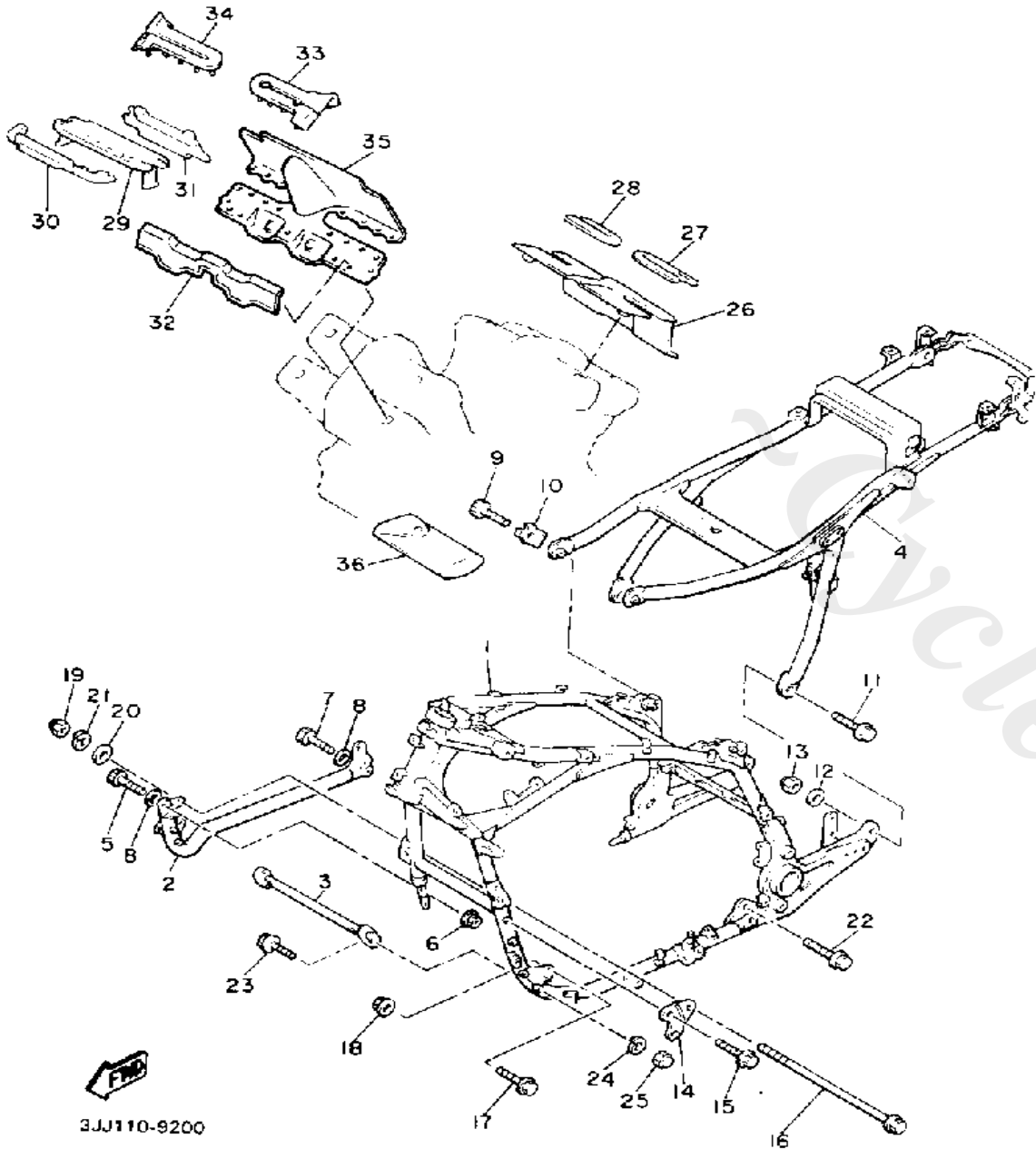
# FRAME



Ref. No.	Part Number	Description	Qty	Remarks
1	2WR-21110-00-33	FRAME COMP .....	1	YAMAHA BLACK
2	2WR-21140-00-33	DOWN TUBE COMP .....	1	YAMAHA BLACK
3	26H-2141V-00-00	CROSS BAR COMPLETE .....	1	
4	1NL-21190-00-33	REAR FRAME COMP .....	1	YAMAHA BLACK
5	90110-10125-00	BOLT, hexagon socket head ..	2	
6	90179-10321-00	NUT .....	2	
7	90110-10126-00	BOLT, HEXAGON SOCKET HEAD .....	2	
8	90201-100F7-00	WASHER, PLATE .....	4	
9	90101-10524-00	BOLT .....	2	
10	90215-10192-00	WASHER, LOCK .....	2	
11	95811-10045-00	BOLT, FLANGE .....	2	
12	90201-10696-00	WASHER, plate .....	2	
13	90176-10045-00	NUT, crown .....	2	
14	(26H-21315-00-00)	STAY, ENGINE 2 .....	1	
15	95811-08016-00	BOLT, FLANGE .....	2	
16	90105-10254-00	BOLT, washer based .....	1	
17	90105-10253-00	BOLT, WASHER BASED .....	2	
18	95701-10500-00	NUT, FLANGE (95702-10500) ..	2	
19	95303-10800-00	NUT (CROWN) (92803-10700) .	1	
20	92990-10200-00	WASHER, PLAIN .....	1	
21	92901-10100-00	WASHER, SPRING .....	1	
22	90105-12252-00	BOLT, WASHER BASED .....	2	
23	95816-08060-00	BOLT, FLANGE .....	4	
24	92906-08100-00	WASHER, SPRING .....	4	
25	90176-08034-00	NUT, crown .....	4	
26	26H-2117M-00-00	COVER 2 .....	1	
27	26H-2117N-00-00	COVER 3 .....	1	
28	26H-2117R-00-00	COVER 4 .....	1	

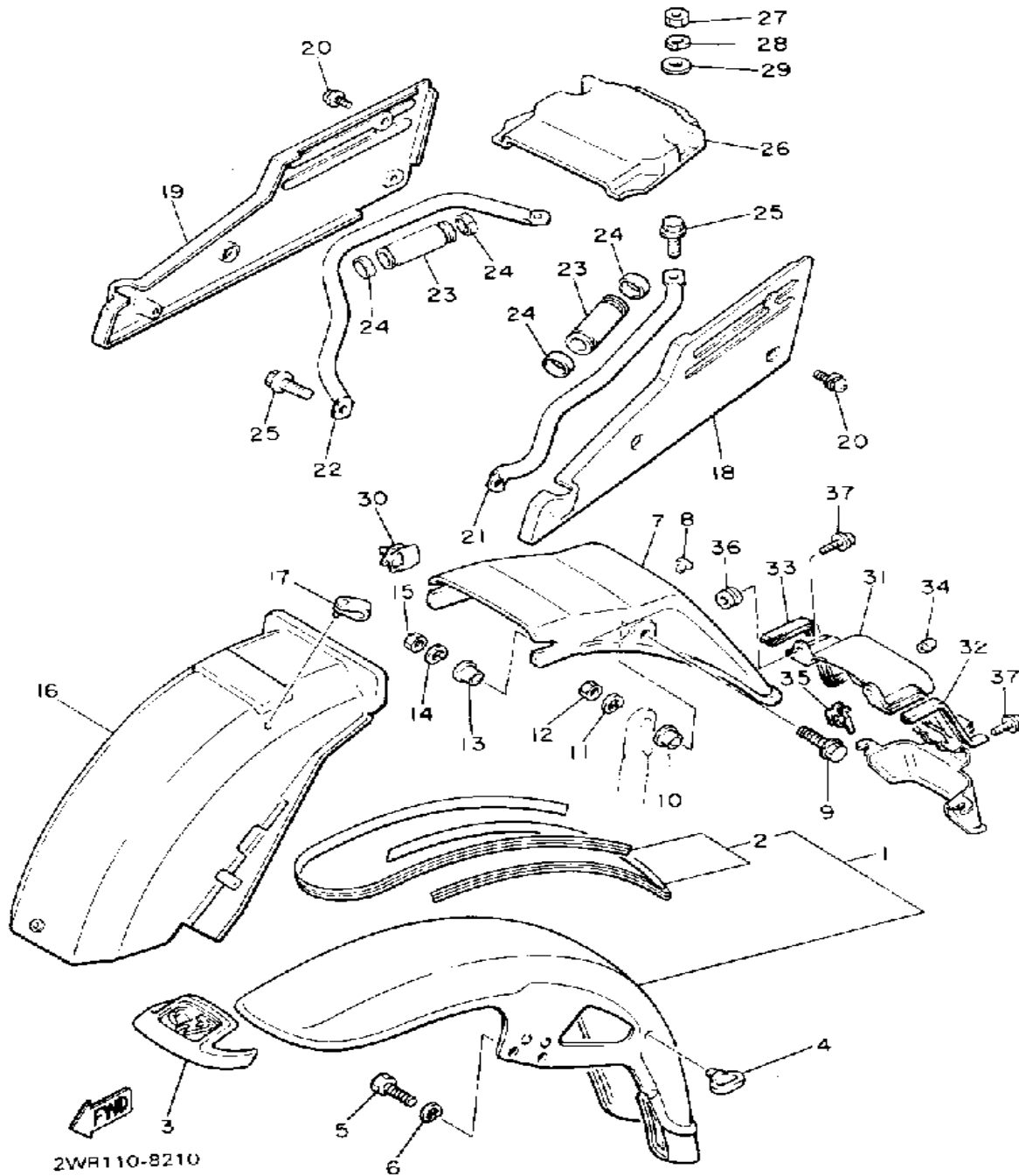
CONTINUED ON NEXT FRAME ►

# FRAME



Ref. No.	Part Number	Description	Qty	Remarks
29	26H-2117V-00-00	COVER 7 .....	1	
30	26H-2117T-00-00	COVER 5 .....	1	
31	26H-2117U-00-00	COVER 6 .....	1	
32	26H-2117W-00-00	COVER 8 .....	1	
33	26H-2117X-00-00	COVER 9 .....	1	
34	26H-2117Y-00-00	COVER 0 .....	1	
35	26H-2117F-00-00	COVER .....	1	
36	3JJ-28100-00-00	TOOL KIT .....	1	

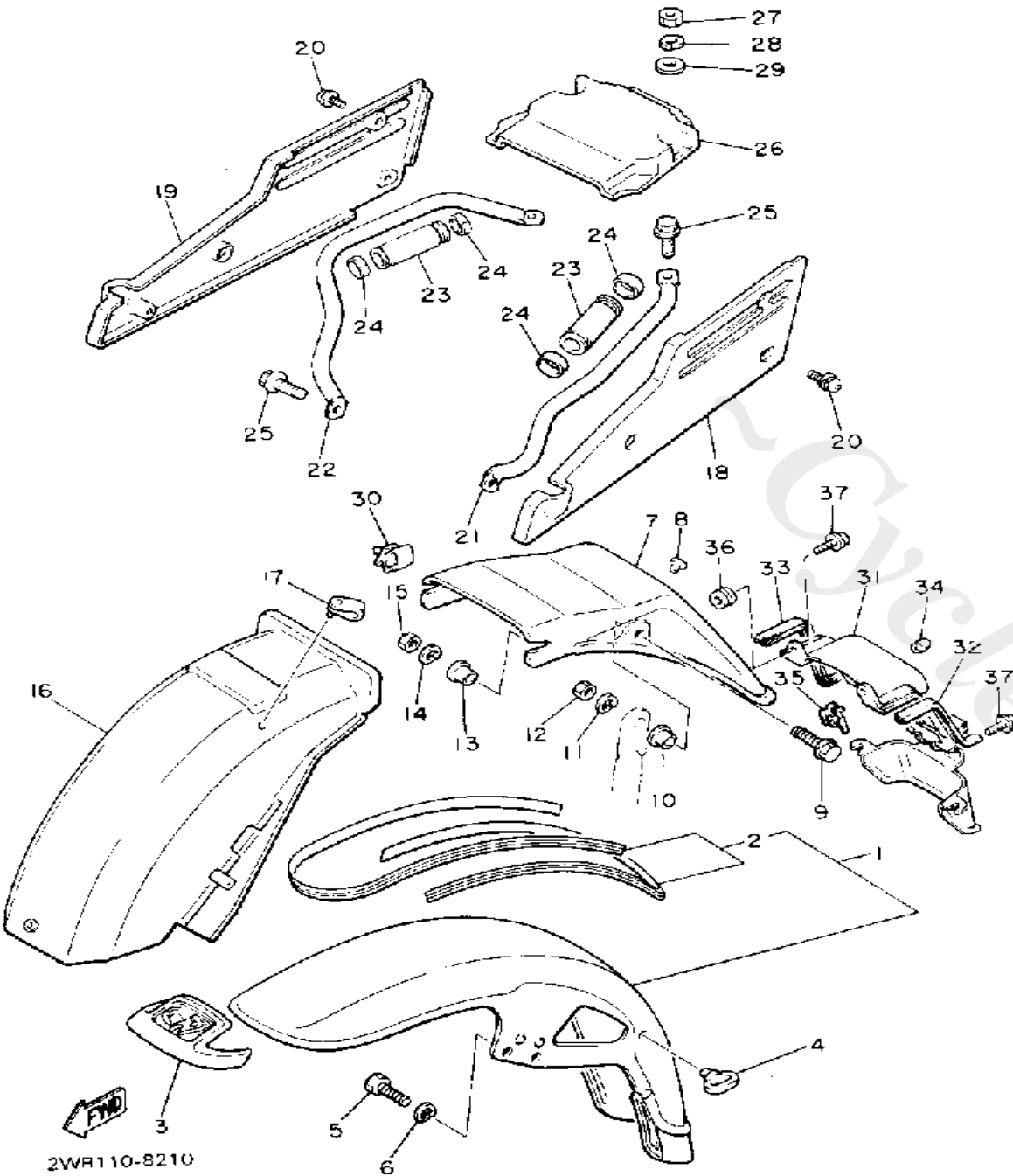
# FENDER



Ref. No.	Part Number	Description	Qty	Remarks
1	2WR-W2151-00-2Y	FRONT FENDERCOMP	1	UR DULL BLUE COCKTAIL 1
	3JJ-W2151-00-3Y	FRONT FENDER COMP	1	UR GRACEFUL MAROON
2	(2WR-21570-20-00)	GRPHC SET, FRT FNDR	1	UR FOR DBC1
	3JJ-21570-10-00	. GRAPHIC SET, front fender ..	1	UR FOR GRM
3	3JJ-21577-00-00	MASCOT	1	
4	1A8-21518-00-00	HOLDER, CABLE	1	
5	97001-08020-00	BOLT	4	
6	92990-08100-00	WASHER	4	
7	1NL-21611-00-00	FENDER, rear	1	
8	90338-07180-00	. PLUG	2	
9	95821-08020-00	BOLT, FLANGE (95801-08020)	2	
10	90387-08564-00	COLLAR	2	
11	92990-08100-00	WASHER	2	
12	95333-08600-00	NUT	2	
13	90387-07717-00	COLLAR	2	
14	92995-06100-00	WASHER, SPRING	2	
15	95380-06600-00	NUT	2	
16	26H-21629-00-00	GUARD, mud	1	
17	90464-12027-00	CLAMP	1	
18	1NL-2163A-00-00	COVER, rear fender 1	1	
19	1NL-2163E-00-00	COVER, rear fender 2	1	
20	90159-05134-00	SCREW, w/washer	6	
21	1NL-21644-01-00	STAY, rear	1	
22	1NL-21645-01-00	STAY, rear	1	
23	1NL-2164A-00-00	GRIP 1	2	
24	1NL-21646-00-00	BAND	4	
25	95811-08016-00	BOLT, FLANGE	4	

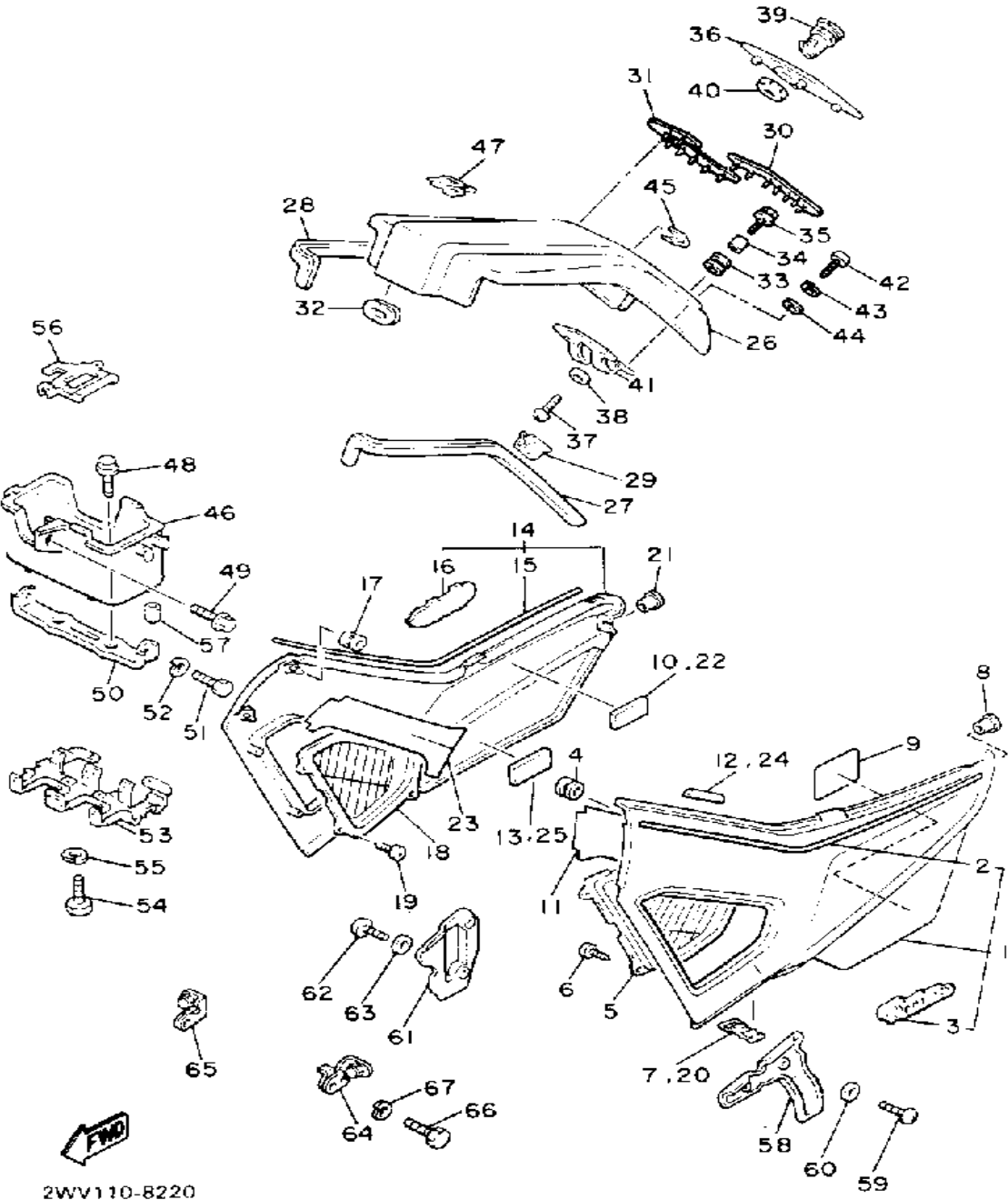
CONTINUED ON NEXT FRAME ►

# FENDER



Ref. No.	Part Number	Description	Qty	Remarks
26	26H-2163F-01-00	COVER, rear fender 3	1	
27	95303-06800-00	NUT (CROWN)	2	
28	92995-06100-00	WASHER, SPRING	2	
29	90201-065K5-00	WASHER, PLATE	2	
30	90464-16025-00	CLAMP	1	
31	1NL-21621-01-00	FLAP	1	
32	1NL-21694-00-00	MOULDING	1	
33	1NL-21695-00-00	MOULDING	1	
34	4G0-21639-00-00	DAMPER 2	1	
35	1NL-21635-00-00	NUT, rear fender	2	
36	90480-12053-00	GROMMET	2	
37	90159-06093-00	SCREW, WITH WASHER	3	

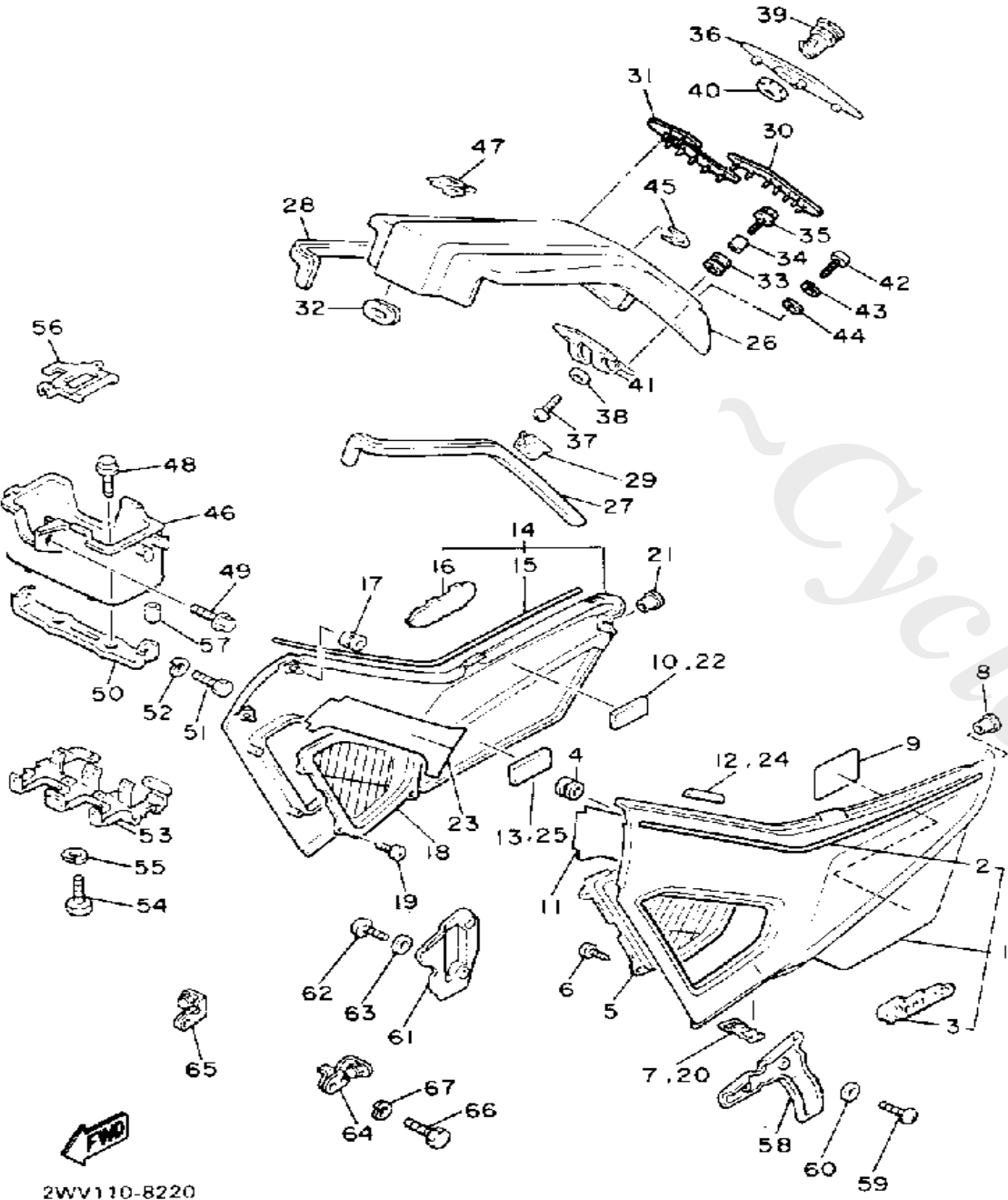
# SIDE COVER



Ref. No.	Part Number	Description	Qty	Remarks
1	2WR-Y2171-21-0Y	COVER SIDE 1 .....	1	UR DULL BLUE COCKTAIL 1
	41R-Y2171-01-1Y	COVER, side 1 .....	1	UR GRACEFULL MAROON
2	2WR-2173E-20-00	. GRAPHIC .....	1	
	3JJ-2173E-10-00	. GRAPHIC 1 .....	1	UR FOR GRM
3	26H-21783-00-00	. EMBLEM 4 (26H-21784-00) ..	1	
4	90480-13398-00	GROMMET .....	2	
5	54K-2171Y-02-00	GRILL, side cover 1 .....	1	
6	90164-04006-00	SCREW, TAPPING .....	5	
7	41R-2179E-00-00	BAND .....	1	
8	90480-12355-00	GROMMET .....	1	
9	3JJ-2179R-00-00	PLATE, EPA CAL 2 .....	1	UR CALIF. ONLY
	3JJ-2179V-10-00	PLATE, EPA U 9 .....	1	UR NON-CALIF.
10	41R-21717-00-00	DAMPER .....	1	
11	26H-2171J-00-00	LINING, side cover 1 .....	1	
12	26H-2171N-00-00	MOLE, side cover 3 .....	1	
13	41R-21717-00-00	DAMPER .....	1	
14	2WR-Y2172-21-0Y	COVER, SIDE 2 .....	1	UR DULL BLUE COCKTAIL 1
	41R-Y2172-01-1Y	COVER, side 2 .....	1	UR GRACEFUL MAROON
15	2WR-2173F-20-00	. GRAPHIC 2 .....	1	UR FOR DBC1
	3JJ-2173F-10-00	. GRAPHIC 2 .....	1	UR FOR GRM
16	26H-21783-00-00	. EMBLEM 4 (26H-21784-00) ..	1	
17	90480-13398-00	GROMMET .....	2	
18	54K-2172Y-02-00	GRILL, side cover 2 .....	1	
19	90164-04006-00	SCREW, TAPPING .....	5	
20	41R-2179E-00-00	BAND .....	1	
21	90480-12355-00	GROMMET .....	1	

CONTINUED ON NEXT FRAME ►

# SIDE COVER

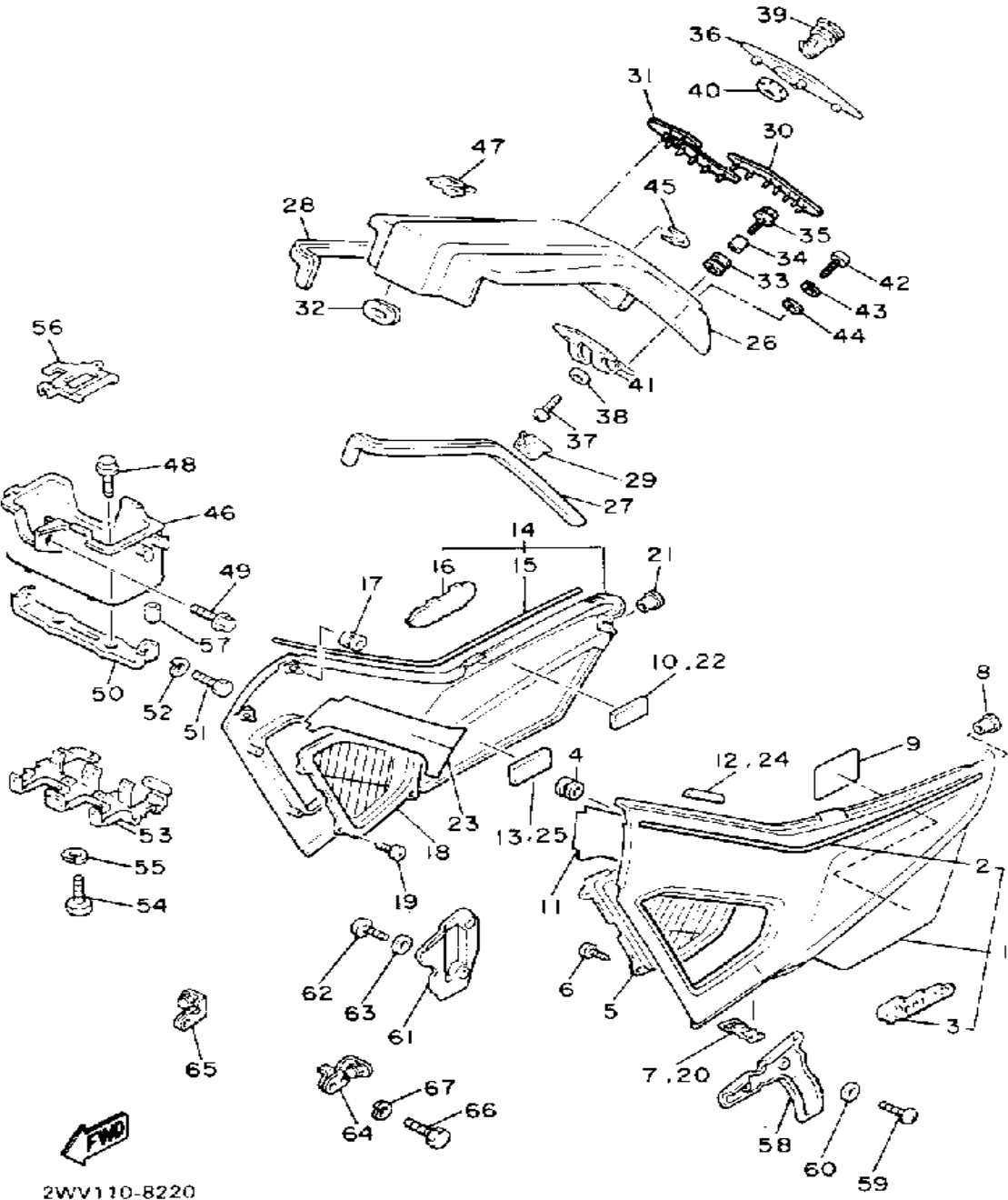


Ref. No.	Part Number	Description	Qty	Remarks
22	41R-21717-00-00	DAMPER	1	
23	26H-2171K-00-00	LINING, side cover 2	1	
24	26H-2171N-00-00	MOLE, side cover 3	1	
25	41R-21717-00-00	DAMPER	1	
26	1NL-2171A-00-8B	COVER, TOP	1	UR DULL BLUE COCKTAIL 1
	1NL-2171A-00-TJ	COVER, top	1	UR VELVET MAROON
27	26H-2171L-00-00	MOLE, side cover 1	1	
28	26H-2171M-00-00	MOLE, side cover 2	1	
29	90468-03135-00	CLIP	12	
30	26H-2177M-00-00	DAMPER, locating 3	1	
31	26H-2177N-00-00	DAMPER, locating 4	1	
32	26H-21747-00-00	DAMPER	1	
33	90480-12067-00	GROMMET	1	
34	90387-053H3-00	COLLAR	1	
35	90119-05001-00	BOLT, WITH WASHER	1	
36	26H-2177E-00-8B	LID	1	UR DULL BLUE COCKTAIL 1
	26H-2177E-00-TJ	LID	1	UR VELVET MAROON
37	97701-50510-00	SCREW, tapping	2	
38	92990-05200-00	WASHER, PLAIN	2	
39	54K-21780-01-00	SIDE CVR LOCK ASSEMBLY	1	
40	90170-22187-00	NUT	1	
41	26H-21796-01-00	HINGE	1	
42	98516-05012-00	SCREW, PAN HEAD 4CG	2	
43	92906-05100-00	WASHER, SPRING	2	
44	92906-05200-00	WASHER, PLAIN	2	
45	26H-2177R-00-00	SPRING, plate	1	
46	(26H-2177G-00-00)	BOX, BATTERY	1	

2WV110-8220

CONTINUED ON NEXT FRAME ►

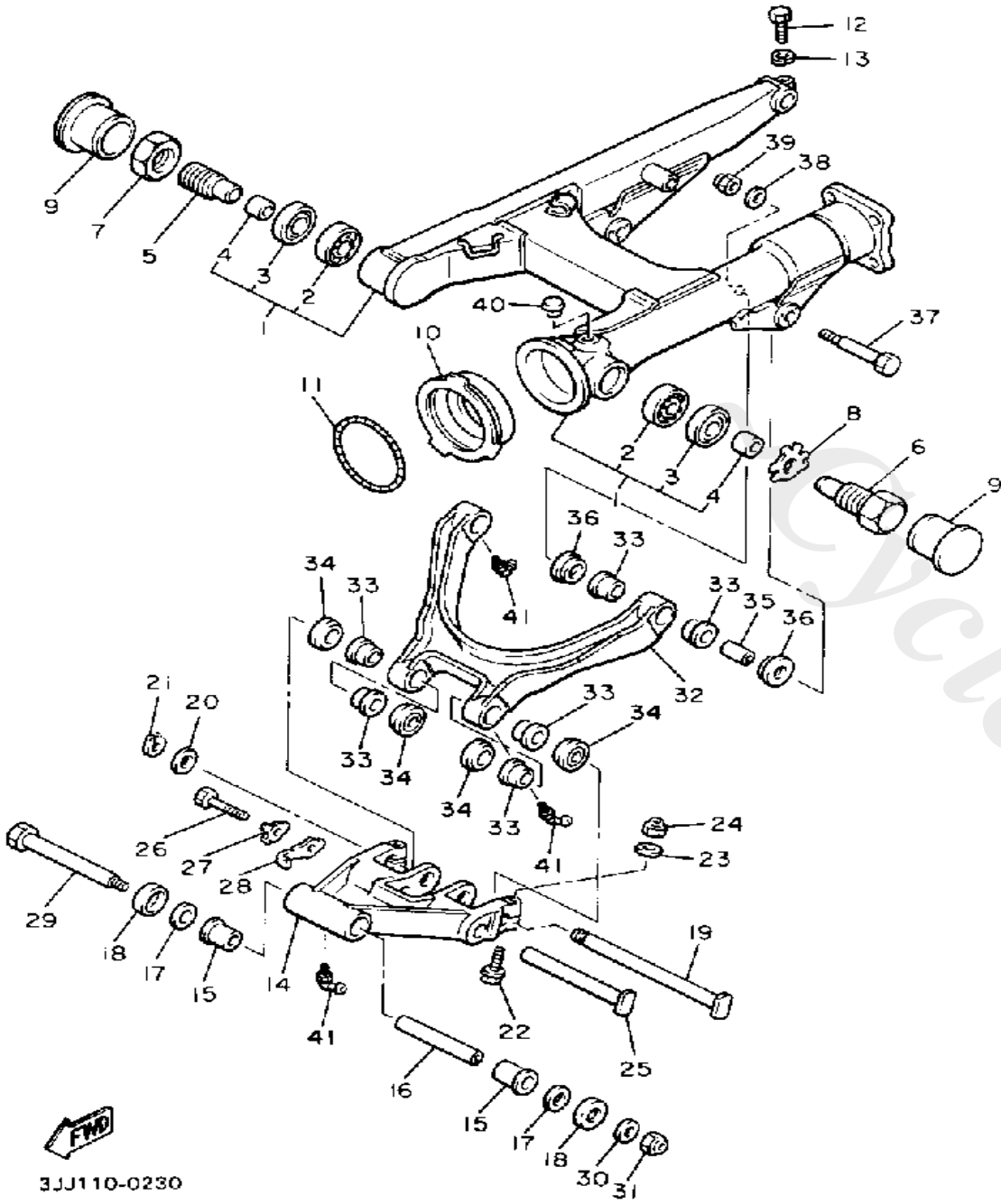
# SIDE COVER



Ref. No.	Part Number	Description	Qty	Remarks
47	31M-21782-01-00	EMBLEM 2	1	
48	90119-06056-00	BOLT, WITH WASHER	2	
49	90119-06060-00	BOLT, WITH WASHER	1	
50	26H-2172M-01-00	BRACKET 3	1	
51	97011-08016-00	BOLT	2	
52	92990-08100-00	WASHER	2	
53	26H-21243-01-00	PLATE, bridge	1	
54	97011-06016-00	BOLT	4	
55	92995-06100-00	WASHER, SPRING	4	
56	26H-2176E-00-00	PLATE	1	
57	16G-13569-00-00	PLUG, BLIND	1	
58	41R-21731-00-00	COVER, side 3	1	
59	98516-05012-00	SCREW, PAN HEAD 4CG	2	
60	92906-05600-00	WASHER, PLATE	2	
61	41R-21741-00-00	COVER, side 4	1	
62	98516-05012-00	SCREW, PAN HEAD 4CG	2	
63	92906-05600-00	WASHER, PLATE	2	
64	26H-2134K-00-00	BRACKET, horn	1	
65	26H-2134L-00-00	BRACKET, horn 2	1	
66	97016-08016-00	BOLT	2	
67	92906-08100-00	WASHER, SPRING	2	

2WV110-8220

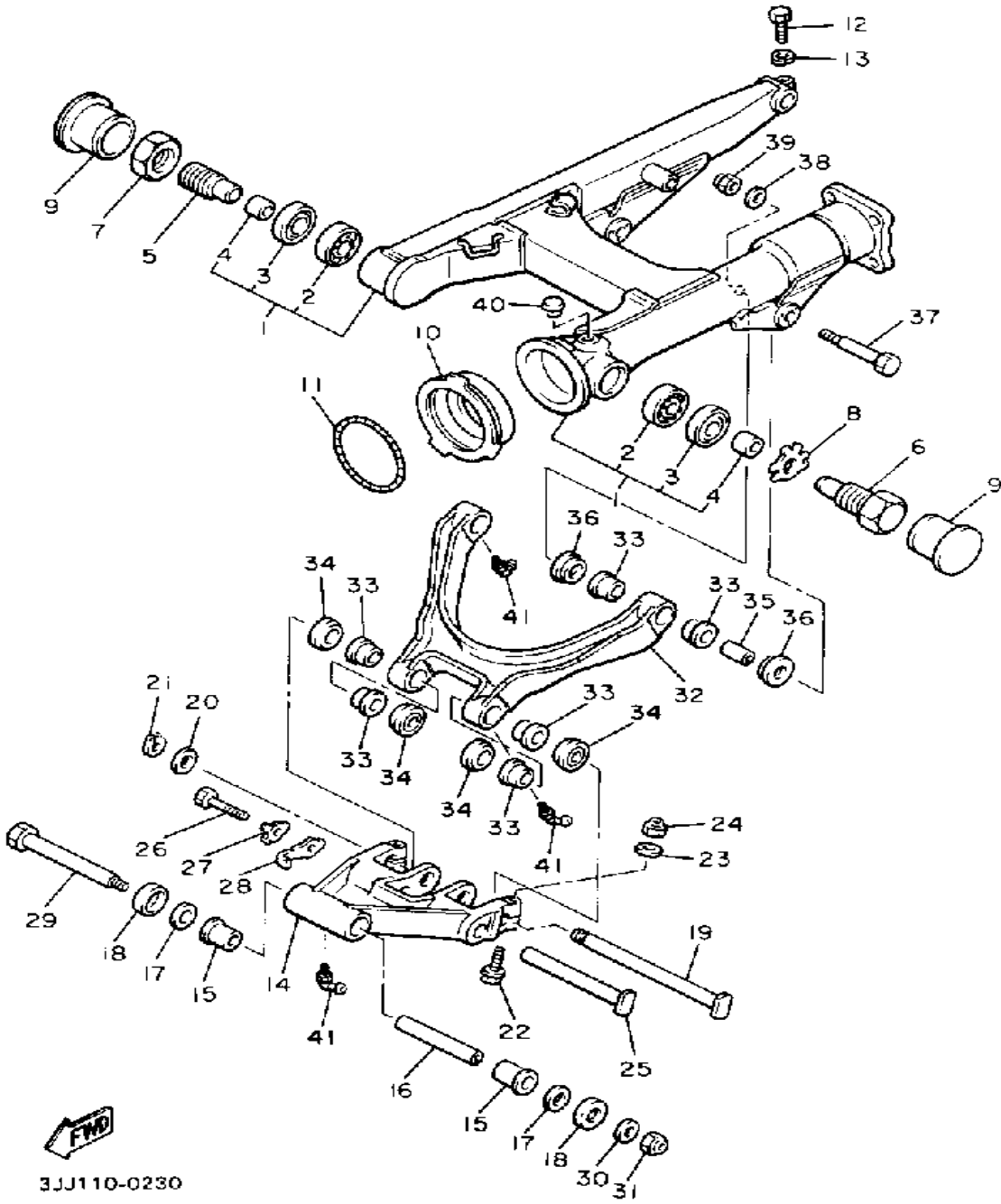
# SWING ARM



Ref. No.	Part Number	Description	Qty	Remarks
1	2WR-W2211-00-35	REAR ARM COMP .....	1	SILVER
2	93332-00050-00	. BEARING (HR30204J) .....	2	UR
	93332-00051-00	. BEARING (HI-CAP3 0204JR) .	2	UR
3	93102-28022-00	. OIL SEAL .....	2	
4	90387-204H5-00	. COLLAR .....	2	
5	26H-2214H-00-00	SHAFT, pivot 2 .....	1	
6	26H-22141-00-00	SHAFT, pivot .....	1	
7	26H-22143-00-00	NUT .....	1	
8	90215-25216-00	WASHER, lock .....	1	
9	26H-21279-00-00	PLUG, blind .....	2	
10	26H-22189-00-00	BOOT, RUBBER .....	1	
11	90506-07136-00	SPRING, TENSION .....	1	
12	97021-08035-00	BOLT .....	1	
13	92990-08100-00	WASHER .....	1	
14	3JJ-2217A-00-00	ARM, relay .....	1	
15	90381-20069-00	BUSH, solid .....	2	
16	90387-144H4-00	COLLAR .....	1	
17	90202-20144-00	WASHER, plate .....	2	
18	26H-22128-00-00	COVER, thrust 1 .....	2	
19	2WR-22121-00-00	SHAFT 1 .....	1	
20	90201-187H4-00	WASHER, plate .....	1	
21	99009-18400-00	CIRCLIP .....	1	
22	95811-06045-00	BOLT, flange (95812-06045-00)	2	
23	92901-06600-00	WASHER .....	2	
24	95611-06100-00	NUT, u .....	2	
25	2WR-22122-00-00	SHAFT 2 .....	1	
26	97021-10050-00	BOLT .....	1	
27	90215-10274-00	WASHER, lock .....	1	
28	90465-16320-00	CLAMP .....	1	

CONTINUED ON NEXT FRAME ➤

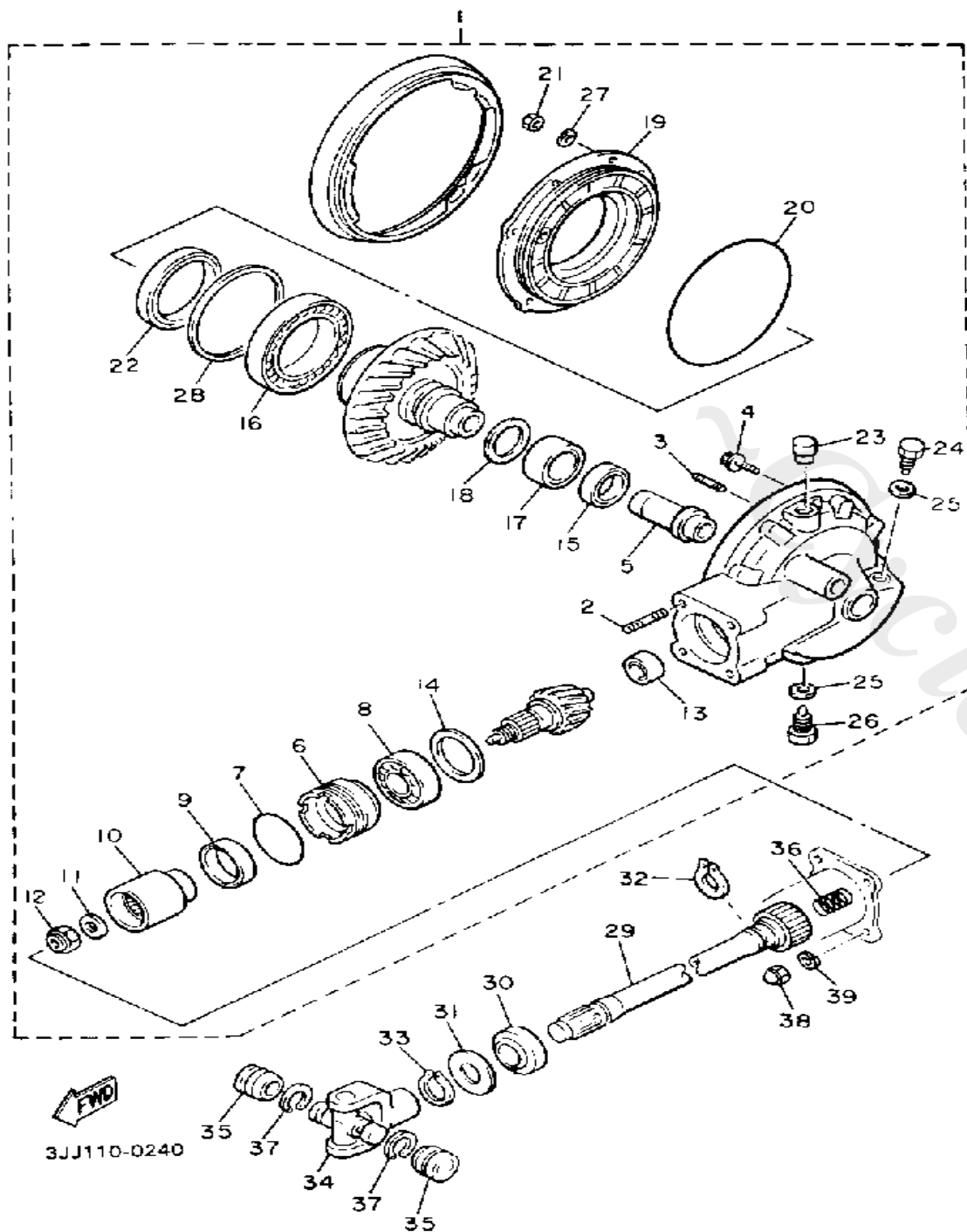
# SWING ARM



Ref. No.	Part Number	Description	Qty	Remarks
29	90101-12578-00	BOLT	1	
30	90201-120E6-00	WASHER, PLATE	1	
31	90185-12119-00	NUT, SELF-LOCKING	1	
32	3JJ-2217M-00-00	ARM 1	1	
33	90381-18068-00	BUSH, solid	8	
34	26H-2217H-00-00	COVER, dust	4	
35	90387-124H1-00	COLLAR	2	
36	26H-22129-00-00	COVER, thrust 2	4	
37	90109-10720-00	BOLT	2	
38	90201-102A2-00	WASHER, PLATE	2	
39	90185-10037-00	NUT, SELF-LOCKING	2	
40	90338-20113-00	PLUG	1	
41	93700-06005-00	NIPPLE, GREASE	5	

3JJ110-0230

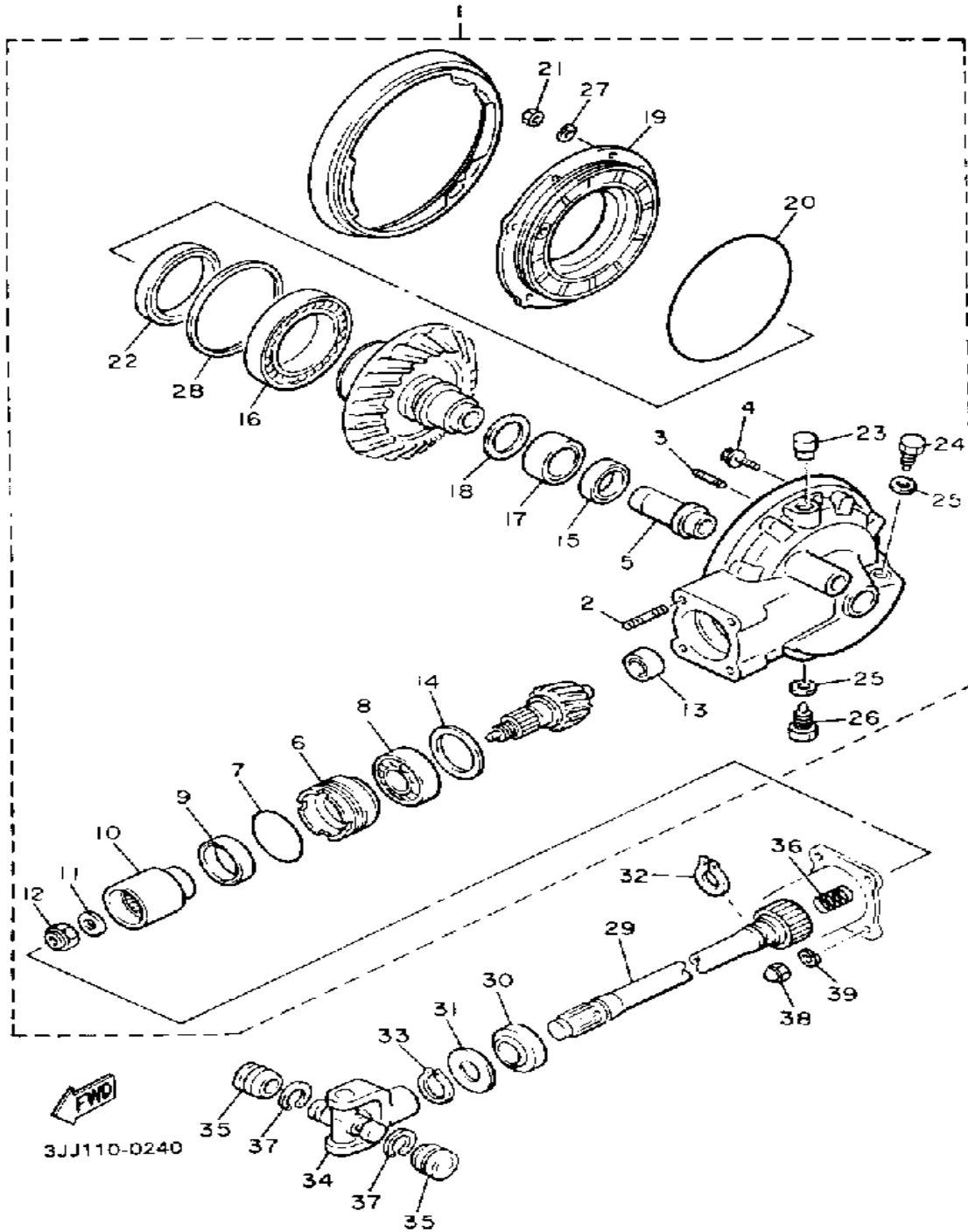
# DRIVE SHAFT



Ref. No.	Part Number	Description	Qty	Remarks
1	1NL-46101-00-00	REAR AXLE GEAR CASE ASS'Y	1	
2	90116-10428-00	. BOLT, STUD	4	
3	90116-08427-00	. BOLT, STUD	6	
4	95811-10050-00	. BOLT, FLANGE (95812-10050-00)	2	
5	1FK-46153-00-00	. COLLAR, GUIDE	1	
6	4H7-46125-00-00	. RETAINER, BEARING	1	
7	93210-60426-00	. O-RING	1	
8	93306-30533-00	. BEARING (B6305RB1 SPECIAL)	1	
9	93101-38098-00	. OIL SEAL	1	
10	4H7-46123-00-00	. COUPLING, GEAR	1	
11	90201-143K7-00	. WASHER, PLATE	1	
12	90179-14508-00	. NUT	1	
13	2H7-46102-00-00	. BEARING ASSEMBLY	1	
14	1J7-17537-Y0-30	. SHIM, THRUST (0.30T)	1	UR
	1J7-17537-Y0-40	. SHIM, THRUST (0.40T)	1	UR
	1J7-17537-Y0-50	. SHIM, THRUST (0.50T)	1	UR
15	93101-30084-00	. OIL SEAL	1	
16	93316-01403-00	. BEARING	1	
17	93311-43729-00	. BEARING	1	
18	22U-46118-00-12	. SHIM, THRUST (1.2T)	1	UR
	22U-46118-00-14	. SHIM, THRUST (1.4T)	1	UR
	22U-46118-00-16	. SHIM, THRUST (1.6T)	1	UR
	22U-46118-00-18	. SHIM, THRUST (1.8T)	1	UR
	22U-46118-00-20	. SHIM, THRUST (2.0T)	1	UR
19	1FK-46152-01-00	. HOUSING, BEARING	1	
20	93211-54698-00	. O-RING	1	
21	95333-08600-00	. NUT	6	

CONTINUED ON NEXT FRAME ►

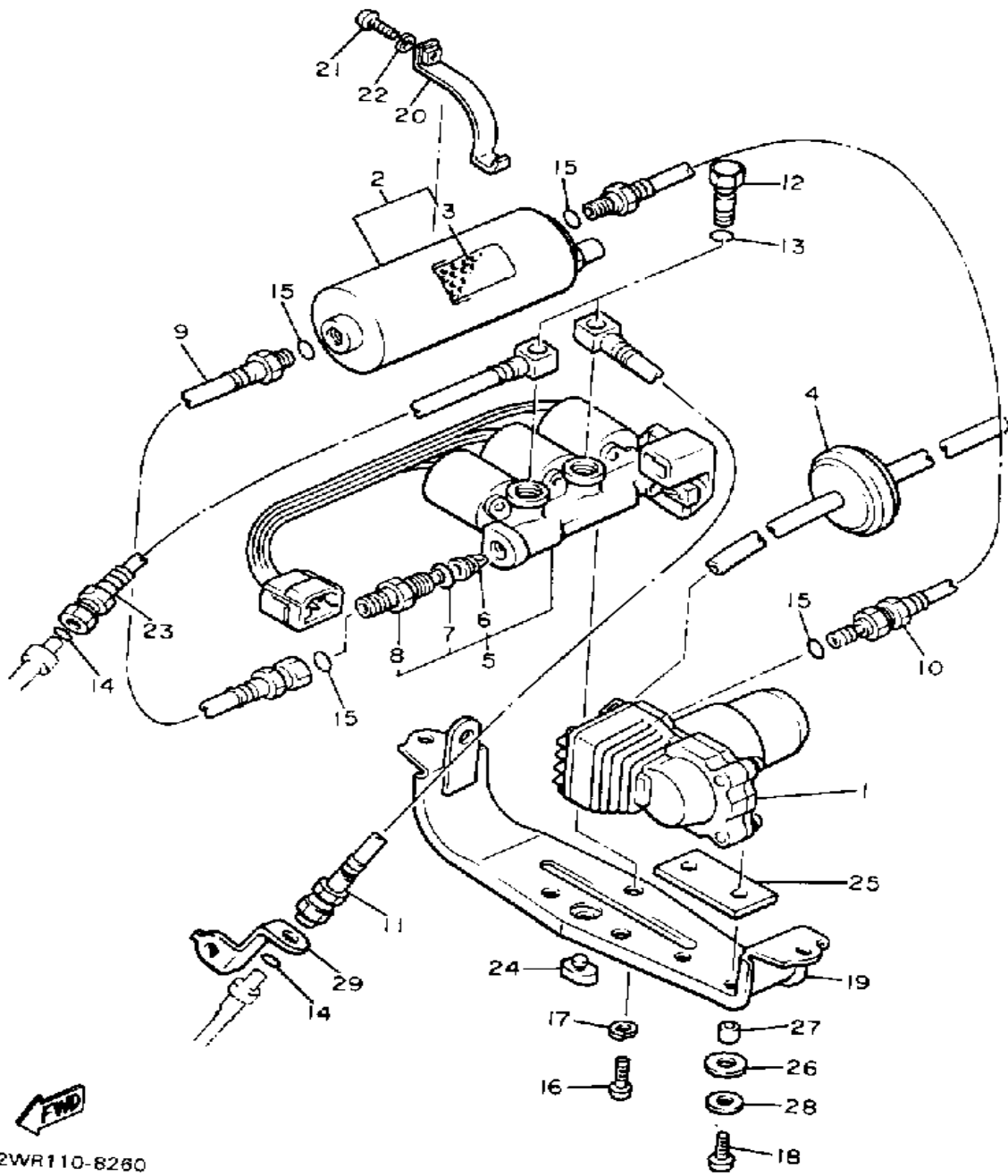
# DRIVE SHAFT



Ref. No.	Part Number	Description	Qty	Remarks
22	93102-70167-00	. OIL SEAL .....	1	
23	2H7-17590-00-00	. BREATHER COMP. ....	1	
24	3VD-13455-00-00	. PLUG .....	1	
25	214-11198-01-00	. GASKET .....	2	
26	90340-14118-00	. PLUG, STRAIGHT .....	1	
27	92901-08700-00	. WASHER, WAVE .....	1	
28	1J7-46117-Y0-25	. SHIM, RING GEAR (0.25T) ...	1	UR
	1J7-46117-Y0-30	. SHIM, RING GEAR (0.30T) ...	1	UR
	1J7-46117-Y0-35	. SHIM, RING GEAR .....	1	UR
	1J7-46117-Y0-40	. SHIM, RING GEAR (0.40T) ...	1	UR
	1J7-46117-Y0-50	. SHIM, RING GEAR (0.50T) ...	1	UR
29	1NL-46172-00-00	SHAFT, drive .....	1	
30	93108-23007-00	OIL SEAL .....	1	
31	90201-231A2-00	WASHER, PLATE .....	1	
32	93410-23056-00	CIRCLIP .....	1	
33	93410-22039-00	CIRCLIP .....	1	
34	4X7-46180-00-00	CROSS JOINT COMP. ....	1	
35	93399-99926-00	BEARING .....	2	
36	90501-16491-00	SPRING, COMPRESSION .....	1	
37	93440-20088-00	CIRCLIP .....	2	
38	90176-10049-00	NUT, CROWN .....	4	
39	92990-10100-00	WASHER, SPRING .....	4	



# LEVELING UNIT



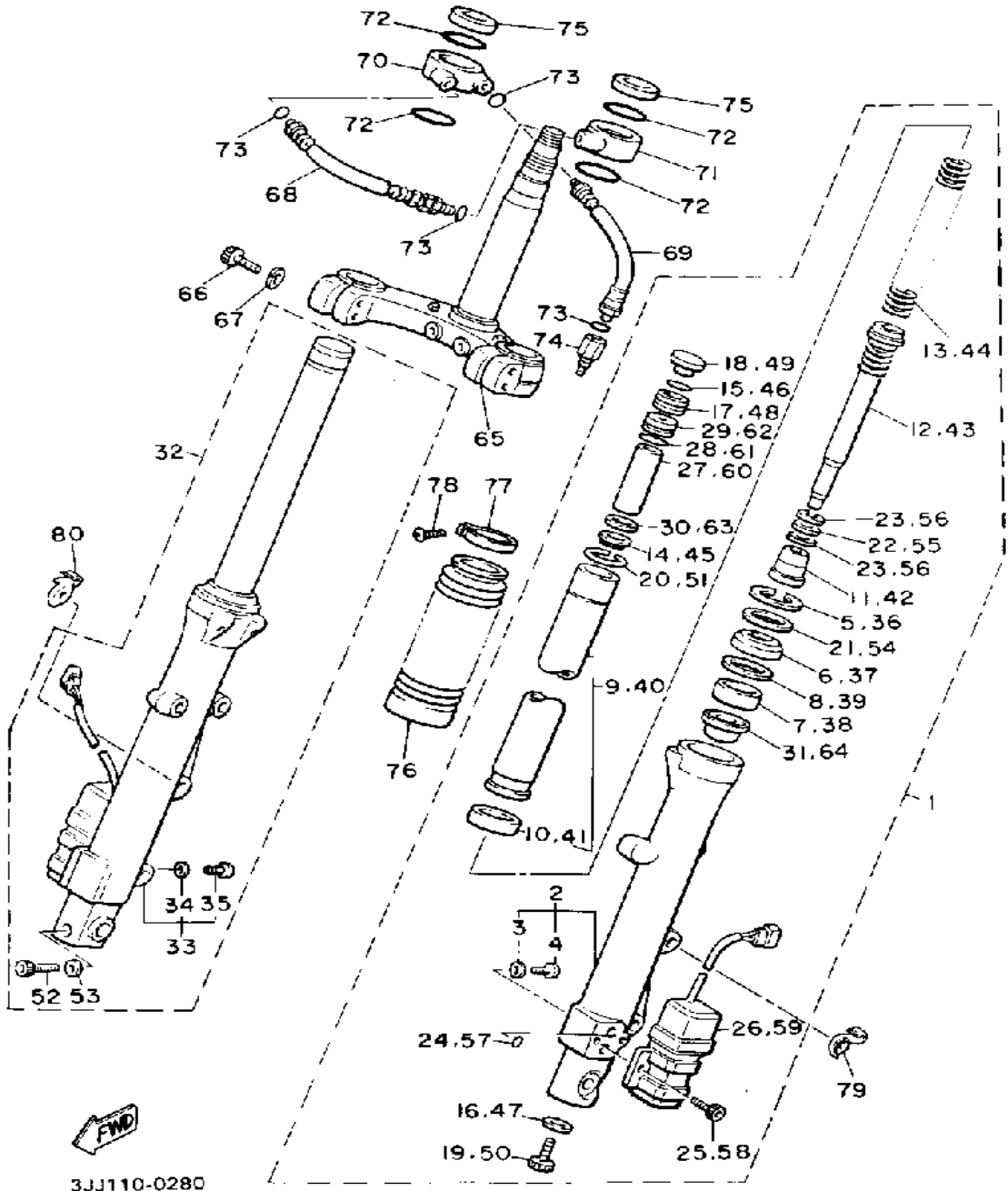
Ref. No.	Part Number	Description	Qty	Remarks
1	31M-22910-00-00	AIR COMPRESSOR ASS'Y	1	
2	31M-22940-00-00	DRYER AAS'Y	1	
3	31M-22945-00-00	. DESICCANT	1	
4	31M-22950-00-00	SUCTION FILTER ASS'Y	1	
5	31M-22960-00-00	VALVE ASS'Y	1	
6	31M-13512-00-00	. VALVE, reed	1	
7	93210-06632-00	. O-RING	1	
8	31M-22962-00-00	. ADAPTER	1	
9	31M-22906-00-00	HOSE ASS'Y 1	1	
10	31M-22907-00-00	HOSE ASS'Y 2	1	
11	31M-22908-00-00	HOSE ASS'Y 3	1	
12	31M-22955-00-00	BOLT, union	2	
13	93210-10166-00	O-RING	2	
14	93210-05098-00	O-RING	2	
15	93210-06632-00	O-RING	4	
16	98580-06010-00	SCREW, PAN HEAD (92503-06010)	2	
17	92995-06100-00	WASHER, SPRING	2	
18	98580-05016-00	SCREW, PAN HEAD	2	
19	31M-21688-00-00	BRACKET, read stay	1	
20	31M-21647-00-00	BAND	1	
21	98580-05010-00	SCREW, PAN HEAD	1	
22	92990-05100-00	WASHER, SPRING	1	
23	31M-22909-00-00	HOSE ASS'Y 4	1	
24	(31M-22958-00-00)	HOSE ASSEMBLY 4	2	
25	(31M-22928-00-00)	DAMPER	1	
26	(90201-083H9-00)	WASHER, PLATE	2	
27	90387-05682-00	COLLAR	2	
28	90201-05032-00	WASHER, PLATE	2	

CONTINUED ON NEXT FRAME ►

2WR110-8280



# FRONT FORK



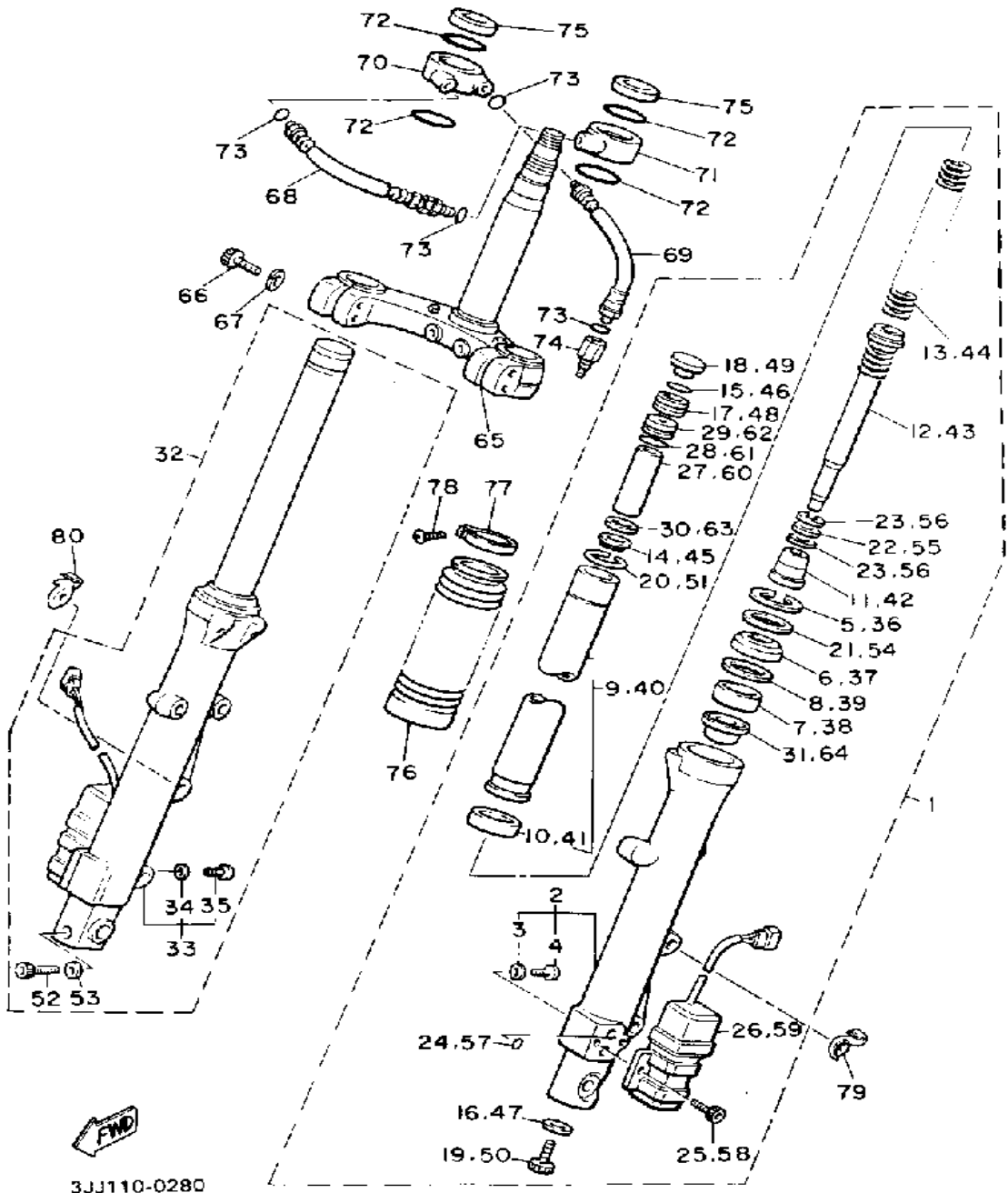
3JJ110-0280

Ref. No.	Part Number	Description	Qty	Remarks
1	3JJ-23102-00-00	FRONT FORK ASSEMBLY LASS'Y (L.H)	1	UR LIGHT GRAY METALLIC 1
	3JJ-23102-10-00	FRONT FORK ASS'Y (L.H)	1	UR CLEAR
2	3JJ-23126-00-00	. TUBE, OUTER 1	1	UR LIGHT GRAY METALLIC 1
	3JJ-23126-10-00	. TUBE, outer 1	1	UR CLEAR
3	122-23129-00-00	. . GASKET, DRAIN PLUG	1	
4	4H7-23119-00-00	. . PLUG, DRAIN - (122-23119-01)	1	
5	26H-23156-00-00	. CLIP, OIL SEAL	1	
6	1NL-23145-00-00	. OIL SEAL	1	
7	3JJ-23125-00-00	. METAL, slide 1	1	
8	26H-23149-00-00	. WASHER, spring upper	1	
9	3JJ-23110-00-00	. INNER TUBE COMP. 1	1	
10	3JJ-23171-00-00	. . PISTON, front fork	1	
11	26H-23173-00-00	. SPINDLE, taper	1	
12	2WR-23170-01-00	. CYLINDER COMP., front fork	1	
13	41R-23141-00-00	. SPRING, front fork	1	
14	1FK-23142-00-00	. SEAT, SPRING UPPER	1	
15	26H-23147-00-00	. O-RING	1	
16	2K8-23158-L0-00	. GASKET	1	
17	1NL-23111-00-00	. BOLT, cap	1	
18	26H-23168-00-00	. CAP, front fork	1	
19	1NL-23181-00-00	. BOLT, hexagon socket head	1	
20	26H-23153-00-00	. RING, snap	1	
21	26H-23146-00-00	. WASHER, oil seal	1	
22	26H-2319L-00-00	. WASHER	1	
23	26H-2319M-00-00	. SPRING, valve	2	
24	1NL-23147-00-00	. O-RING	2	

CONTINUED ON NEXT FRAME ►



# FRONT FORK

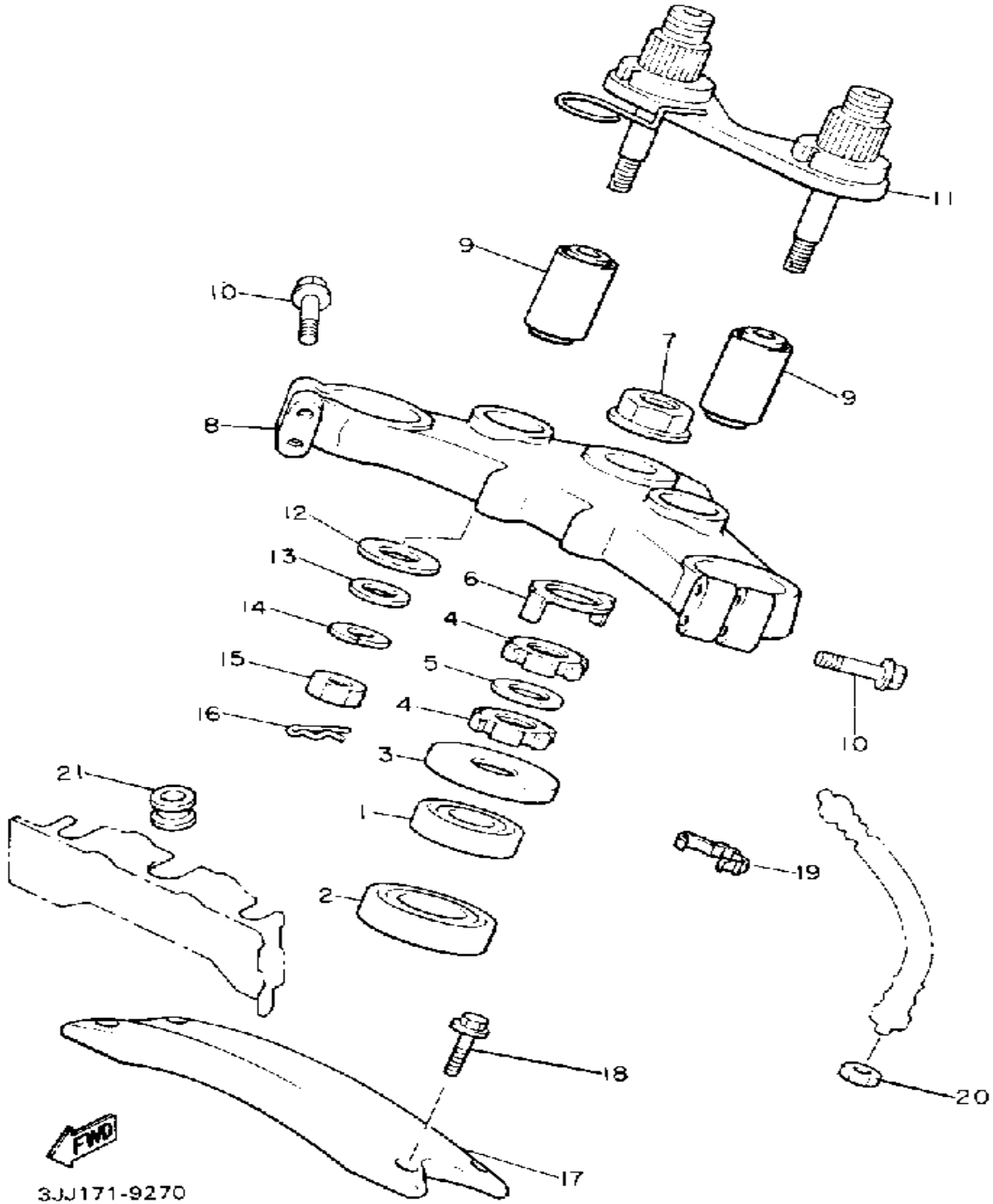


Ref. No.	Part Number	Description	Qty	Remarks
50	1NL-23181-00-00	. BOLT, hexagon socket head	1	
51	26H-23153-00-00	. RING, snap	1	
52	91311-08040-00	. BOLT, SOCKET HEAD	1	
53	90201-08085-00	. WASHER, PLATE	1	
54	26H-23146-00-00	. WASHER, oil seal	1	
55	26H-2319L-00-00	. WASHER	1	
56	26H-2319M-00-00	. SPRING, valve	2	
57	1NL-23147-00-00	. O-RING	2	
58	22N-23346-00-00	. BOLT 1	2	
59	2WR-2310E-00-00	. A.N.D. MODULATOR ASS'Y 1	1	
60	1NL-2316E-00-00	. SPACER	1	
61	1NL-23188-00-00	. O-RING	1	
62	1NL-2319U-00-00	. CAP	1	
63	1NL-23188-10-00	. O-RING	1	
64	2WR-2318U-00-00	. PLATE, seat	1	
65	2WR-23340-01-00	UNDER BRACKET COMP	1	
66	91311-08035-00	BOLT	4	
67	92990-08100-00	WASHER	4	
68	2LV-2318F-00-00	HOSE, air	1	
69	1NL-2318K-00-00	HOSE, air 2	1	
70	26H-2319A-00-00	JOINT, air 2	1	
71	26H-2318A-00-00	JOINT, air 1	1	
72	26H-23188-00-00	O-RING	4	
73	3J2-23147-00-00	O-RING	4	
74	31M-2318E-00-00	CONNECTOR	1	
75	26H-23163-00-00	GASKET	2	
76	3JJ-23191-00-00	BOOT	2	
77	43M-23192-L0-00	BAND	2	
78	98506-04018-00	SCREW, PAN HEAD	2	

CONTINUED ON NEXT FRAME ➤



# STEERING

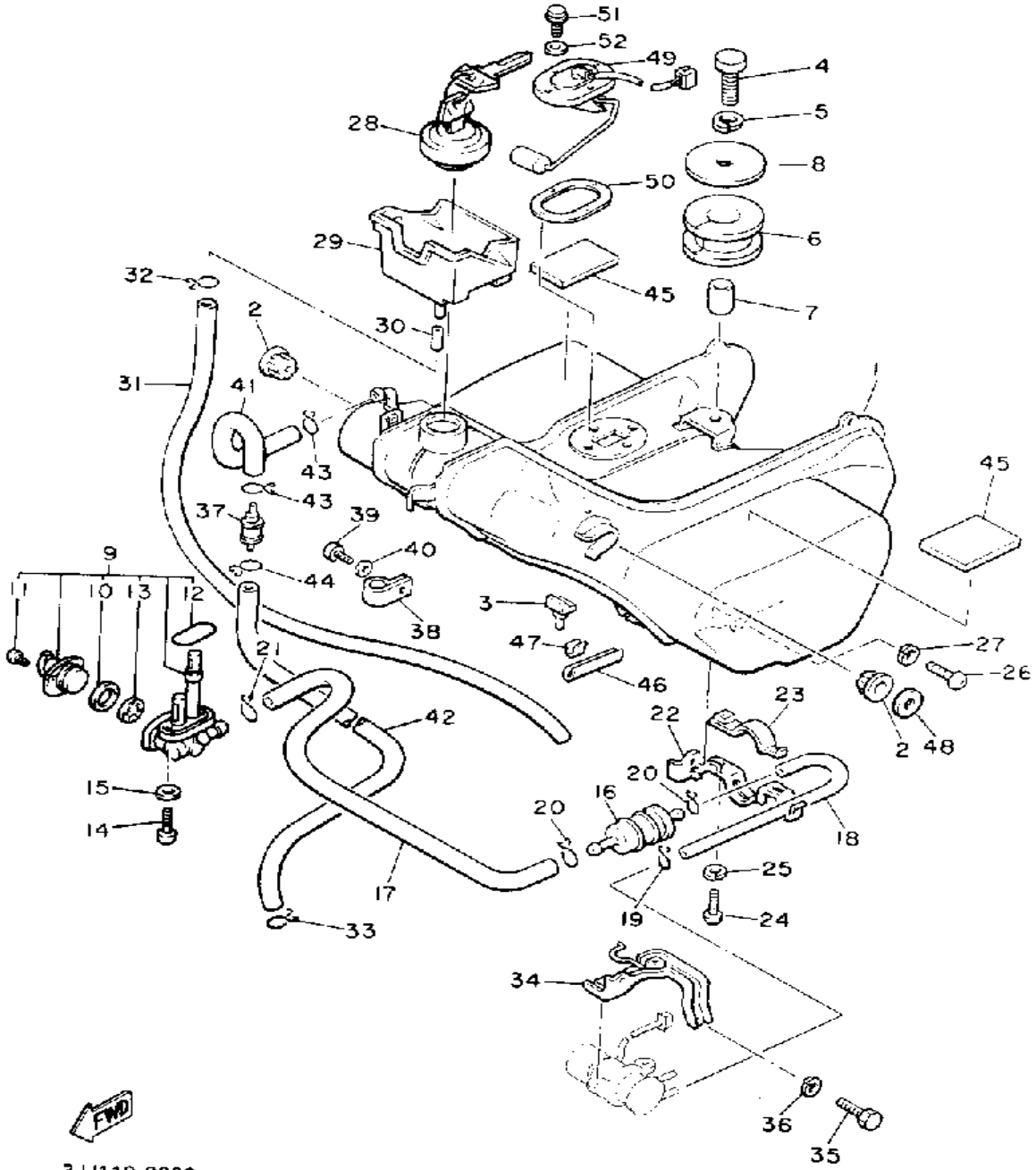


Ref. No.	Part Number	Description	Qty	Remarks
1	93332-00001-00	BEARING .....	1	
2	93332-00008-00	BEARING .....	1	
3	1J7-23415-00-00	COVER, BALL RACE 1 .....	1	
4	90179-25033-00	NUT .....	2	
5	90202-26142-00	WASHER, PLATE .....	1	
6	26H-23418-01-00	WASHER, SPECIAL .....	1	
7	90179-22412-00	NUT .....	1	
8	1NL-23440-00-98	CROWN, handle .....	1	LOW GLOSS BLACK
9	1NL-23434-00-00	HOLDER, damper .....	2	
10	95816-08045-00	BOLT, FLANGE .....	4	
11	1NL-23442-00-00	HOLDER, handle lower .....	1	
12	90202-19173-00	WASHER, plate .....	2	
13	90201-126K4-00	WASHER, plate .....	2	
14	92901-12100-00	WASHER, SPRING .....	2	
15	95301-12700-00	NUT (95302-12700) .....	2	
16	90468-12124-00	CLIP .....	2	
17	26H-2313A-00-00	BRACE, fork .....	1	
18	90105-08705-00	BOLT, WASHER BASED .....	4	
19	90465-14310-00	CLAMP .....	6	
20	95303-10700-00	NUT .....	1	
21	90480-14455-00	GROMMET .....	1	

3JJ171-9270



# FUEL TANK

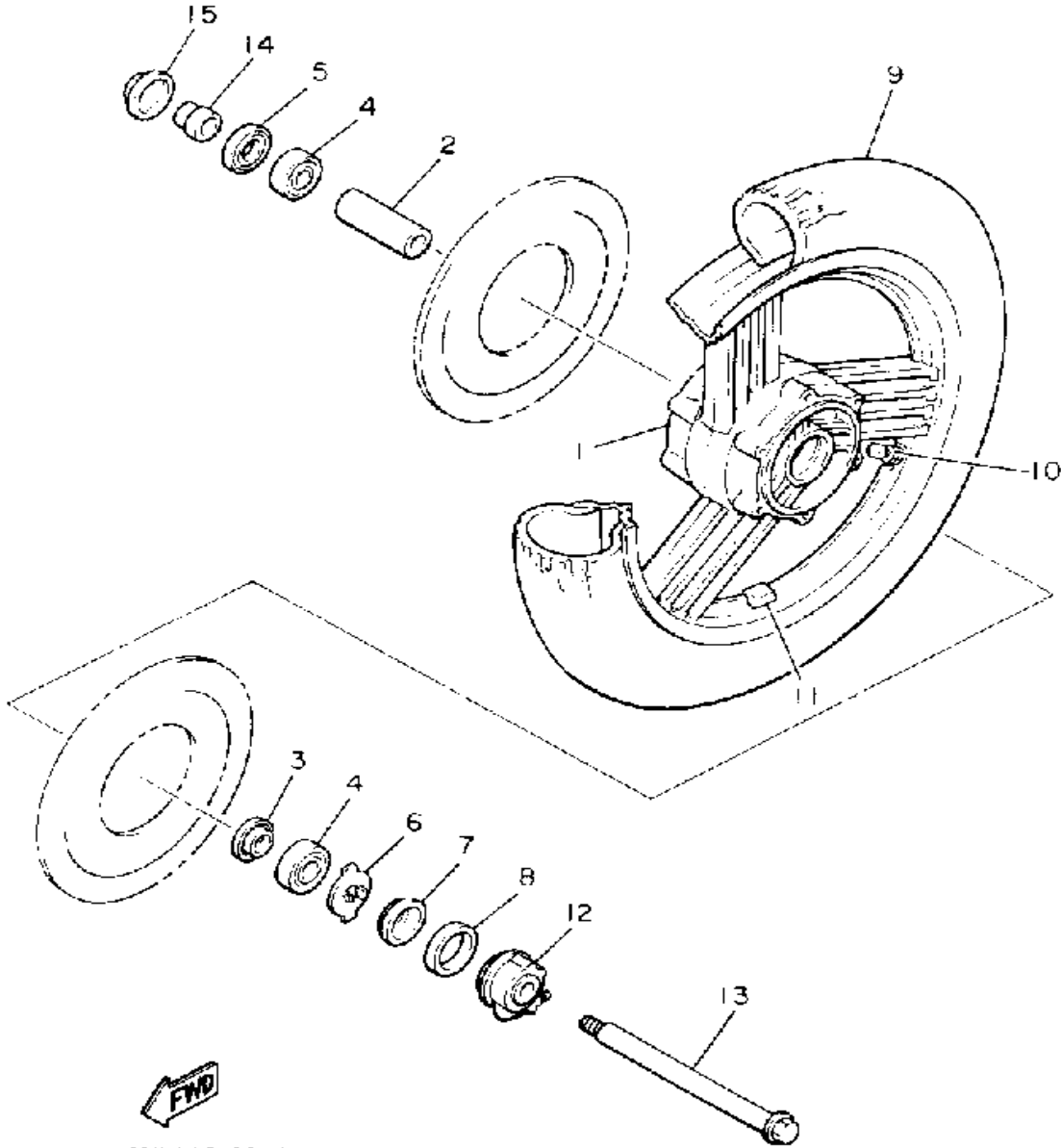


Ref. No.	Part Number	Description	Qty	Remarks
30	(54K-24376-00-00)	PIPE, JOINT 1	1	
31	90445-042E2-00	HOSE	1	
32	90467-08021-00	CLIP	1	
33	90467-08003-00	CLIP	1	
34	26H-24491-01-00	BRACKET, fuel pump	1	
35	97013-06012-00	BOLT	2	
36	92995-06100-00	WASHER, SPRING	2	
37	25H-24180-00-00	ROLL OVER VALVE ASSEMBLY	1	
38	90461-15100-00	CLAMP	1	
39	98580-05010-00	SCREW, PAN HEAD	1	
40	92901-05600-00	WASHER, PLATE	1	
41	54K-24311-00-00	PIPE, fuel 1	1	
42	(1UW-24312-00-00)	PIPE 2	1	UR CALIF. ONLY
	(54K-24312-00-00)	PIPE 2	1	UR NON-CALIF.
43	90467-10008-00	CLIP	2	UR NON-CALIF
44	90467-08003-00	CLIP	1	UR NON-CALIF.
45	31A-21638-00-00	DAMPER 1	2	
46	26H-24188-00-00	MOLD, fuel tank	2	
47	90468-03063-00	CLIP	4	
48	90202-16163-00	WASHER, plate	2	
49	26H-85752-00-00	SENDER UNIT ASS'Y, fuel meter	1	
50	2H7-85753-00-00	GASKET, SENDER UNIT	1	
51	95821-06014-00	BOLT, FLANGE	4	
52	90202-05187-00	WASHER, PLATE	4	

3JJ110-0290



# FRONT WHEEL

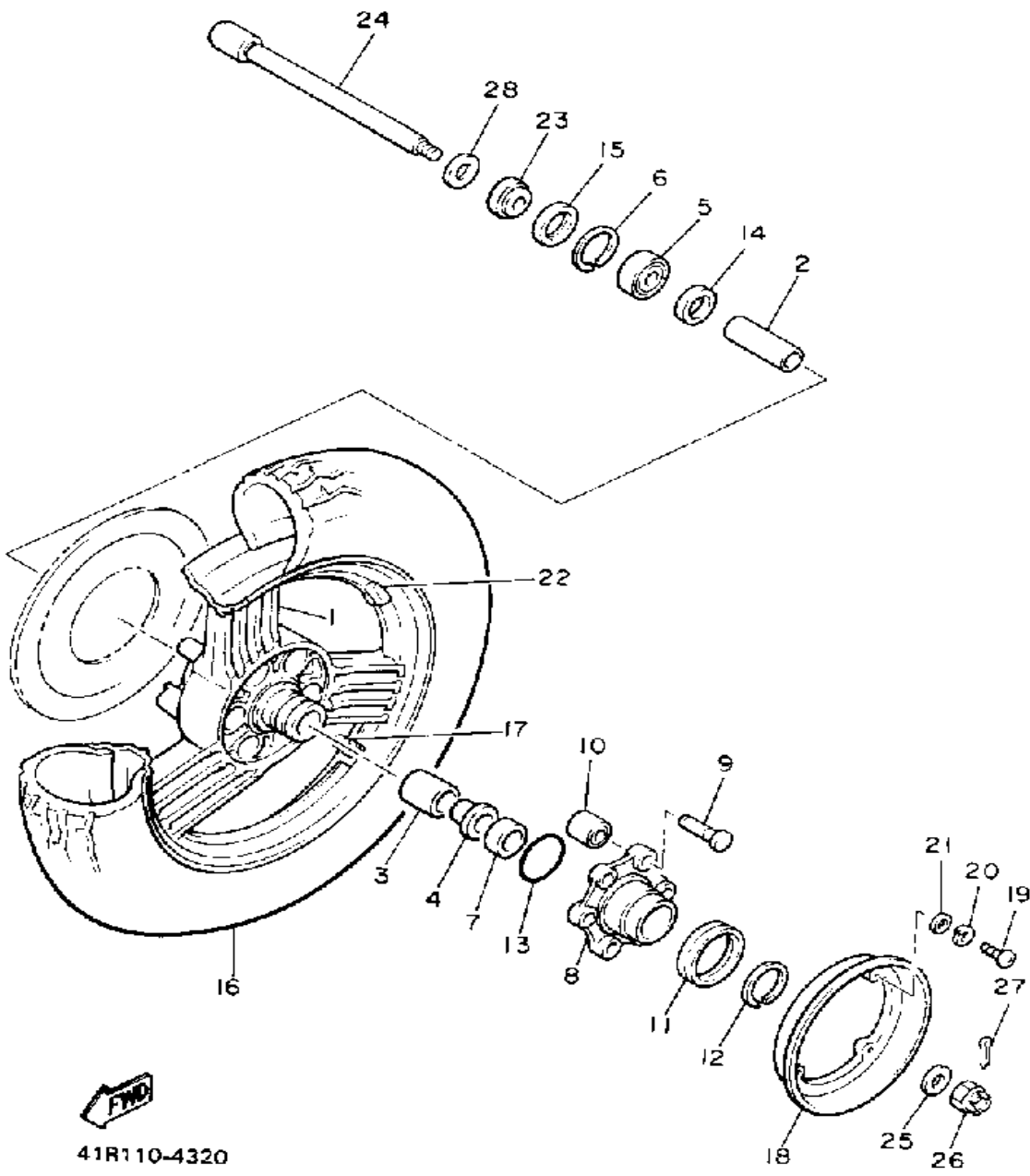


1NL110-6310

Ref. No.	Part Number	Description	Qty	Remarks
1	41R-25168-00-35	CAST WHEEL, front	1	UR SILVER
	41R-25168-00-P0	WHEEL, CAST FRONT	1	UR LIGHT YELLOWISH GRAY ME 4
2	90560-17233-00	SPACER	1	
3	146-25315-00-00	FLANGE, SPACER	1	
4	93306-30309-00	BEARING	2	
5	93102-28022-00	OIL SEAL	1	
6	341-25149-00-00	CLUTCH, METER	1	
7	341-25846-00-00	RETAINER, CLUTCH	1	
8	93105-45017-00	OIL SEAL	1	
9	94112-187G9-00	TIRE (MCS 120/90-18 65H)	1	UR BRIDGESTONE
10	93900-00001-00	VALVE, RIM	1	UR BRIDGESTONE
	93900-00003-00	VALVE, RIM	1	UR DUNLOP
11	1A1-25398-01-00	BALANCER, WHEEL	1	UN
	1A1-25399-00-00	BALANCER, WHEEL	1	UN
	2M0-25399-00-00	BALANCER, WHEEL	1	UN
12	26H-25190-00-00	GEAR UNIT ASSEMBLY	1	
13	1NL-25181-00-00	AXLE, wheel	1	
14	90387-173H2-00	COLLAR	1	
15	341-25118-00-00	COVER, hub dust	1	



# REAR WHEEL

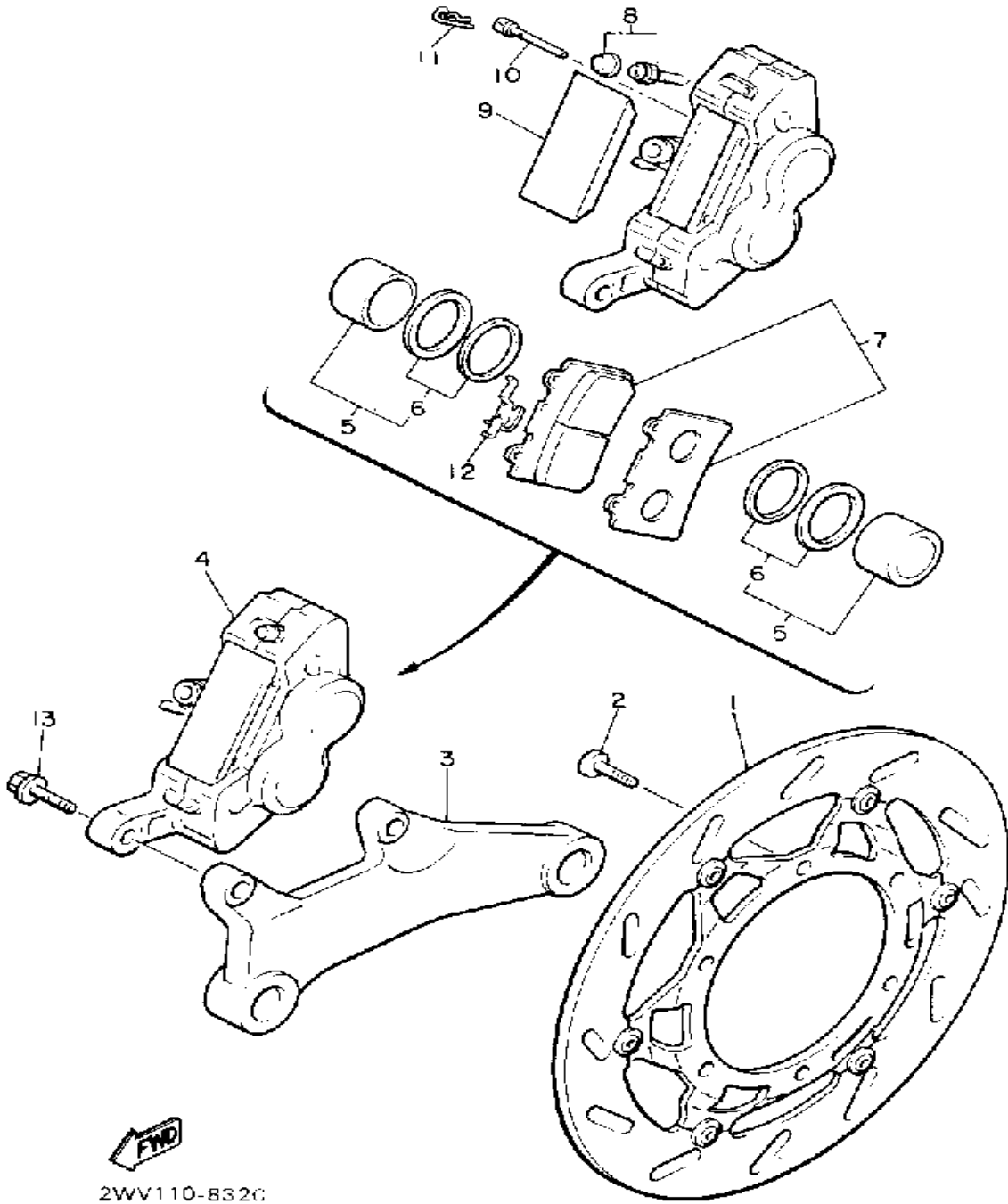


Ref. No.	Part Number	Description	Qty	Remarks
1	26H-25338-20-35	CAST WHEEL, rear	1	UR SILVER
	26H-25338-20-P0	WHEEL, CAST REAR	1	UR LIGHT YELLOWISH GRAY ME 4
2	90560-20235-00	SPACER	1	
3	93317-32635-00	BEARING, CYLINDRICAL	1	
4	90387-203H7-00	COLLAR	1	
5	93306-30417-00	BEARING (B6304ZZ)	1	
6	99009-52500-00	CIRCLIP	1	
7	93102-25064-00	OIL SEAL	1	
8	26H-25366-00-00	CLUTCH, HUB	1	
9	90249-12167-00	PIN	6	
10	26H-25364-00-00	DAMPER	6	
11	1J7-25319-01-00	SEAL, HUB DUST	1	
12	93440-45022-00	CIRCLIP	1	
13	93210-68347-00	O-RING	1	
14	2H7-25315-00-00	FLANGE, SPACER	1	
15	93106-40027-00	OIL SEAL	1	
16	94114-167G8-00	TIRE (MCS 140/90-16 71H)	1	UR BRIDGESTONE BRIDGESTONE
17	93900-00016-00	VALVE, RIM	1	
18	1FK-25327-00-00	COVER, PLATE	1	
19	98501-05018-00	. SCREW, PAN HEAD	4	
20	92990-05100-00	WASHER, SPRING	4	
21	92901-05600-00	WASHER, PLATE	4	
22	1A1-25398-01-00	BALANCER, WHEEL	1	UN
	1A1-25399-00-00	BALANCER, WHEEL	1	UN
	2M0-25399-00-00	BALANCER, WHEEL	1	UN
23	90387-200J2-00	COLLAR	1	
24	26H-25381-00-00	AXLE, wheel	1	

CONTINUED ON NEXT FRAME ➤



# REAR BRAKE CALIPER

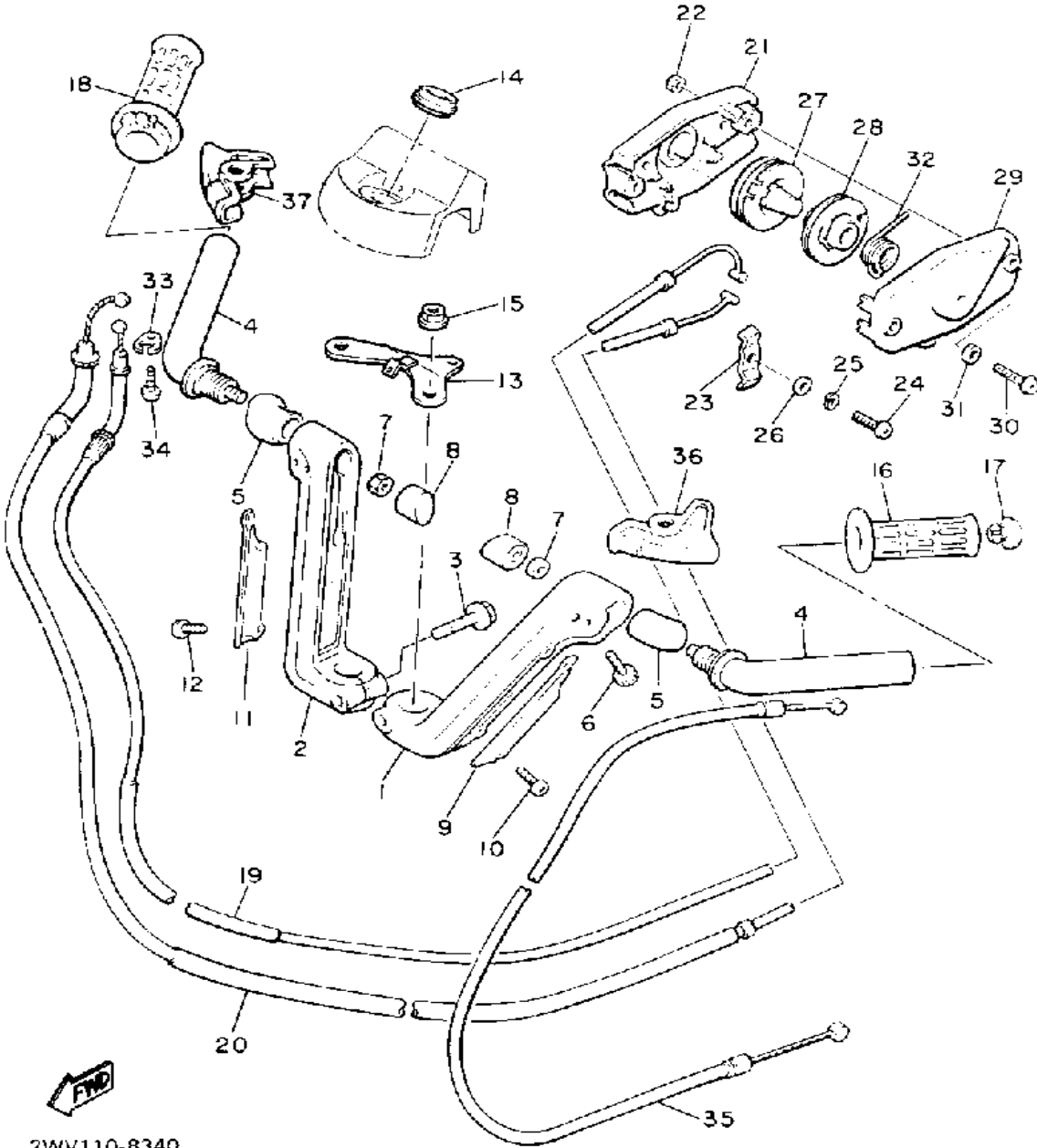


2WV110-832C

Ref. No.	Part Number	Description	Qty	Remarks
1	1NL-25830-52-00	DISK BRAKE ASS'Y (1NL-25830-51-00)	1	
2	90109-08718-00	BOLT	6	
3	1NL-25819-00-00	BRACKET, caliper	1	
4	1NL-25810-52-00	CALIPER ASS'Y	1	
5	1KT-W0057-00-00	. PISTON ASSEMBLY, CALIPER	2	
6	1KT-W0047-00-00	. . CALIPER SEAL KIT	1	
7	1NL-W0045-01-00	. BRAKE PAD KIT	1	
8	1J3-W0048-00-00	. BLEED SCREW KIT	1	
9	1KT-25836-00-00	. COVER, DUST	1	
10	3HE-25924-00-00	. PIN, PAD	2	
11	3GM-25925-00-00	. CLIP	2	
12	1KT-25919-00-00	. SUPPORT, pad	1	
13	90105-10638-00	BOLT, WASHER BASED	2	



# HANDLEBAR - CABLE

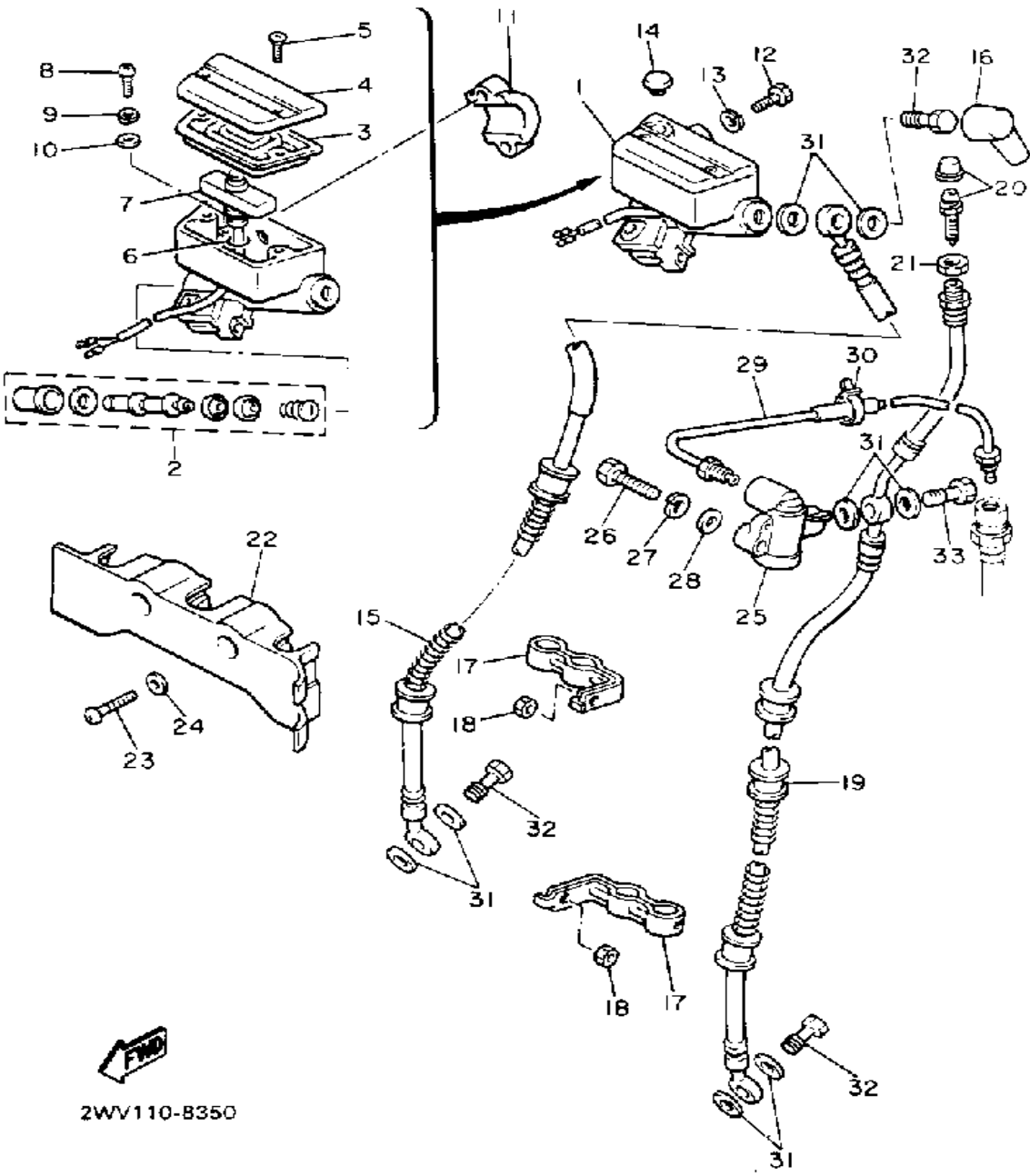


2WV110-8340

Ref. No.	Part Number	Description	Qty	Remarks
30	98503-05025-00	SCREW, PAN HEAD (98501-05025)	2	
31	92901-05600-00	WASHER, PLATE	2	
32	41V-2629L-00-00	SPRING, TORSION	1	
33	5H0-26393-00-00	HOLDER	1	
34	98506-05008-00	SCREW, PAN HEAD	1	
35	26H-26331-00-00	CABLE, starter 1	1	
36	26H-26372-01-00	COVER, handle lever 1	1	
37	26H-2637A-00-00	COVER, handle lever 2	1	



# FRONT MASTER CYLINDER 1

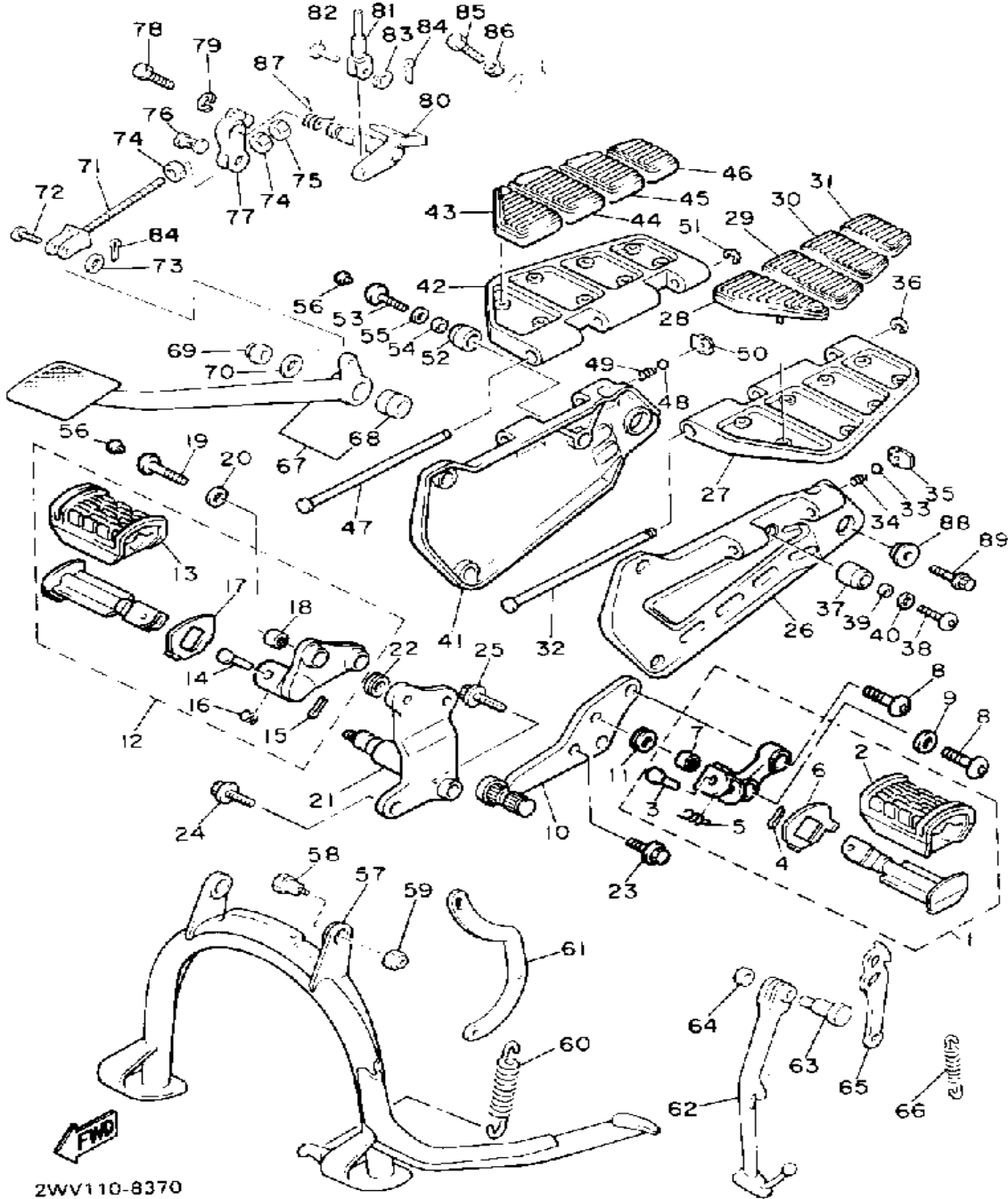


Ref. No.	Part Number	Description	Qty	Remarks
29	26H-25871-00-00	PIPE, brake	1	
30	437-83936-11-00	BAND, SWITCH CORD	2	
31	90201-10118-00	WASHER, PLATE	8	
32	90401-10096-00	BOLT, UNION	3	
33	90401-10114-00	BOLT, union	1	

2WV110-B350



# STAND - FOOTREST



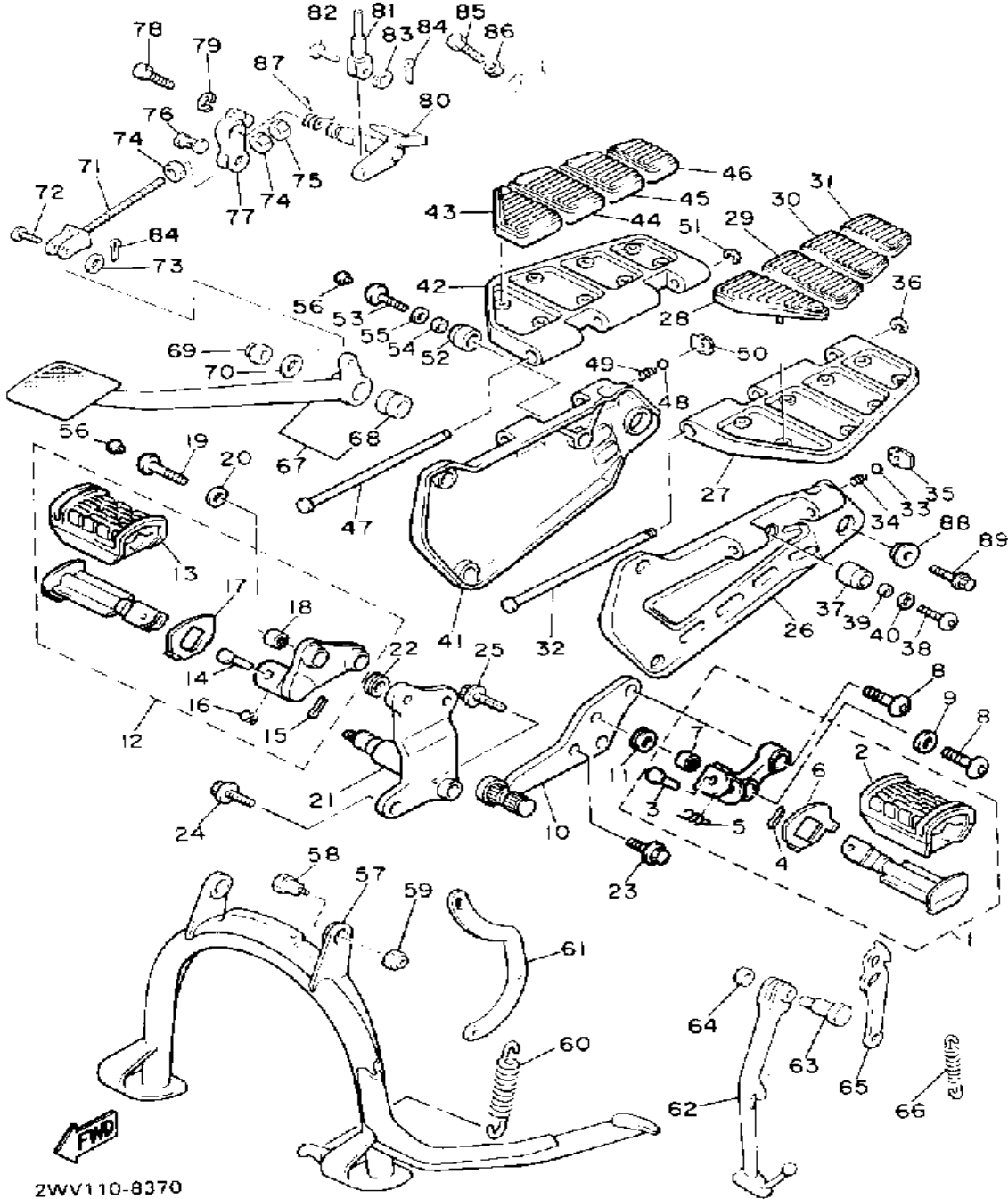
2WV110-8370

Ref. No.	Part Number	Description	Qty	Remarks
1	1NL-27410-01-93	FRONT FOOTREST ASS'Y (LEFT)	1	CHROME- PLATED
2	26H-27413-02-00	. COVER, footrest	1	
3	91701-08038-00	. PIN, CLEVIS	1	
4	91401-25020-00	. PIN, COTTER	1	
5	90508-20023-00	. SPRING, TORSION	1	
6	26H-27417-00-00	. WASHER, footrest	1	
7	1NL-27424-00-00	. DAMPER, FOOTREST 2	2	
8	90110-08127-00	BOLT, hexagon socket head	2	
9	1AA-27415-00-00	PLATE, footrest	2	
10	1NL-2741L-01-00	BRACKET 4 (1NL-2741L-00)	1	
11	90202-19174-00	WASHER, plate	2	
12	1NL-27420-01-93	FRONT FOOTREST ASS'Y (RIGHT)	1	CHROME- PLATED
13	26H-27413-02-00	. COVER, footrest	1	
14	91701-08038-00	. PIN, CLEVIS	1	
15	91401-25020-00	. PIN, COTTER	1	
16	90508-20023-00	. SPRING, TORSION	1	
17	26H-27417-00-00	. WASHER, footrest	1	
18	1NL-27424-00-00	. DAMPER, FOOTREST 2	2	
19	90110-08127-00	BOLT, hexagon socket head	2	
20	1AA-27415-00-00	PLATE, footrest	2	
21	1NL-2742L-01-00	BRACKET 5	1	
22	90202-19174-00	WASHER, plate	2	
23	95023-10030-00	BOLT, flange	2	
24	95023-10020-00	BOLT, flange	1	
25	95023-10030-00	BOLT, flange	1	
26	1NL-27442-00-00	BRACKET 2	1	
27	1NL-27451-00-00	FOOTREST	1	

CONTINUED ON NEXT FRAME ►



# STAND - FOOTREST



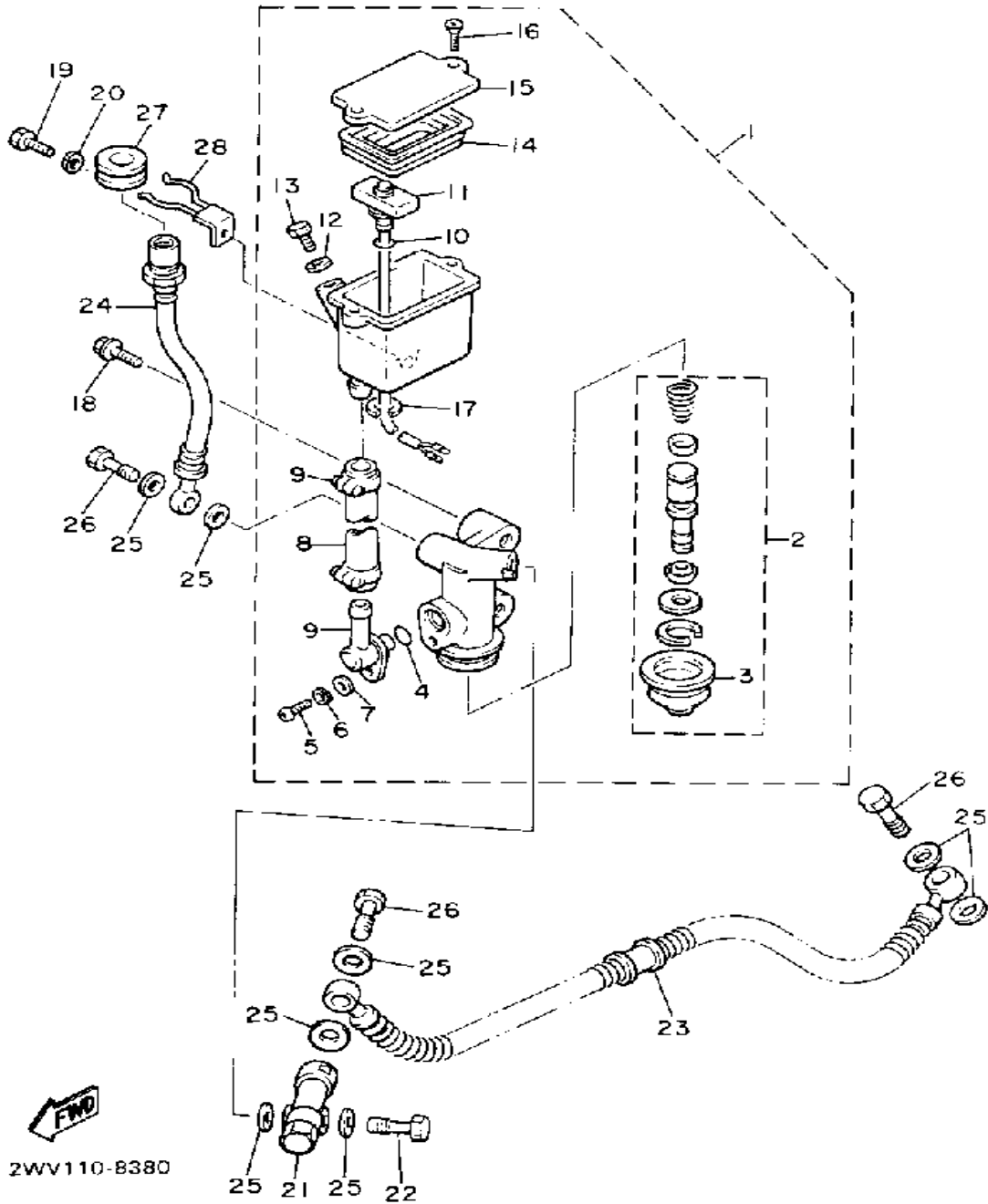
2WV110-8370

Ref. No.	Part Number	Description	Qty	Remarks
57	26H-27111-01-R4	STAND, main	1	BLACK
58	90109-10691-00	BOLT	2	
59	90185-10091-00	NUT, SELF-LOCKING	2	
60	90506-32314-00	SPRING, tension	1	
61	26H-27115-00-00	LINK, main stand	1	
62	26H-27311-01-R4	STAND, side	1	BLACK
63	90109-10474-00	BOLT	1	
64	90185-10037-00	NUT, SELF-LOCKING	1	
65	26H-27315-00-00	LINK, side stand	1	
66	90506-29266-00	SPRING, TENSION	1	
67	26H-27200-00-39	PEDAL, brake	1	CLEAR
68	90387-06701-00	. COLLAR	1	
69	90176-10045-00	NUT, crown	1	
70	90201-100A1-00	WASHER, PLATE	1	
71	26H-27247-01-00	ROD 1	1	
72	90240-06006-00	PIN, CLEVIS	1	
73	92990-06200-00	WASHER	1	
74	90179-08437-00	NUT	2	
75	95303-08700-00	NUT	1	
76	90249-08172-00	PIN	1	
77	26H-27243-00-00	BOSS, brake pedal	1	
78	90101-06291-00	BOLT	1	
79	92995-06100-00	WASHER, SPRING	1	
80	26H-27212-00-00	SHAFT, brake pedal	1	
81	26H-27231-00-00	ROD, brake	1	
82	90240-06006-00	PIN, CLEVIS	1	
83	92990-06200-00	WASHER	1	
84	91490-20020-00	PIN, COTTER	2	
85	97011-06020-00	BOLT	1	

CONTINUED ON NEXT FRAME ➤



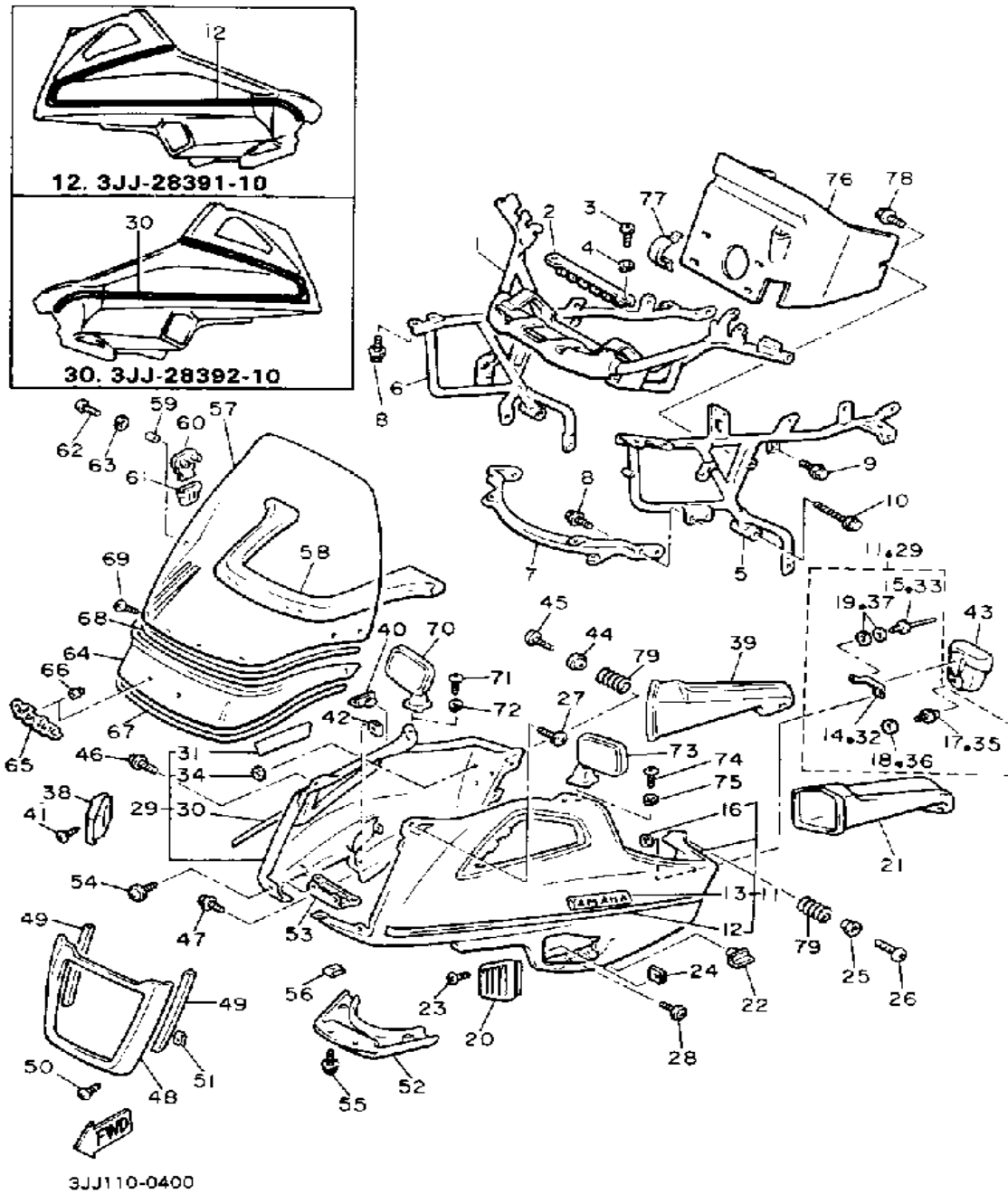
# REAR MASTER CYLINDER



Ref. No.	Part Number	Description	Qty	Remarks
1	1NL-25850-51-00	MASTER CYLINDER ASS'Y	1	
2	4W1-W0041-00-00	. CYLINDER KIT, master	1	
3	1J3-25862-51-00	. . BOOT, master cylinder	1	
4	2M0-25864-50-00	. O-RING	1	
5	98511-04012-00	. SCREW, PAN HEAD	1	
6	92901-04100-00	. WASHER, SPRING	1	
7	92901-04600-00	. WASHER, PLATE	1	
8	26H-25895-50-00	. HOSE, reservoir	1	
9	90460-16237-00	. CLAMP, hose	2	
10	93210-08493-00	. O-RING	1	
11	5G2-85702-00-00	. LEAD SWITCH ASS'Y	1	
12	90201-10610-00	. WASHER, plate	1	
13	90153-10015-00	. SCREW, hexagon	1	
14	1NL-25854-50-00	. DIAPHRAGM, reservoir	1	
15	1NL-25852-51-00	. CAP, reservoir	1	
16	98706-04012-00	. SCREW, FLAT HEAD	2	
17	99001-09600-00	. CIRCLIP	1	
18	90105-08141-00	BOLT, washer based	2	
19	97016-06020-00	BOLT	1	
20	92906-06100-00	WASHER, SPRING	1	
21	1NL-25884-00-00	VALVE, proportioning	1	
22	90401-10044-00	BOLT, UNION	1	
23	26H-25872-52-00	HOSE, brake 1 (26H-25872-51)	1	
24	26H-25874-01-00	HOSE, brake ( (26H-25874-01))	1	
25	90201-10118-00	WASHER, PLATE	8	
26	90401-10096-00	BOLT, UNION	3	
27	341-25881-00-00	PROTECTOR, BRAKE HOSE	1	
28	26H-25887-50-00	HOLDER, brake hose	1	



# FAIRING

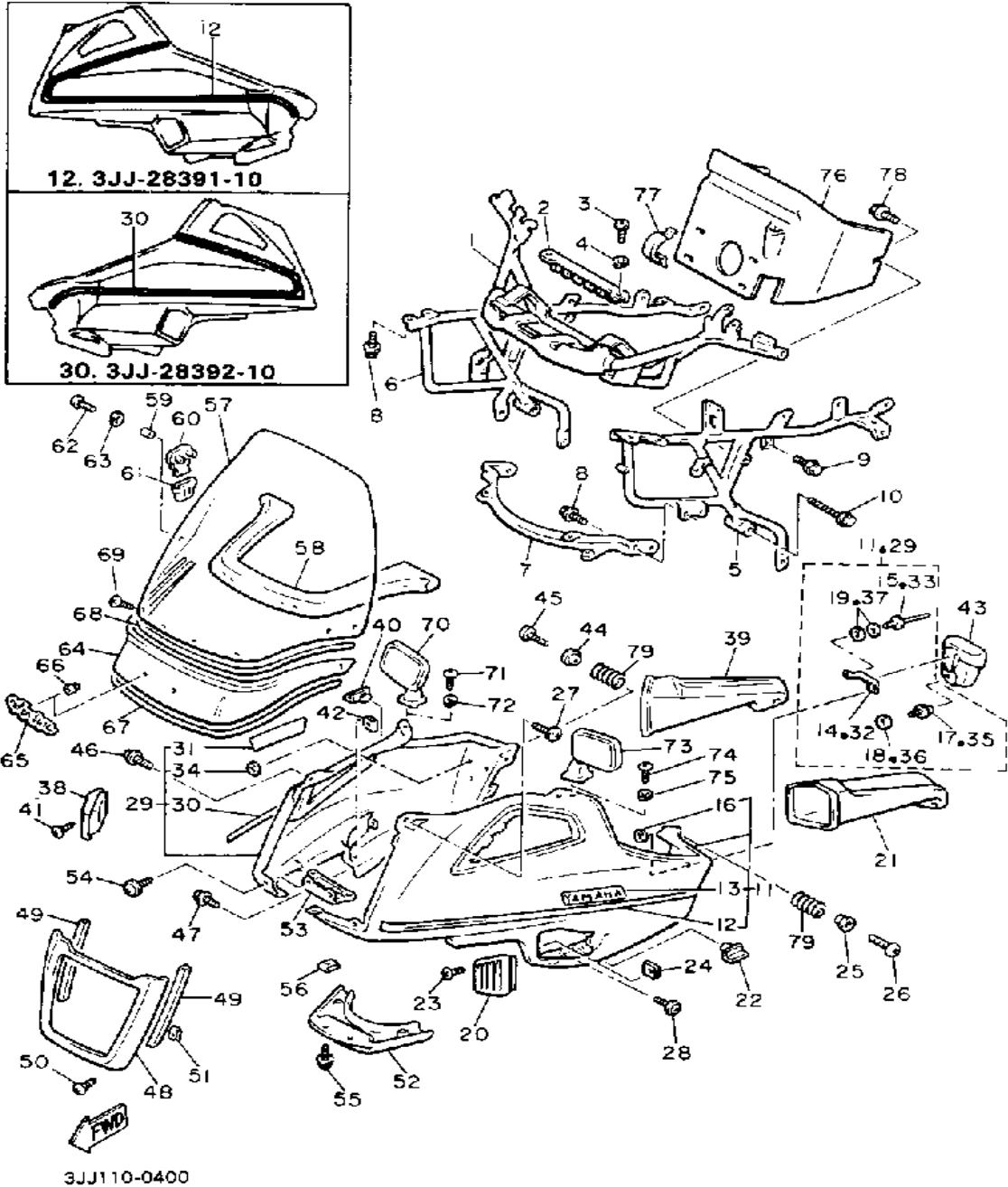


Ref. No.	Part Number	Description	Qty	Remarks
26	98503-06014-00	SCREW, PAN HEAD (92502-06016)	1	
27	90159-06060-00	SCREW, WITH WASHER	2	
28	90159-05134-00	SCREW, w/washer	1	
29	2WR-Y283H-21-9Y	BODY, FRONT UPPER 2	1	UR DULL BLUE COCKTAIL 1
	59G-Y283H-01-XA	BODY, front upper 2	1	UR GRACEFUL MAROON
30	2WR-28392-20-00	. GRAPHIC, COWLING 2	1	UR
	3JJ-28392-10-00	. GRAPHIC 2	1	UR FOR GRM
31	26H-28338-00-00	. EMBLEM	1	
32	59G-28283-01-00	. BRACKET, pouch	1	
33	90267-32019-00	. RIVET, BLIND	2	
34	92990-03200-00	. WASHER, PLAIN	2	
35	59J-28379-00-00	. HOOK	1	W/NUT
36	90201-04325-00	. WASHER, PLATE	1	
37	90201-033H3-00	. WASHER, PLATE	4	
38	26H-2837R-01-33	GRILL, air intake 2	1	YAMAHA BLACK
39	26H-2838U-01-00	DUCT 4	1	
40	26H-28372-00-00	DAMPER	1	
41	90164-04006-00	SCREW, TAPPING	1	
42	90183-04027-00	NUT, SPRING	1	
43	1NL-28281-10-00	POUCH, COWLING	2	UR BLACK
	3JJ-28281-00-00	POUCH, cowling 1	2	UR GRAY
44	90387-064J1-00	COLLAR	1	
45	98503-06014-00	SCREW, PAN HEAD (92502-06016)	1	
46	90159-06060-00	SCREW, WITH WASHER	2	
47	90159-05134-00	SCREW, w/washer	1	
48	1NL-2835A-00-8B	RIM, HEADLIGHT	1	UR DULL BLUE

CONTINUED ON NEXT FRAME ►



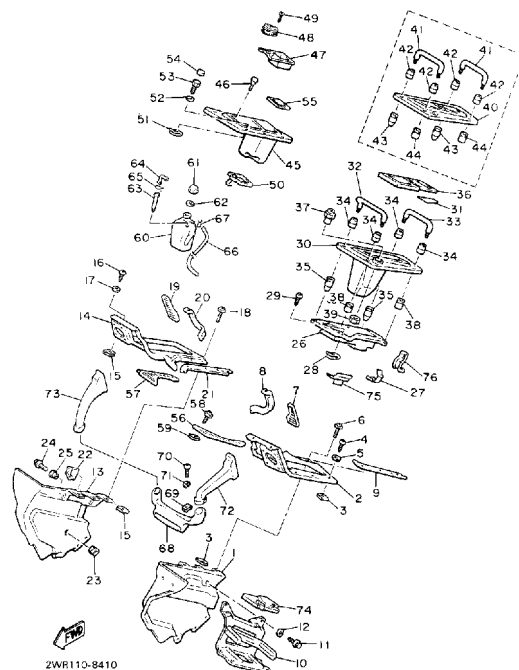
# FAIRING



Ref. No.	Part Number	Description	Qty	Remarks
74	98511-05020-00	SCREW, PAN HEAD	2	
75	92990-05100-00	WASHER, SPRING	2	
76	41V-2836M-00-00	PANEL, inner 3	1	
77	1NL-28366-00-00	BRACKET	2	
78	90119-06117-00	BOLT, WITH WASHER	2	
79	90501-142E6-00	SPRING, compression	2	



# COWLING 1

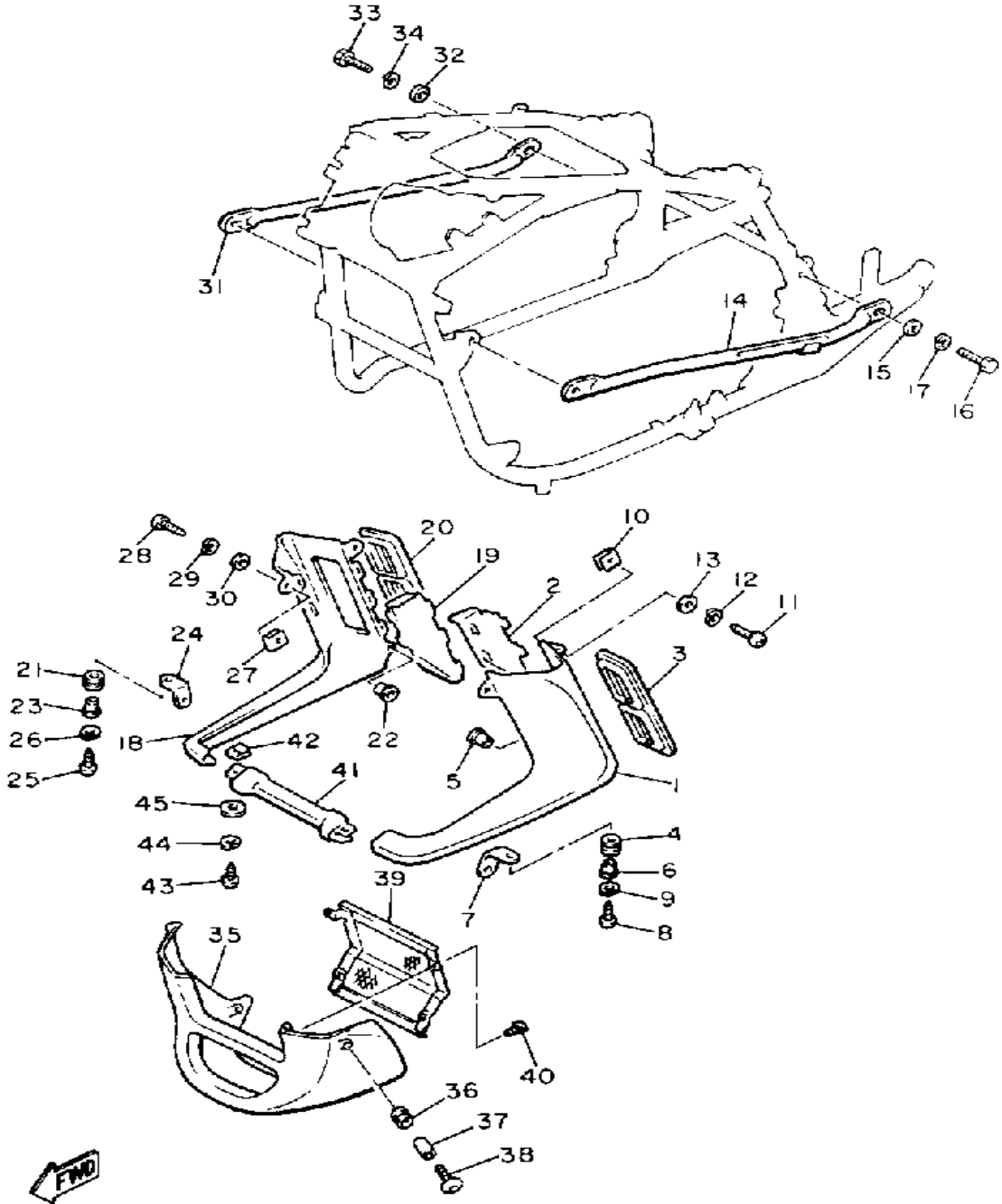


Ref. No.	Part Number	Description	Qty	Remarks
30	26H-28212-00-00	PANEL, accessory 1	1	
31	26H-28291-00-00	EMBLEM 1	1	
32	26H-28214-00-00	HANDLE, carrying 1	1	
33	26H-28224-00-00	HANDLE, carrying 2	1	
34	26H-28215-00-00	WASHER, special	4	
35	26H-28225-00-00	NUT, special	2	
36	26H-28217-00-00	DAMPER, 1	1	
37	26H-21708-00-00	SIDE COVER LOCK ASSEMBLY	1	
38	26H-28244-00-00	NUT, special 2	2	
39	90170-22187-00	NUT	1	
40	26H-28219-00-00	COVER 1	1	
41	26H-28224-00-00	HANDLE, carrying 2	2	
42	26H-28215-00-00	WASHER, special	4	
43	26H-28225-00-00	NUT, special	2	
44	26H-28244-00-00	NUT, special 2	2	
45	59J-28221-00-00	PANEL, terminal	1	
46	26H-2843A-00-00	DAMPER, grip	2	
47	59J-28222-00-00	PANEL, accessory 2	1	
48	1HX-21780-00-00	LOCK ASSEMBLY	1	
49	97701-40510-00	SCREW, TAPPING	2	
50	59J-28242-00-00	BRACKET, accessoryu 2	1	
51	90183-04039-00	NUT, spring	6	
52	92906-04600-00	WASHER, PLATE	6	
53	91316-04016-00	BOLT	6	
54	90338-07175-00	PLUG	6	
55	26H-28247-00-00	DAMPER 4	1	
56	26H-2835E-00-00	HOOD 1	1	
57	26H-2835F-00-00	HOOD 2	1	
58	90159-05134-00	SCREW, w/washer	2	

CONTINUED ON NEXT FRAME ►



# COWLING 2



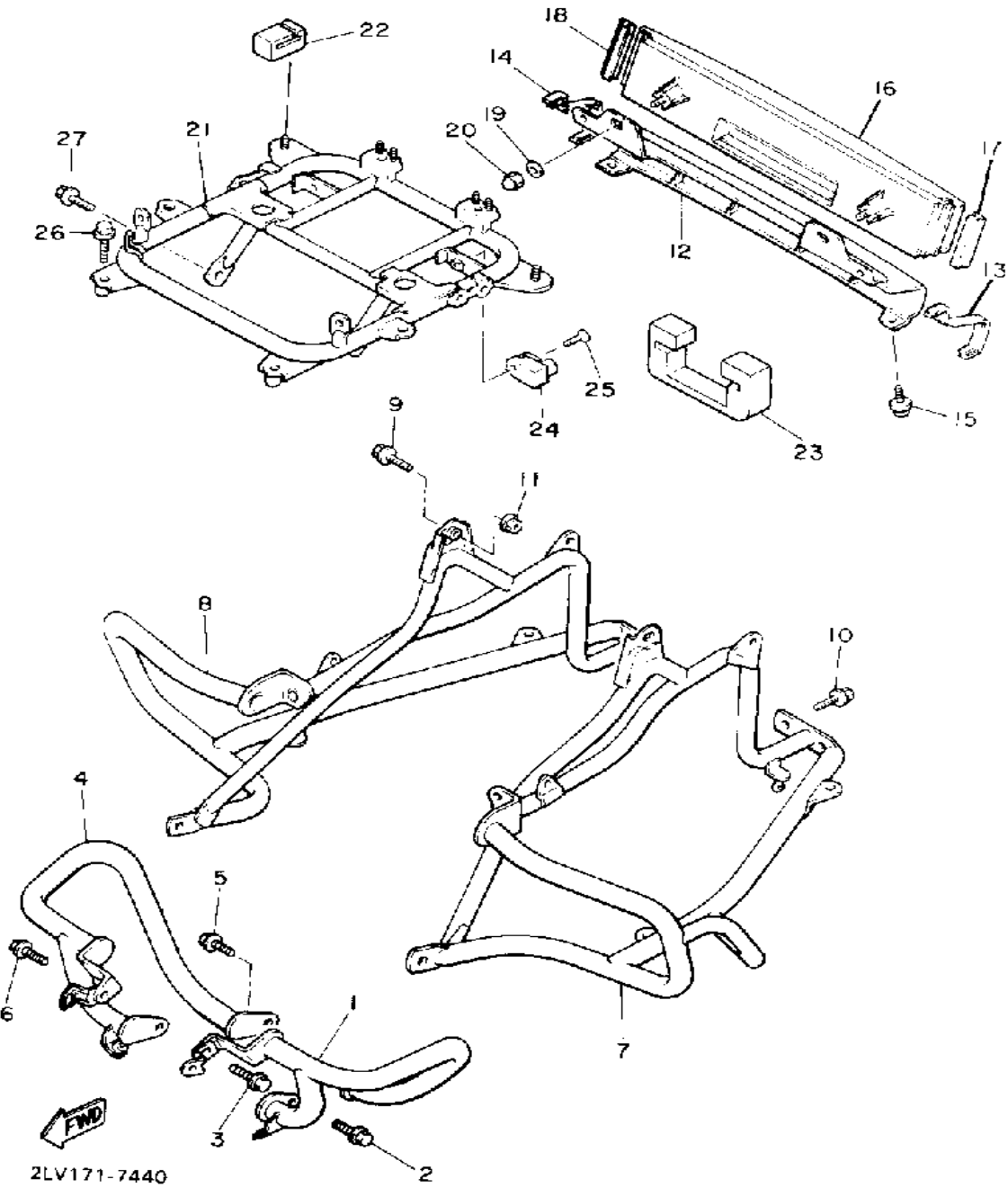
2WV110-8410

Ref. No.	Part Number	Description	Qty	Remarks
1	26H-2835J-01-9B	BODY, FRONT LOWER 1	1	UR DARK GRAYISH BLUE METALLIC
	26H-2835J-01-R0	BODY, front lower 1	1	UR GRACEFUL MAROON
2	26H-2836N-02-00	PANEL, inner 4	1	
3	26H-2837X-00-00	GRILL, air outlet 3	1	
4	90480-15058-00	GROMMET	1	
5	90480-08374-00	GROMMET	1	
6	90387-071E0-00	COLLAR	1	
7	26H-2833X-02-00	BRACKET 2	1	
8	98580-06020-00	SCREW	1	
9	92995-06100-00	WASHER, SPRING	1	
10	90183-06023-00	NUT, SPRING	2	
11	98503-06015-00	UNAVAILABLE IN PRICE BOOK	2	
12	92995-06100-00	WASHER, SPRING	2	
13	92990-06600-00	WASHER, PLATE	2	
14	41R-28357-00-00	STAY 2	1	
15	92990-08200-00	WASHER, PLAIN	1	
16	97313-08020-00	BOLT, HEXAGON	1	
17	92990-08100-00	WASHER	1	
18	26H-2835K-01-9B	BODY, FRONT LOWER 2	1	UR DARK GRAYISH BLUE METALLIC
	26H-2835K-01-R0	BODY, front lower 2	1	UR GRACEFUL MAROON
19	26H-2836R-01-00	PANEL, inner 5	1	
20	26H-2837Y-00-00	GRILL, air outlet 4	1	
21	90480-15058-00	GROMMET	1	
22	90480-08371-00	GROMMET	1	
23	90387-071E0-00	COLLAR	1	
24	26H-2833Y-02-00	BRACKET 3	1	

CONTINUED ON NEXT FRAME ►



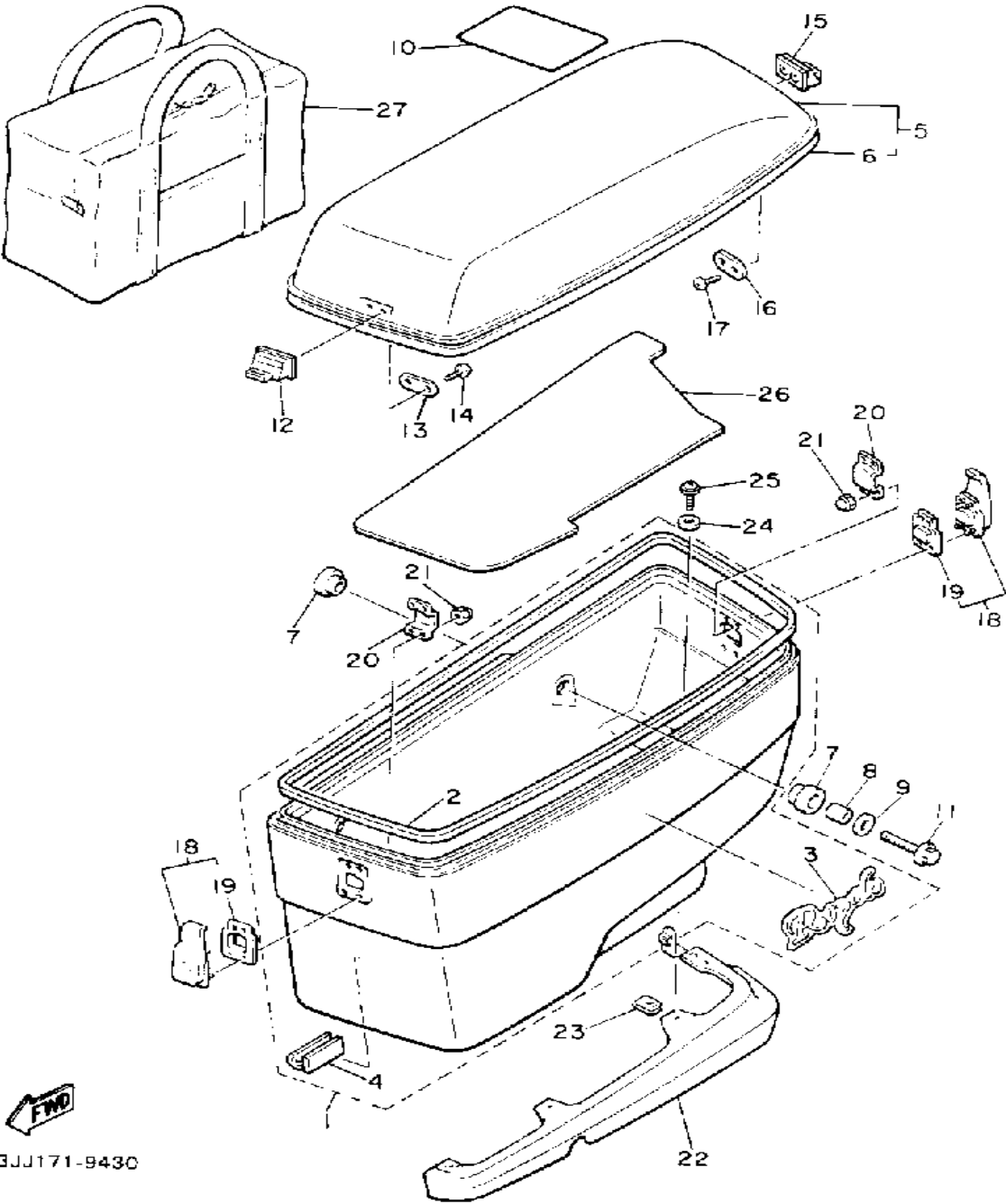
# GUARD



Ref. No.	Part Number	Description	Qty	Remarks
1	1NL-28418-01-00	GUARD, engine 1	1	
2	90105-08705-00	BOLT, WASHER BASED	2	
3	95023-08020-00	BOLT	1	
4	1NL-28419-01-00	GUARD, engine 2	1	
5	90105-08705-00	BOLT, WASHER BASED	2	
6	95023-08020-00	BOLT	1	
7	1NL-28473-02-00	FRAME, saddlebag 1	1	
8	1NL-28474-02-00	FRAME, saddlebag 2	1	
9	95821-08020-00	BOLT, FLANGE (95801-08020)	2	
10	95811-08016-00	BOLT, FLANGE	4	
11	95701-08500-00	NUT, FLANGE	2	
12	1NL-28422-00-00	GUARD, saddlebag 1	1	
13	1NL-28438-00-00	MOULDING 3	1	
14	1NL-28439-00-00	MOULDING 4	1	
15	90159-05134-00	SCREW, w/washer	4	
16	1NL-85130-00-00	REAR REFLECTOR ASS'Y	1	
17	1NL-2844N-00-00	MOULDING 7	1	
18	1NL-2844R-00-00	MOULDING 8	1	
19	92906-06200-00	WASHER	2	
20	95306-06800-00	NUT	2	
21	1NL-28475-00-00	FRAME, TRAVEL TRUNK	1	
22	1NL-28415-00-00	DAMPER 1	1	
23	1NL-28416-00-00	DAMPER 2	2	
24	26H-21308-00-00	HELMET HANGER ASSEMBLY (4R8-21308-00)	2	
25	90149-06150-00	SCREW	2	
26	95811-08040-00	BOLT, FLANGE	2	
27	95811-08016-00	BOLT, FLANGE	2	



# SADDLEBAG 1



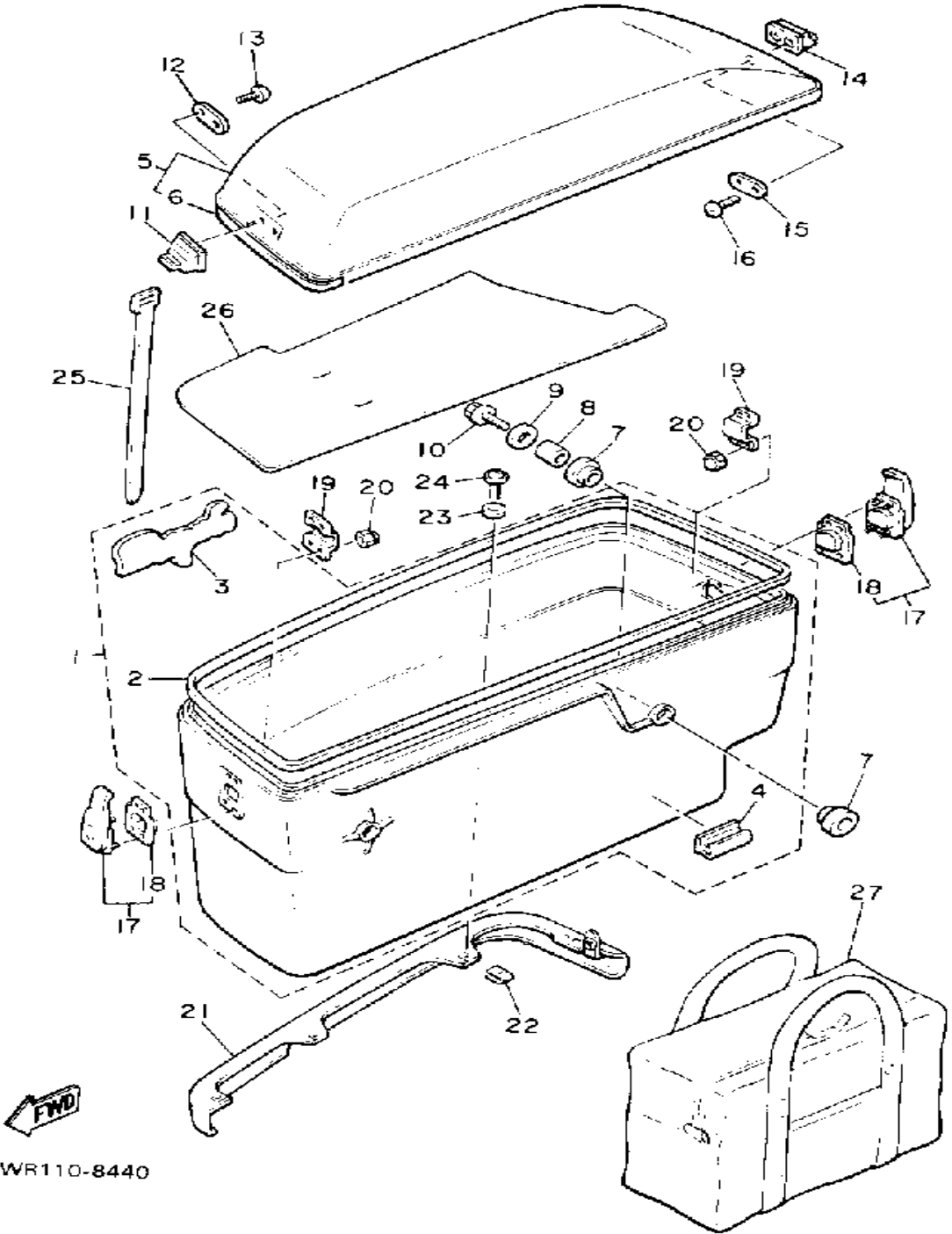
3JJ171-9430

Ref. No.	Part Number	Description	Qty	Remarks
25	90159-05134-00	SCREW, w/washer .....	3	
26	1NL-2848H-00-00	SEAT .....	1	
27	1NL-28479-01-00	BAG INNER 1 .....	1	



# SADDLEBAG 2

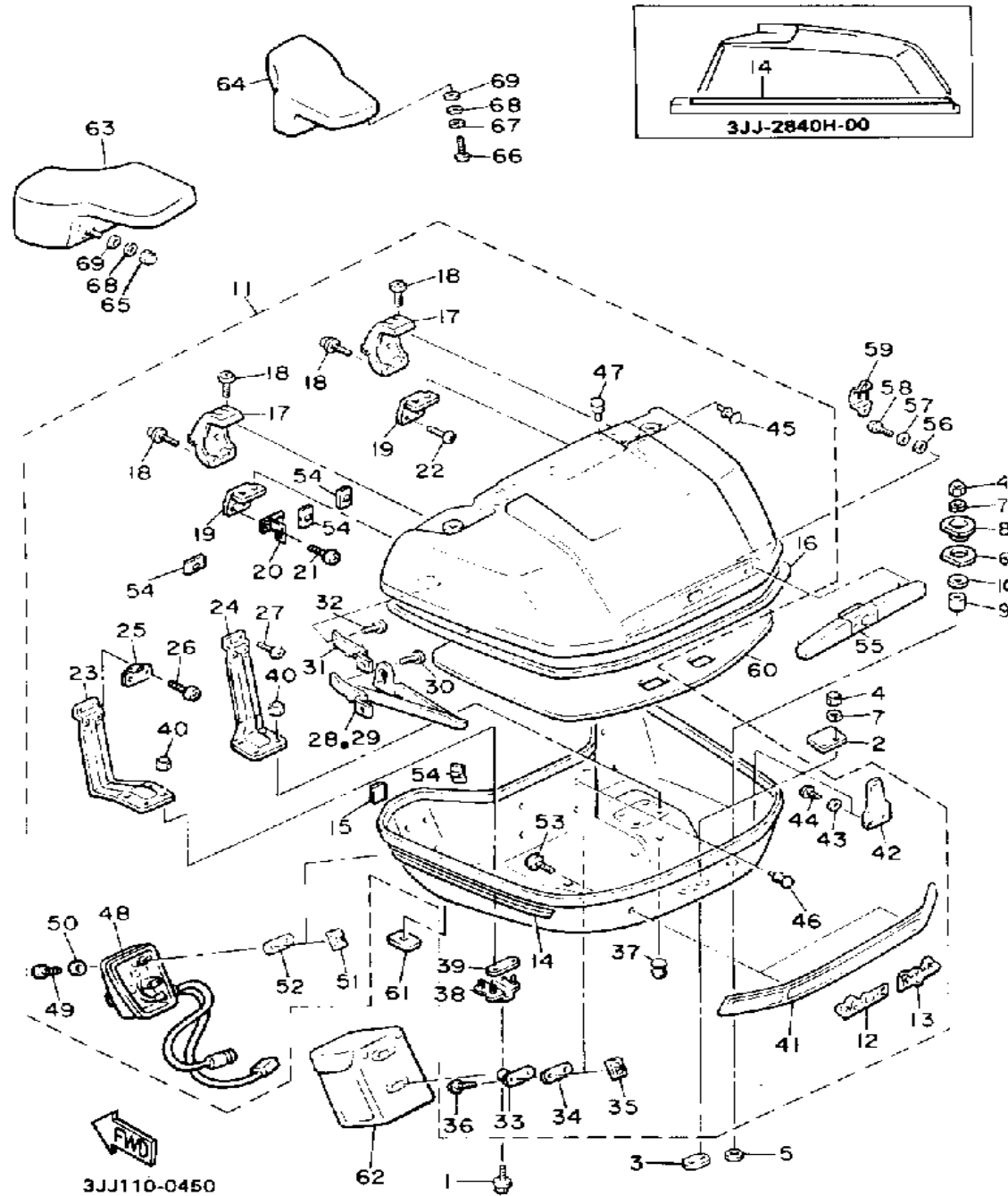
Ref. No.	Part Number	Description	Qty	Remarks
25	26H-21376-00-00	BAND, tool .....	1	
26	1NL-2848H-00-00	SEAT .....	1	
27	1NL-28479-01-00	BAG INNER 1 .....	1	



2WR110-8440



# TRAVELBAG

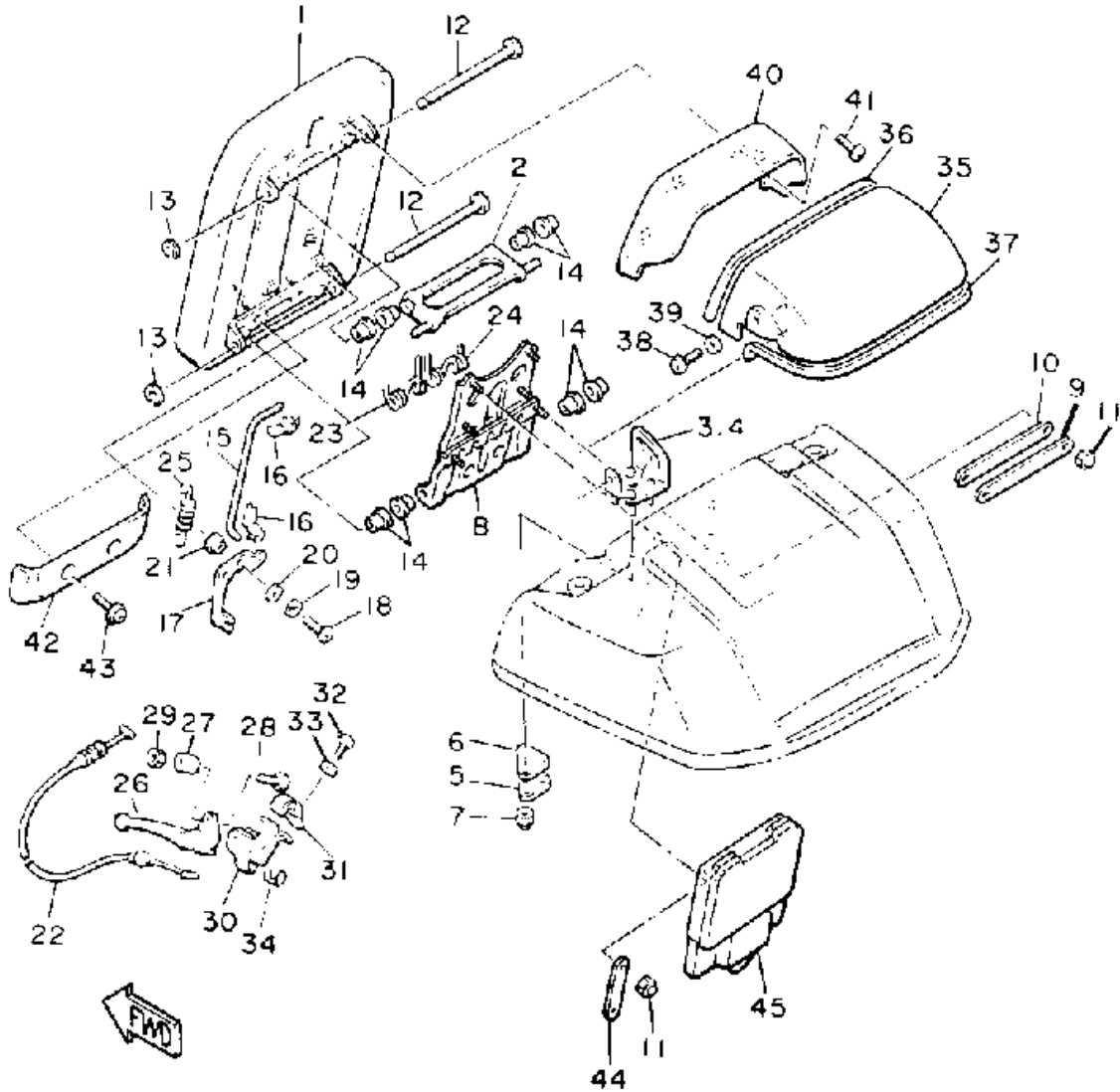


Ref. No.	Part Number	Description	Qty	Remarks
25	1NL-28468-00-00	. TRUNK SWITCH BRKT. 7	1	
26	97701-30108-00	. SCREW, tapping	2	
27	97701-30606-00	. SCREW, tapping (97701-30106)	2	
28	1NL-2845L-00-00	. STOPPER, open	1	FOR LEFT SIDE
29	1NL-2845M-00-00	. STOPPER, open	1	FOR RIGHT SIDE
30	97701-30606-00	. SCREW, tapping (97701-30106)	4	
31	1NL-2849R-00-00	. BRACKET, trunk stopper	2	
32	97701-30606-00	. SCREW, tapping (97701-30106)	4	
33	54K-2844L-00-00	. HOOK	2	
34	54K-2849F-00-00	. SEAL 7	2	
35	54K-2849M-00-00	. NUT, special	2	
36	97701-40710-00	. SCREW, tapping	4	
37	90480-10068-00	. GROMMET	6	
38	1NL-28476-00-00	. BRACKET 3	2	
39	1NL-28485-00-00	. PLATE, rubber 3	4	
40	95306-05800-00	. NUT (CROWN)	8	
41	54K-85140-00-00	. REAR REFLECTOR ASS'Y	1	
42	54K-28488-00-00	. HOOK	2	
43	90201-06059-00	. WASHER, PLATE	4	
44	98506-05010-00	. SCREW, PAN HEAD	4	
45	90338-07180-00	. PLUG	1	
46	90338-06181-00	. PLUG	4	
47	26H-2843A-00-00	. DAMPER, grip	2	
48	1NL-8816A-00-00	. REMOTE CONTROL BASE ASS'Y	1	
49	90167-40042-00	. SCREW, tapping	4	
50	92906-04600-00	. WASHER, PLATE	4	

CONTINUED ON NEXT FRAME ►



# BACK REST



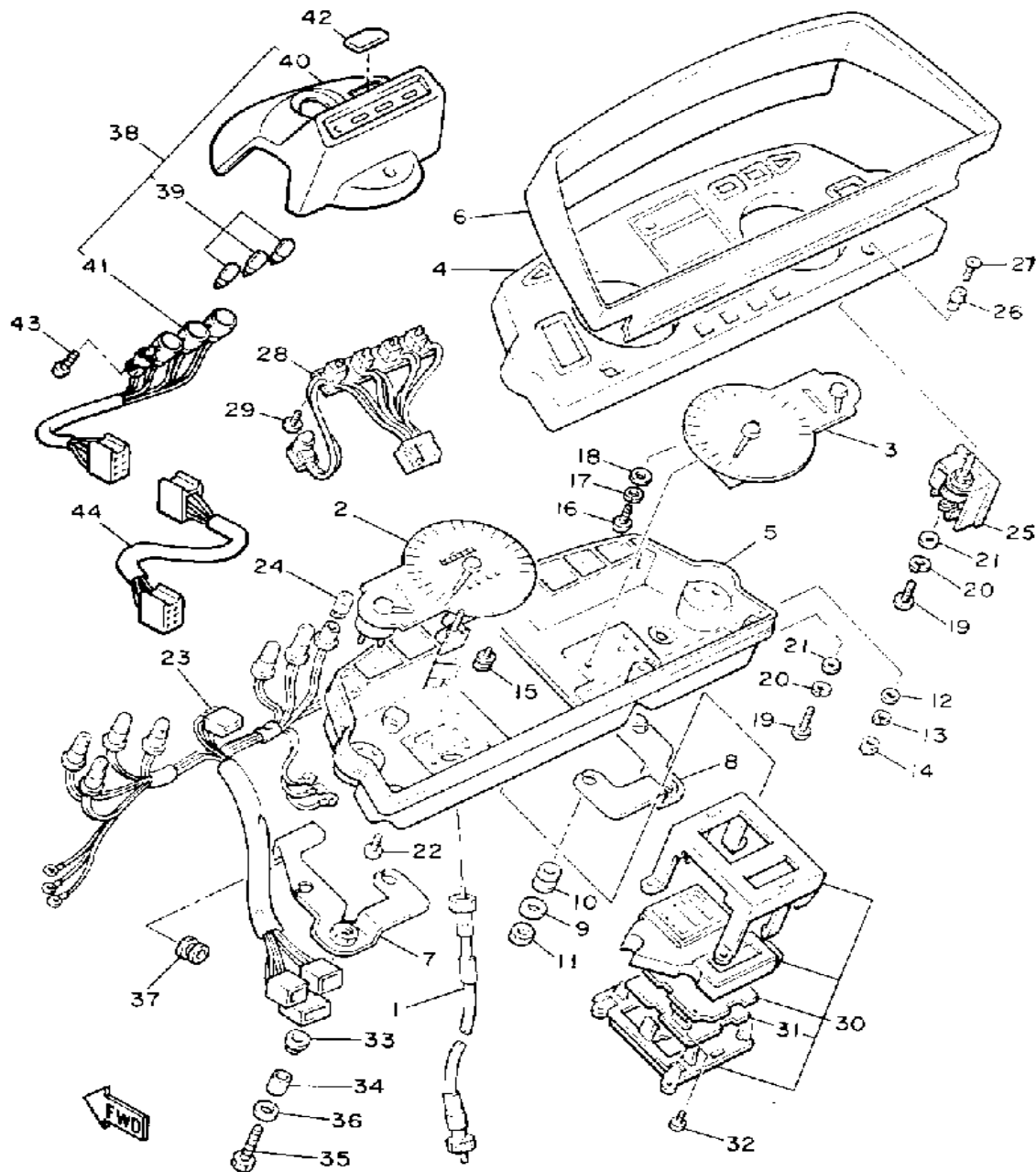
3JJ110-0460

Ref. No.	Part Number	Description	Qty	Remarks
1	1VE-2840F-00-00	BACK REST ASSEMBLY	1	UR BLACK
	3JJ-2840F-00-00	BACK REST ASS"Y	1	UR GRAY/BLACK
2	1NL-28444-00-00	HINGE 1	1	
3	1NL-2846M-01-00	BRACKET, hinge	1	LEFT SIDE
4	1NL-2846N-01-00	BRACKET, hinge 2	1	RIGHT SIDE
5	1NL-2847H-00-00	PLATE 5	2	
6	1NL-2847J-00-00	PLATE, rubber 7	2	
7	95306-05800-00	NUT (CROWN)	6	
8	3JJ-28477-00-00	BRACKET 4	1	
9	1NL-2849H-00-00	PLATE 6	1	
10	1NL-2846J-00-00	PLATE, rubber 6	1	
11	95306-05800-00	NUT (CROWN)	6	
12	1NL-2844M-00-00	SHAFT 1	2	
13	99080-05600-00	CIRCLIP	2	
14	90386-06108-00	BUSH	8	
15	1NL-28478-00-00	ROD	1	
16	1NL-28424-00-00	JOINT, cage	2	
17	1NL-2841A-01-00	LEVER	1	
18	98586-05016-00	SCREW, PAN HEAD	1	
19	92906-05100-00	WASHER, SPRING	1	
20	92906-05600-00	WASHER, PLATE	1	
21	90209-06223-00	WASHER	1	
22	1NL-2843M-00-00	WIRE, adjusting	1	
23	1NL-28489-00-00	SPRING	1	
24	1NL-2848A-00-00	SPRING 2	1	
25	90506-12029-00	SPRING, TENSION	1	
26	583-83981-00-00	LEVER, DECOMPRESSION	1	
27	583-83913-00-00	COLLAR, decompression lever	1	
28	98586-05016-00	SCREW, PAN HEAD	1	

CONTINUED ON NEXT FRAME ➤



# METER



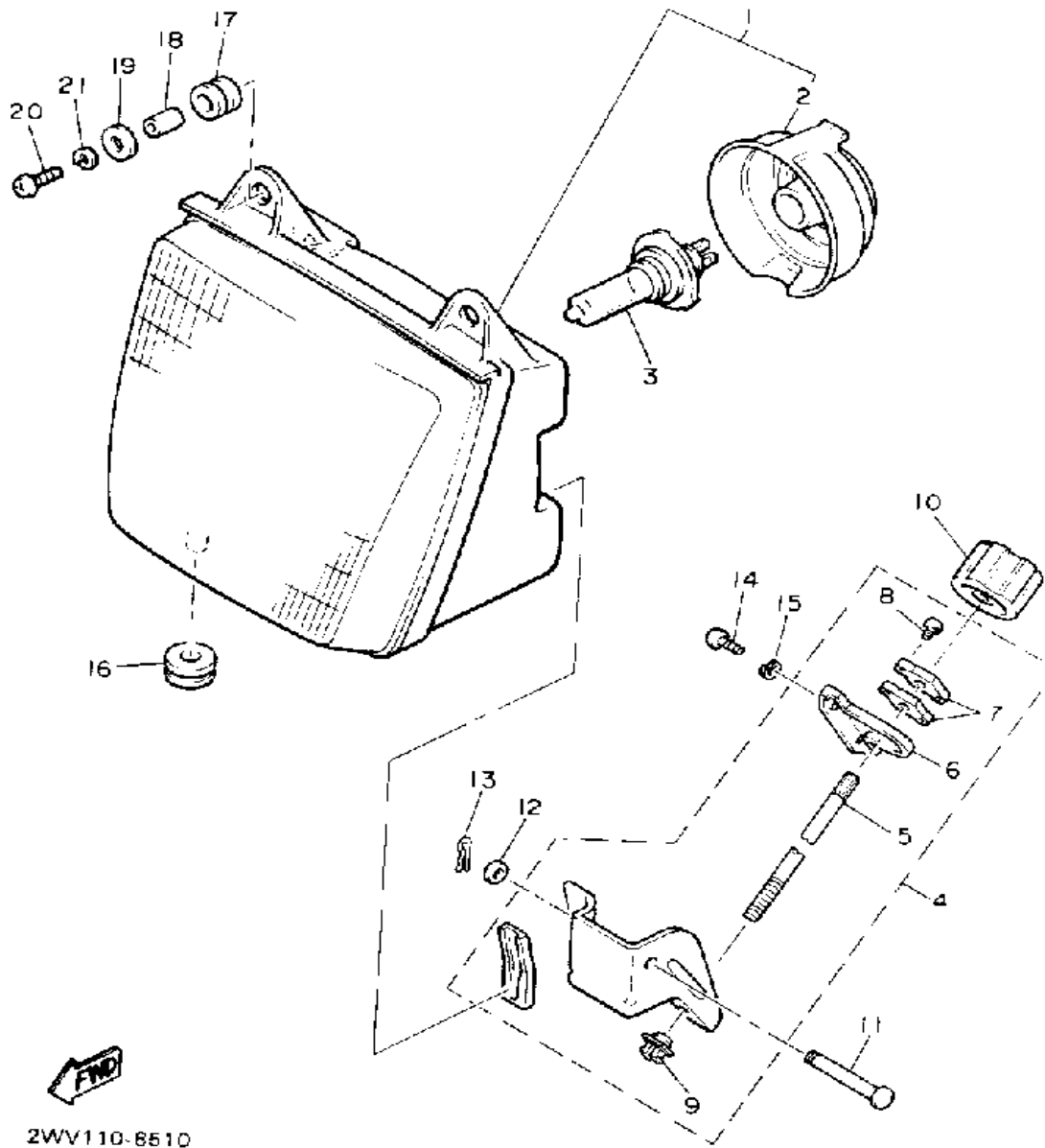
2WV110-8500

Ref. No.	Part Number	Description	Qty	Remarks
1	26H-83550-00-00	SPEEDOMETER CABLE ASS"Y	1	
2	1NL-83570-A0-00	SPEEDOMETER ASS"Y .....	1	
3	1NL-83540-A0-00	TACHOMETER ASS"Y .....	1	
4	1NL-83571-00-00	CASE, speedometer upper ...	1	
5	41R-83572-00-00	CASE, speedometer lower ....	1	
6	26H-8353G-00-00	CASE, upper .....	1	
7	26H-83519-00-00	BRACKET, meter .....	1	
8	26H-83545-00-00	BRACKET, tachometer .....	1	
9	90201-065F3-00	WASHER, PLATE .....	4	
10	5G2-83523-00-00	DAMPER .....	4	
11	95380-06600-00	NUT .....	4	
12	92902-03600-00	WASHER .....	5	
13	92990-03100-00	WASHER, SPRING (92901-03100) .....	5	
14	90179-03478-00	NUT, SPEC" L SHAPE 0 2 ....	5	
15	90167-04021-00	SCREW, TAPPING .....	2	
16	98511-04012-00	SCREW, PAN HEAD .....	2	
17	92901-04100-00	WASHER, SPRING .....	2	
18	92901-04600-00	WASHER, PLATE .....	2	
19	98580-03010-00	SCREW, PAN HEAD (98502-03010) .....	6	
20	92990-03100-00	WASHER, SPRING (92901-03100) .....	6	
21	92902-03600-00	WASHER .....	6	
22	90164-04009-00	SCREW, TAPPING .....	10	
23	41R-83509-00-00	SOCKET CORD ASS"Y .....	1	
24	4G1-84744-00-00	BULB, MTR.12V3.4W .....	9	
25	41R-8357A-00-00	ILLUMINATION CONTROL UNIT ASS"Y .....	1	
26	41R-8357H-00-00	KNOB .....	1	

CONTINUED ON NEXT FRAME ►



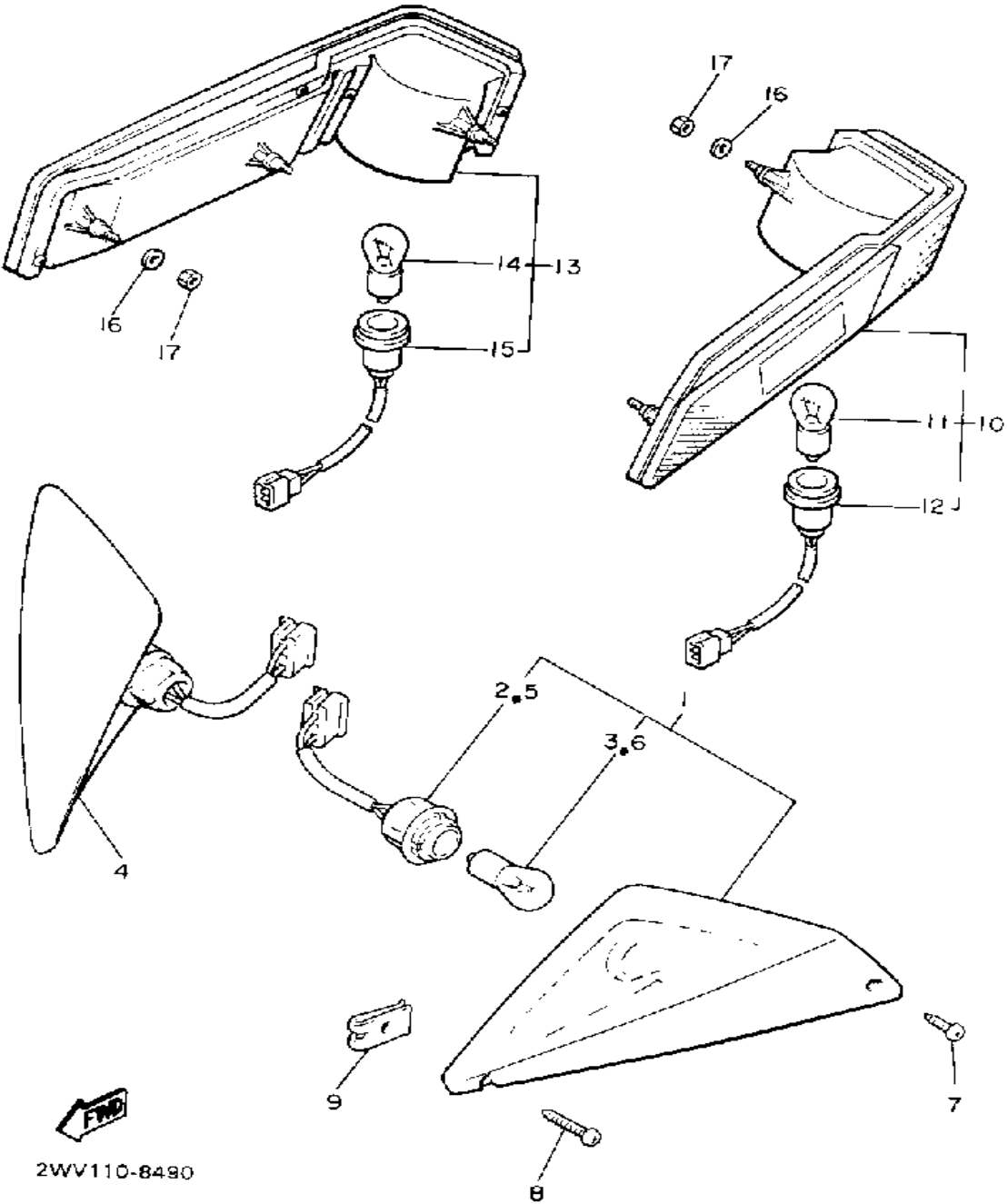
# HEADLIGHT



Ref. No.	Part Number	Description	Qty	Remarks
1	1NL-84303-A0-00	HEADLIGHT UNIT ASS'Y	1	
2	36Y-84397-00-00	. COVER, SOCKET	1	
3	5V2-84314-00-XX	BULB, HL 12V60/55W (2F9-84314-00)	1	LM
4	1NL-8431M-00-00	ROD ASS'Y	1	
5	26H-8431N-00-00	. ROD	1	
6	(26H-8431R-00-00)	STAY, SETTING	1	
7	26H-8431U-00-00	. HOLDER	2	
8	98511-04016-00	. SCREW, PAN HEAD	2	
9	26H-84327-00-00	. WASHER, special	1	
10	26H-8432M-00-00	KNOB ASSEMBLY	1	
11	91702-06055-00	PIN, clevis	1	
12	92990-06600-00	WASHER, PLATE	1	
13	90468-10050-00	CLIP	1	
14	98580-05016-00	SCREW, PAN HEAD	2	
15	92901-05600-00	WASHER, PLATE	2	
16	90480-18276-00	GROMMET	2	
17	90480-14023-00	GROMMET	2	
18	90387-07598-00	COLLAR	2	
19	90201-06059-00	WASHER, PLATE	2	
20	98506-06025-00	SCREW, PAN HEAD	2	
21	92906-06100-00	WASHER, SPRING	2	



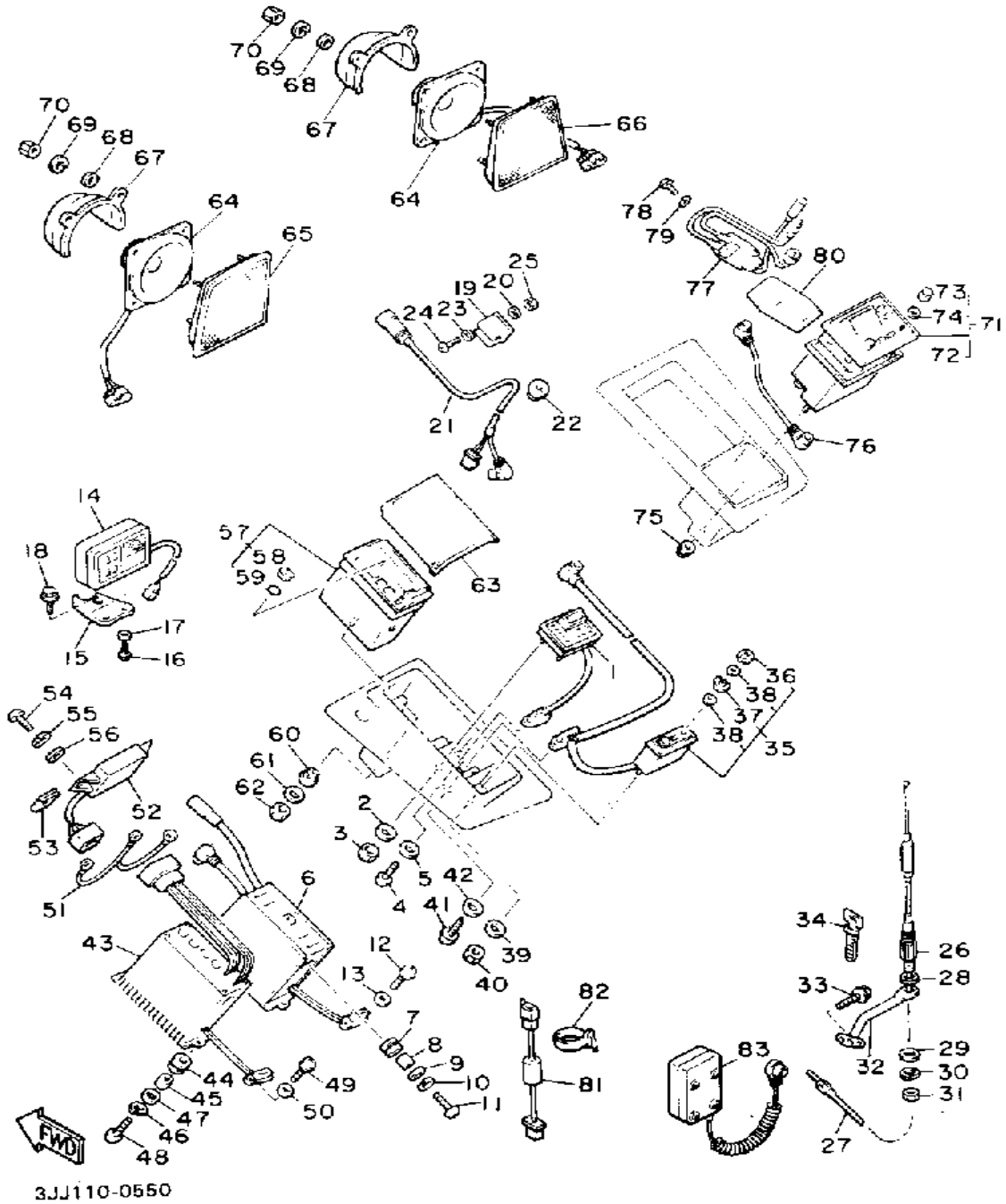
# TURN SIGNAL



Ref. No.	Part Number	Description	Qty	Remarks
1	26H-83310-70-00	FRONT FLASHER LIGHT ASS'Y 1	1	
2	26H-8331E-00-00	. CORD ASS'Y	1	
3	256-84714-61-00	. BULB (12V-27/8W)	1	
4	26H-83320-70-00	FRONT FLASHER LIGHT ASS'Y 2	1	
5	26H-8332E-00-00	. CORD ASS'Y	1	
6	256-84714-61-00	. BULB (12V-27/8W)	1	
7	97780-40120-00	SCREW, TAPPING	2	
8	97702-40614-00	SCREW, TAPPING	2	
9	90183-04027-00	NUT, SPRING	4	
10	1NL-83330-00-00	REAR FLASHER LIGHT ASS'Y 1	1	
11	256-83311-70-XX	. BULB, TS 12V27W	1	
12	1NL-8333E-00-00	. CORD ASS'Y	1	
13	1NL-83340-00-00	REAR FLASHER LIGHT ASS'Y 2	1	
14	256-83311-70-XX	. BULB, TS 12V27W	1	
15	1NL-8334E-00-00	. CORD ASS'Y	1	
16	92906-06200-00	WASHER	6	
17	95306-06800-00	NUT	6	



# AUDIO 1

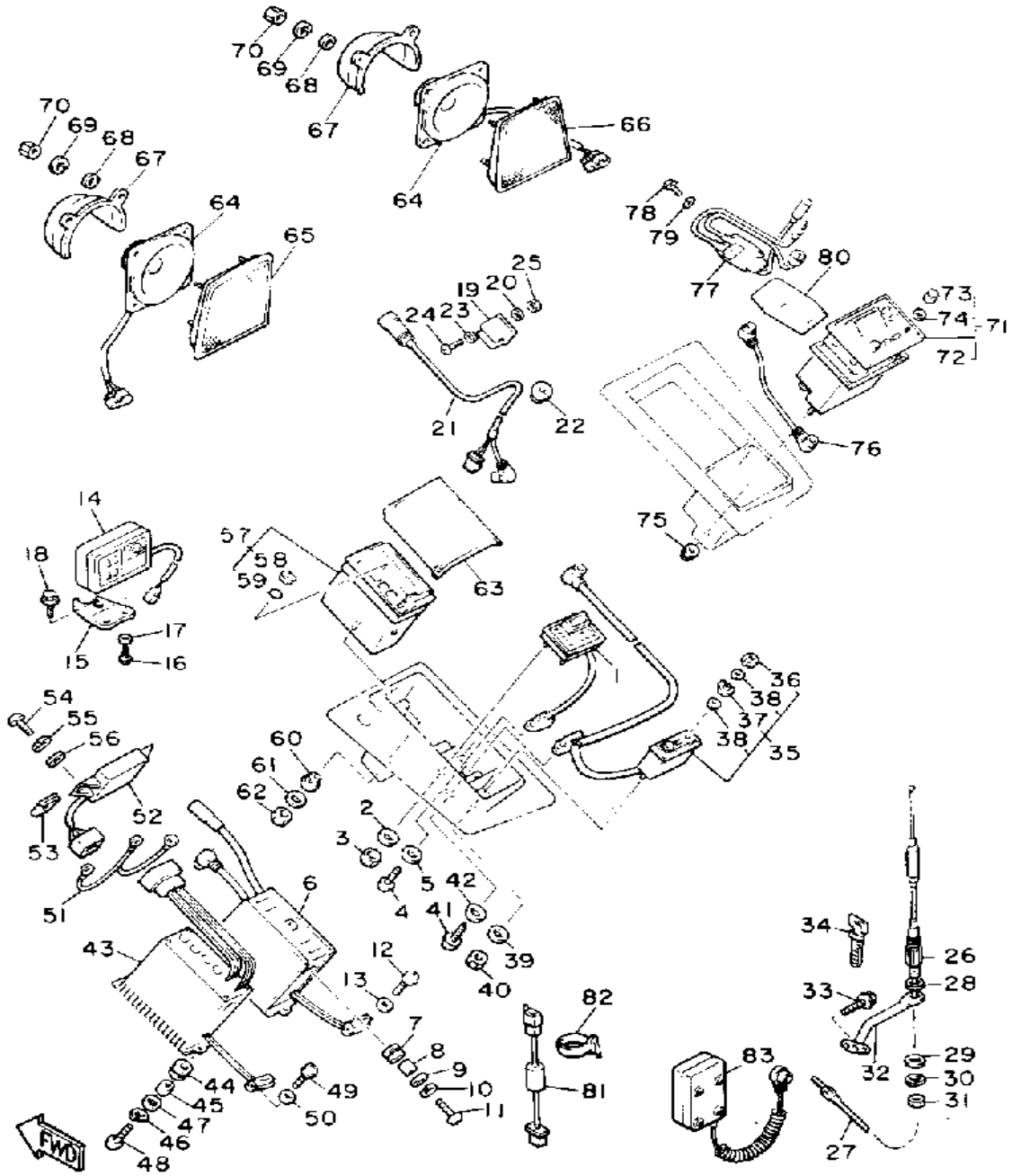


Ref. No.	Part Number	Description	Qty	Remarks
1	26H-88121-01-00	CONTROL, tuner	1	
2	92901-04600-00	WASHER, PLATE	2	
3	95301-04600-00	NUT	4	
4	97780-30512-00	SCREW, TAPPING (97702-30512-00)	2	
5	92902-03600-00	WASHER	2	
6	26H-88122-02-00	TUNER	1	
7	90480-09364-00	GROMMET	4	
8	90387-046N2-00	COLLAR	4	
9	90201-045K9-00	WASHER, plate	4	
10	92901-04100-00	WASHER, SPRING	4	
11	6K8-14125-00-00	SCREW, PAN HEAD (98580-04012)	4	
12	98580-03008-00	SCREW, PAN HEAD	2	
13	92902-03600-00	WASHER	2	
14	1NL-88168-00-00	REMOTE CONTROL 1	1	
15	1NL-88178-00-00	BRACKET, remote control	1	
16	98506-05008-00	SCREW, PAN HEAD	2	
17	92906-05600-00	WASHER, PLATE	2	
18	95026-10016-00	BOLT, FLANGE	1	
19	1NL-88195-00-00	HOLDER, connector	1	
20	90387-041K1-00	COLLAR	2	
21	1NL-88196-00-00	CORD, head set 1	1	
22	1NL-28349-00-00	CAP	1	
23	90201-042E0-00	WASHER, PLATE	2	
24	98506-04018-00	SCREW, PAN HEAD	2	
25	95706-04500-00	NUT, flange	2	
26	26H-88143-09-00	POLE, antenna	1	
28	26H-88149-00-00	DAMPER	1	

CONTINUED ON NEXT FRAME ►



# AUDIO 1

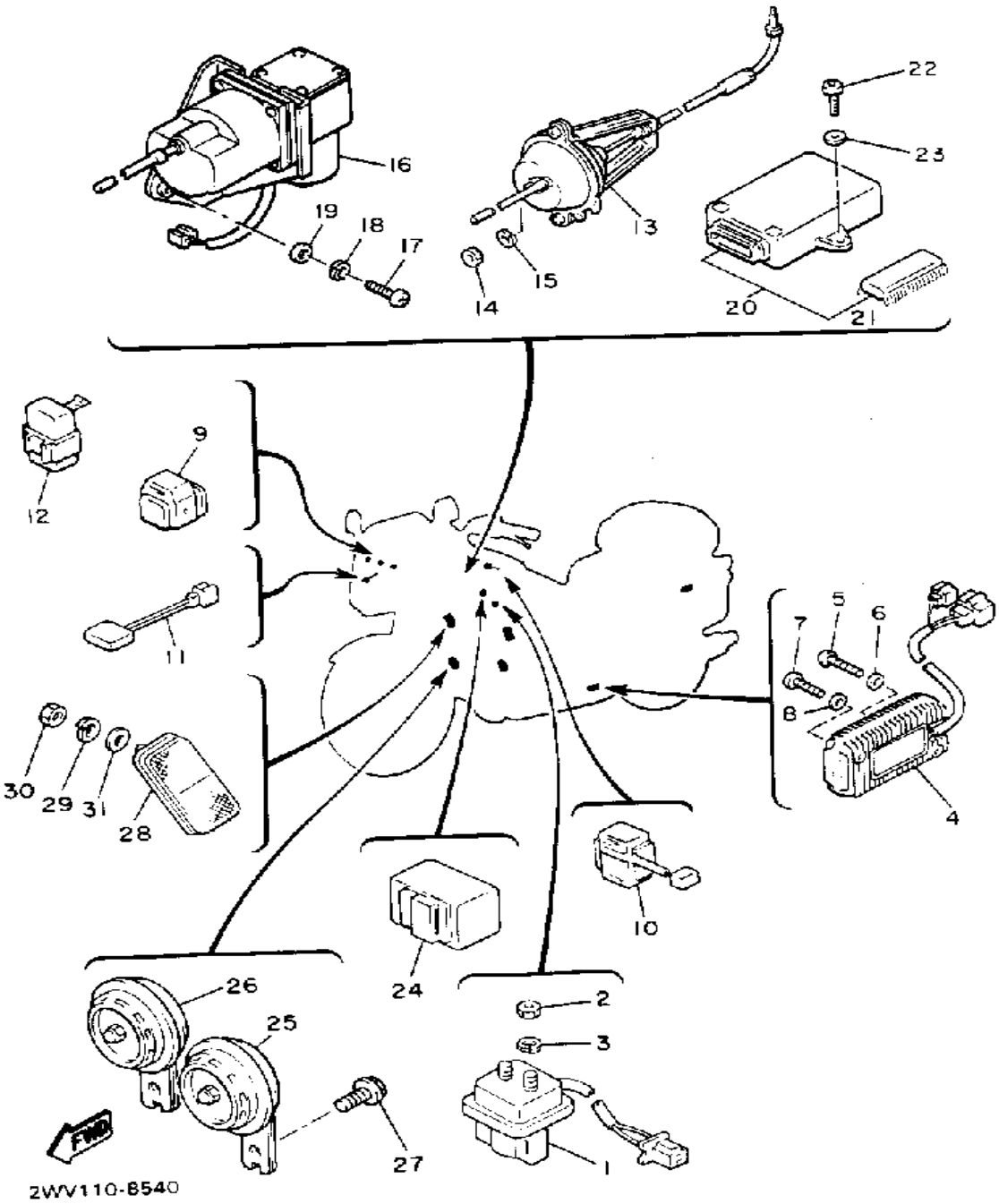


3JJ110-0550

Ref. No.	Part Number	Description	Qty	Remarks
57	26H-88150-01-00	CASSETTE DECK ASS'Y	1	
58	26H-88157-00-00	. BUTTON 1	3	
59	26H-88159-00-00	. O-RING	3	
60	26H-28227-00-00	DAMPER 2	1	
61	90201-056G0-00	WASHER, PLATE	1	
62	95380-05600-00	NUT	1	
63	26H-88153-00-00	COVER, cassette deck	1	
64	26H-88161-00-00	SPEAKER 1	2	
65	26H-88163-00-00	GRILLE, speaker 1	1	
66	26H-88173-00-00	GRILLE, speaker 2	1	
67	26H-88162-00-00	BOX, speaker 1	2	
68	90201-05031-00	WASHER, PLATE	8	
69	92990-05100-00	WASHER, SPRING	8	
70	95380-05600-00	NUT	8	
71	59J-88180-01-00	CB RADIO ASS'Y	1	
72	59J-8818E-00-00	. GASKET, cb	1	
73	59J-8818F-00-00	. KNOB, cb	2	
74	59J-8818G-00-00	. PACKING, cb	2	
75	95701-04500-00	NUT, FLANGE	2	
76	59J-88186-00-00	CORD, cb	1	
77	1NL-88185-00-00	MATCHING BOX ASS'Y	1	
78	98580-04010-00	SCREW, PAN HEAD	2	
79	92901-04100-00	WASHER, SPRING	2	
80	59J-8818A-00-00	COVER, matching box	1	
81	59J-88188-00-00	FILTER, noise	1	
82	12R-82591-00-00	BAND	1	
83	1NL-88169-00-00	REMOTE CONTROL 1	1	



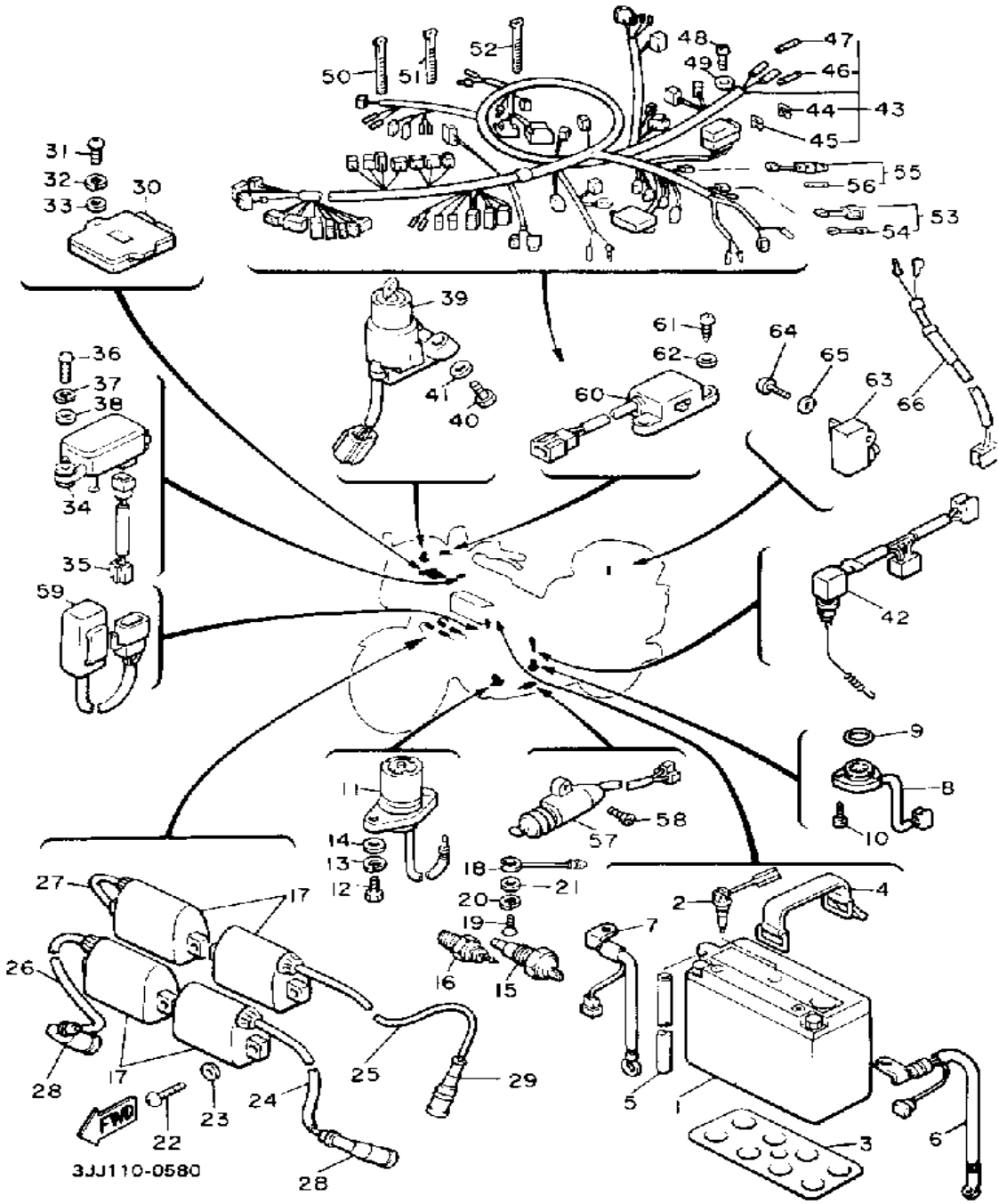
# ELECTRICAL 1



Ref. No.	Part Number	Description	Qty	Remarks
26	1NL-83371-30-00	HORN	1	
27	90105-08705-00	BOLT, WASHER BASED	2	
28	11H-85110-01-00	REFLECTOR ASSEMBLY	2	
29	92990-05100-00	WASHER, SPRING	2	
30	95311-05700-00	NUT	2	
31	92990-05200-00	WASHER, PLAIN	2	



# ELECTRICAL 2

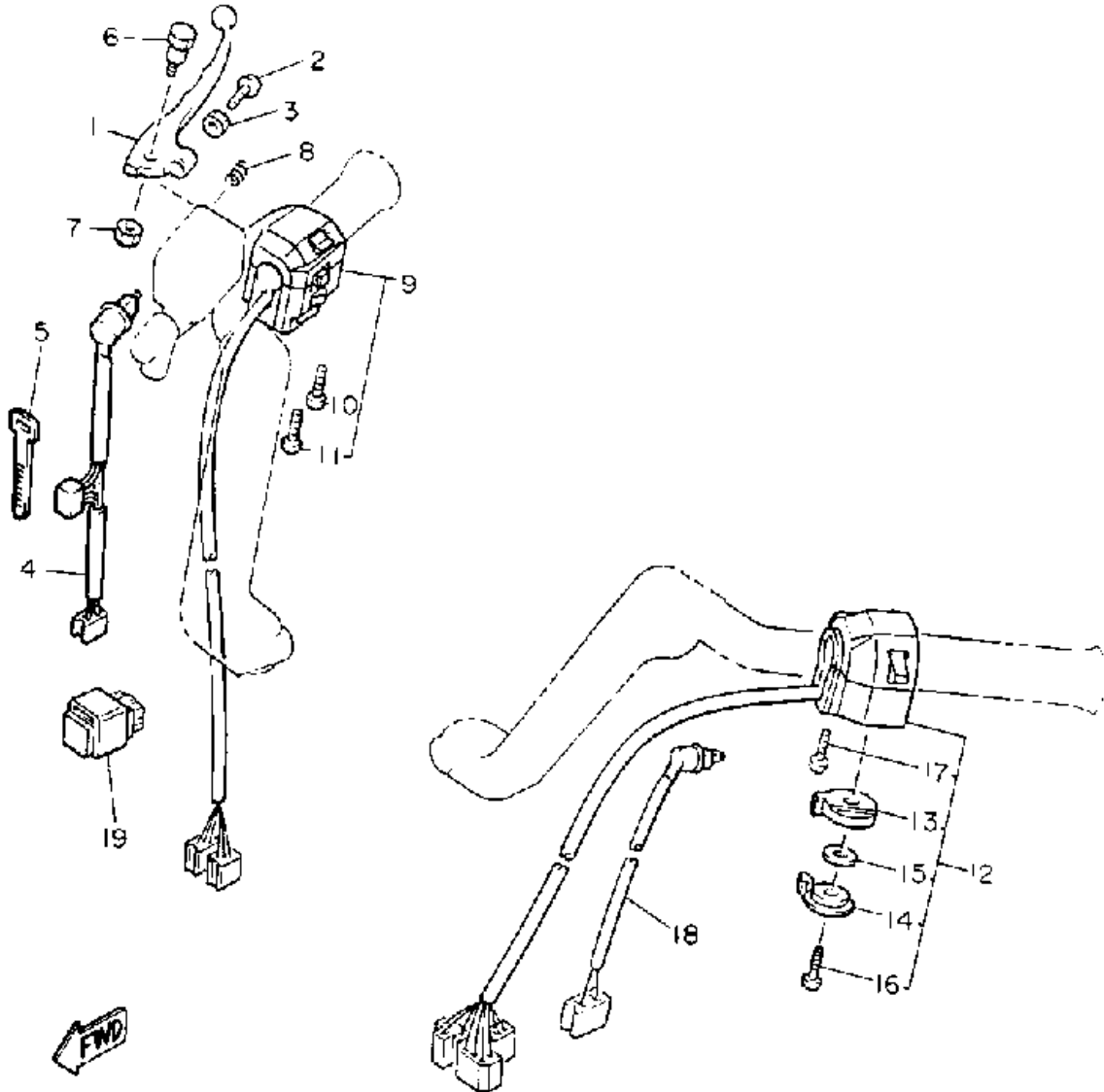


Ref. No.	Part Number	Description	Qty	Remarks
30	3JJ-82305-11-00	IGNITOR UNIT ASS'Y (3JJ-82305-10)	1	
31	98503-06014-00	SCREW, PAN HEAD (92502-06016)	2	
32	92995-06100-00	WASHER, SPRING	2	
33	90201-06M08-00	WASHER, PLATE	2	
34	22N-82380-10-00	SENSOR, PRESSURE	1	
35	26H-82309-00-00	WIRE, sub lead	1	
36	98580-06020-00	SCREW	2	
37	92995-06100-00	WASHER, SPRING	2	
38	90201-065F3-00	WASHER, PLATE	2	UR NON-CALIF.
39	1NL-82501-00-00	MAIN SWITCH STEERING LOCK	1	
40	97313-06016-00	BOLT, HEXAGON	2	
41	92990-06600-00	WASHER, PLATE	2	
42	2WR-82530-00-00	STOP SWITCH ASS'Y	1	
43	(3JJ-82590-00-00)	WIRE HARNESS ASSEMBLY	1	
44	42X-82151-00-00	. FUSE (10A-BL)	2	
45	1NL-82151-00-00	. FUSE (5A-BL)	4	
46	4X7-82151-00-00	. FUSE	4	
47	116-82151-00-00	. FUSE (10A)	3	
48	97780-50520-00	SCREW, TAPPING	1	
49	92990-06200-00	WASHER	1	
50	437-83936-11-00	BAND, SWITCH CORD	2	
51	437-83936-01-00	BAND, SWITCH CORD	1	
52	7H9-87188-00-00	BINDER (XL540J)	12	
53	26H-82150-01-00	FUSE HOLDER ASS'Y	1	
54	707-82151-00-00	. FUSE (40A)	3	
55	4X7-82150-00-00	FUSE HOLDER ASSEMBLY	1	
56	1A0-82161-00-00	. FUSE (20A) (148-82151-00-00)	2	

CONTINUED ON NEXT FRAME ►



# HANDLE SWITCH - LEVER



2WR110-8560

Ref. No.	Part Number	Description	Qty	Remarks
1	26H-83922-10-00	LEVER 2 (26H-83922-01)	1	
2	90149-06131-00	SCREW	1	
3	90170-06010-00	NUT	1	
4	2WR-83980-01-00	FRONT STOP SWITCH ASS'Y (2WR-83980-00)	1	
5	437-83936-01-00	BAND, SWITCH CORD	1	
6	90109-06577-00	BOLT	1	
7	95616-06100-00	NUT, U	1	
8	90501-10510-00	SPRING, COMPRESSION	1	
9	1NL-83972-50-00	SWITCH, handle 4	1	
10	98506-05040-00	. SCREW, PAN HEAD	1	
11	98506-05060-00	. SCREW, pan head	1	
12	1NL-83972-00-00	SWITCH, handle 4	1	
13	10M-83942-00-00	. COVER, STARTER	1	
14	10M-83941-00-00	. LEVER, STARTER	1	
15	90209-10131-00	. WASHER	1	
16	98506-06008-00	. SCREW, PAN HEAD (92506-06008-00)	1	
17	98506-05035-00	. SCREW, PAN HEAD	2	
18	41V-82917-01-00	SWITCH (41V-82917-00)	1	
19	25G-81950-01-00	RELAY ASSEMBLY	1	



TORQUE VALUES				
APPLICATION	SIZE	m-kg	ft-lb	NOTES
Front Axle Nut	M14	10.5	75	
Front Axle Holder Nut	M8	2.0	14	
Rear Axle Nut	M18	15.0	110	
Rear Axle Pinch Bolt	φ			
Clutch Nut	M20	7.0	50	
Drain Plug	M14	4.3	31	
Flywheel Nut	M10	13.0	94	
Cylinder Head Cover	M6	1.0	7.2	
Cylinder Head	M10	4.3	31	
Engine Mounting Bolts: Front	M10	4.2	30	
Front Lower Bracket	M10	4.2	30	
Rear	M12	7.0	50	
Pivot Shaft				
Spark Plug		1.75	12.5	

<sup>1</sup> Use Lock Washer

<sup>2</sup> Use Loctite<sup>®</sup>

<sup>3</sup> Use Motor Oil

<sup>4</sup> Use Motor Oil on Washers

<sup>5</sup> Stake

<sup>6</sup> Left-Hand Threads

φ Does not apply to this model

## Yamaha XVZ13 Venture [OEM parts & online schematics](#)

PAGE 2 OF 2

ROUTE TO:

SERVICE

PARTS

WARRANTY

SALES